

THS185

Pneumatic Rope Grip

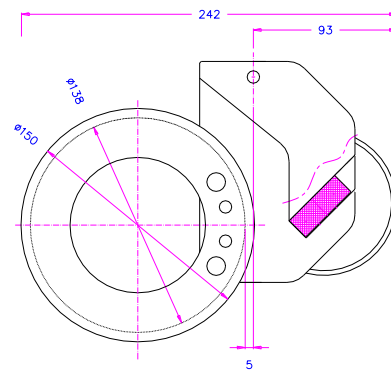
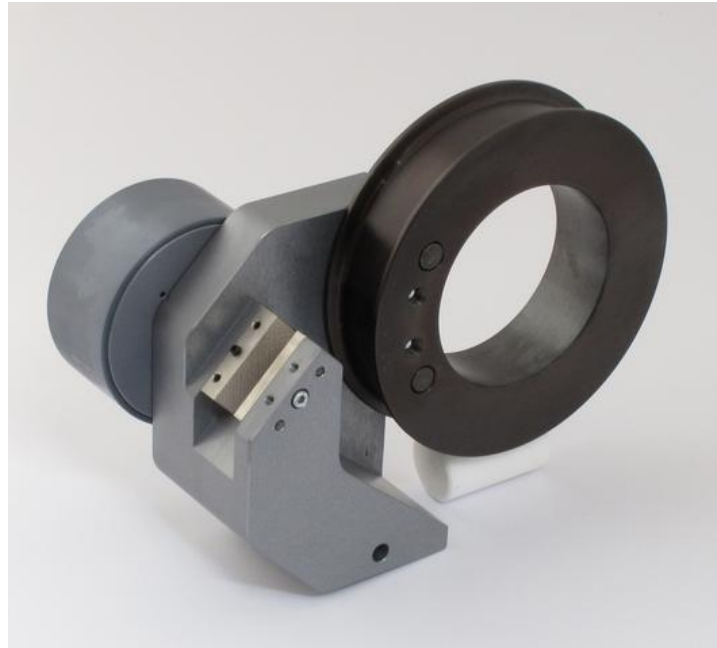
THS185-20

20kN for ropes 0-10mm diameter
3.5kN keeping force with 7 bar
(or 8kN with 16 bar with TH216)

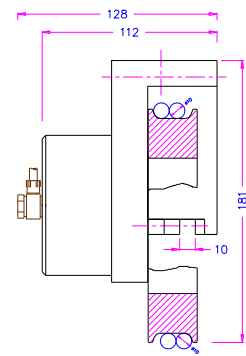
4,65kg

Adapter Af15.8 or Af20

1 pair



20kN 4.65kg



THS185-20

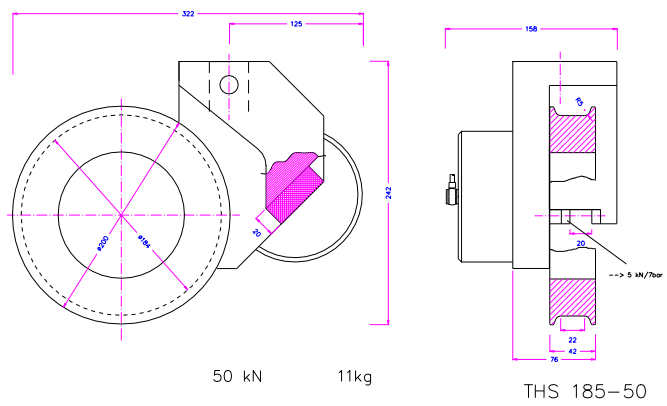
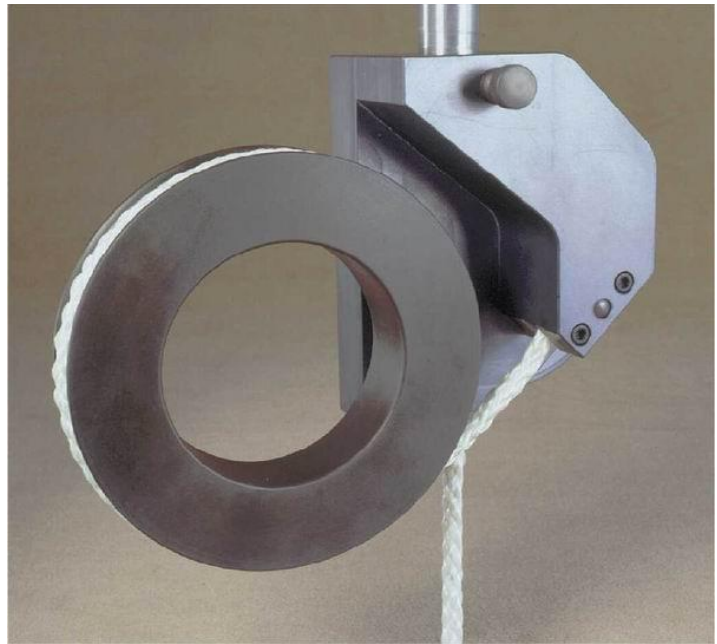
THS185-50

50kN for ropes 0-20mm diameter
8kN keeping force with 7 bar
(or 18kN with 16 bar with TH216)

11kg

Adapter Af31.8 or Af30

1 pair



Special versions

THS185-50-S23

With flat roller



Accessoires

TH205-1

www.grip.de/pdf/TH205_datasheet.pdf

Food pedal + tubes

TH216

www.grip.de/pdf/TH216_datasheet.pdf



16bar silent compressor

www.grip.de/G11