

Pincer grip with spring

Small pincer grips – spring forced

Versatile, easy to use. Suitable for small forces, pull of tests, tear test of components, adhesive bonds, plastic weldings (paper, plastics, rubber) etc. Chain mounting for flexible positioning.

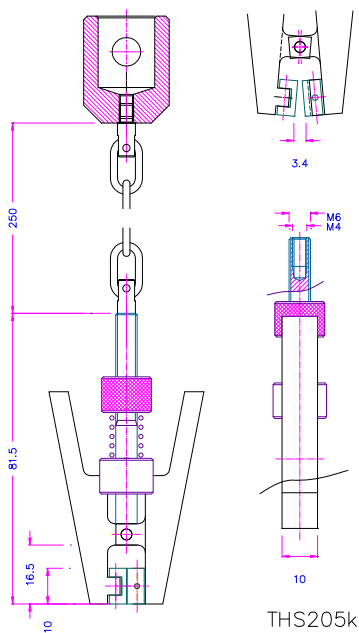
THS205k: Standard with chain

THS205k-F: Without chain (adapter is mounted directly on the pincer grip).

• Item No.	THS205k
• Tensile force	20 N
• Opening	0 – 3.4 mm
• Jaws	Smooth (blank) jaws
• Clamping surface H x W	10 x 10 mm
• Body	Aluminium, anodized
• Temperature range	0 up to +180°C
• Weight	98 gram
• Scope of delivery	THS205k: 1 pincer grip incl. chain THS205k-F: 1 pincer grip without chain



THS205k



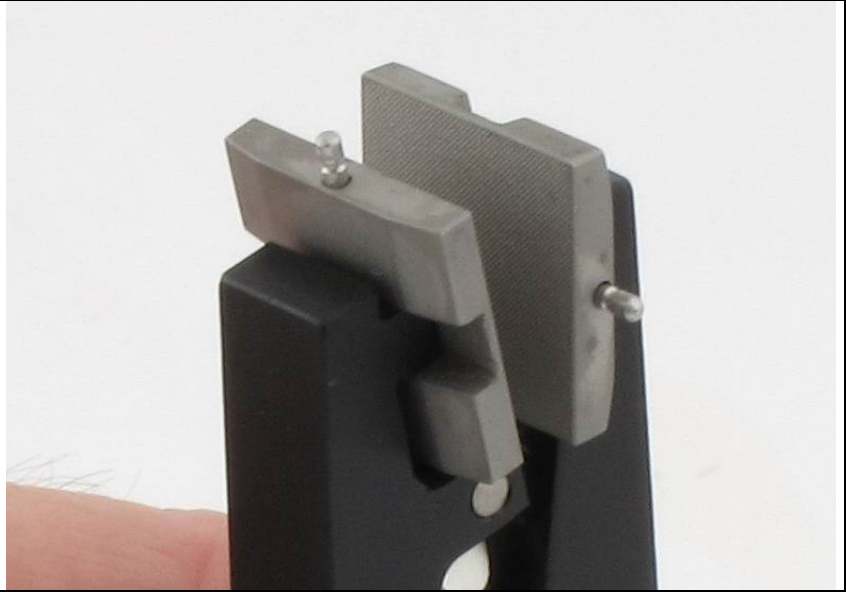
THS205k



THS205k-F



TH205k+BP20



TH205-BP20 Ppyramid jaws 20x20mm

Similar grips



THS470
[Datasheet](#)



THS501 (pneumatic)



THS341
[Datasheet](#)



THS7 (wedge grip)