

THS223 Compression platen

Self-aligning and fixable platen.
Spherically seating - the platen adjusts to the specimen.
It is also possible to fix the platen at the required position.

THS223k: for couplings Ø 12 – 25 mm

THS223g: for couplings Ø 30 - 40 mm

- Applicable for metal specimens, concrete etc
- Hardened steel 58 HRC, phosphate coating
- Temperature range: 0°C - +280°C
Nickel plated: -70°C - +280 °C (on request)

THS223i: for couplings up to Ø 8 mm

- For low weight specimens (packaging material etc)
- Aluminum, anodized
- Temperature range: -70°C - +180°C

Ordering Information

Scope of delivery: 1 platen



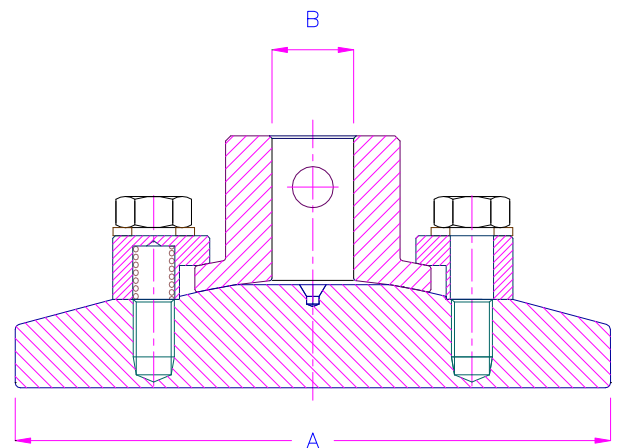
THS223i for couplings up to 8 mm Ø		
Item number	Diameter	Weight
THS223i-56	56 mm	~ 60 gram
THS223k for couplings 12 - 25 mm Ø		
Item number	Diameter	Weight
THS223k-56	56 mm	~1.27kg
THS223k-96	96 mm	~1.4kg
THS223k-116	116 mm	~1.7kg
THS223k-156	246 mm	~2.7kg
THS223g for couplings 30 - 40 mm Ø		
Item number	Diameter	Weight
THS223g-056	56 mm	~5.2kg
THS223g-156	156 mm	~5.1kg
THS223g-196	196 mm	~6.4kg

Other dimensions on request

Description of Item Number THS223-A-B

A Diameter of platen [mm] 56, 96, 116, 156, 196

B Adapter/ Coupling e.g.
 THS223i: [mm] 8 etc
 THS223k: [mm] 15.9, 20 - male [mm] 20, 22 etc
 THS223g: [mm] 30, 31.8, 32, 36, 40 - male [mm] 31.7 etc



The max. capacity depends on the size of coupling (B).

The rigid platen TH23 ([Datasheet TH23](#)) can be combined with THS223 platens.

Ordering Information for the combination rigid + self adjusting platen: 0.5 pair TH23 + 1x THS223



THS223i-56



THS223k-116



THS223g-56

Examples for other versions and special solutions



THS223g-156-Am317



THS223k-116-NI
Temperature range -70°C-280°C



THS223k-296



THS223g-396x596



THS223k-D200-L6-20-AL



THS223s-136



THS223g-150x180



THS223k-114x114-AL



THS223i-100x100