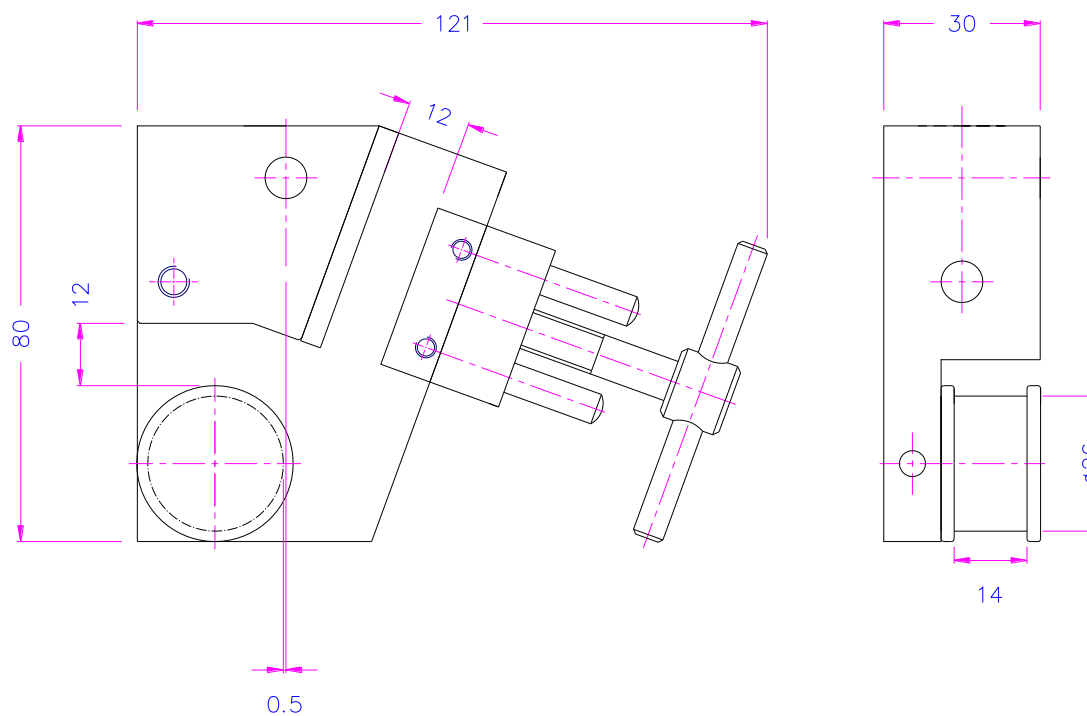


ROPE GRIP

Item no.:	THS255-SK
Max load:	10 kN
Coupling:	Af15.9 mm Further couplings on request
Sample Ø:	0 – 5 mm
Guide roller Ø:	26 mm
Jaws:	19x32 mm (hwx) Pyramid (serrated) surface
Body:	Steel, nickel-plated
Weight:	ca. 0.9 kg (incl. jaws)
Temperature range:	-70 ... +350°C Further temperature ranges on request
Scope of delivery:	1 pair incl. jaws



Jaws for THS255:

Pyramid (serrated) jaws

- Pyramids 1x45°
- Steel 58 HRC, hardened
- Nickel-plated



Further jaw surfaces on request

Diamond jaws

- Coated with synthetic diamonds
- Nickel-plated



Video <https://youtu.be/OnZOtN1F0fU>