

THS318

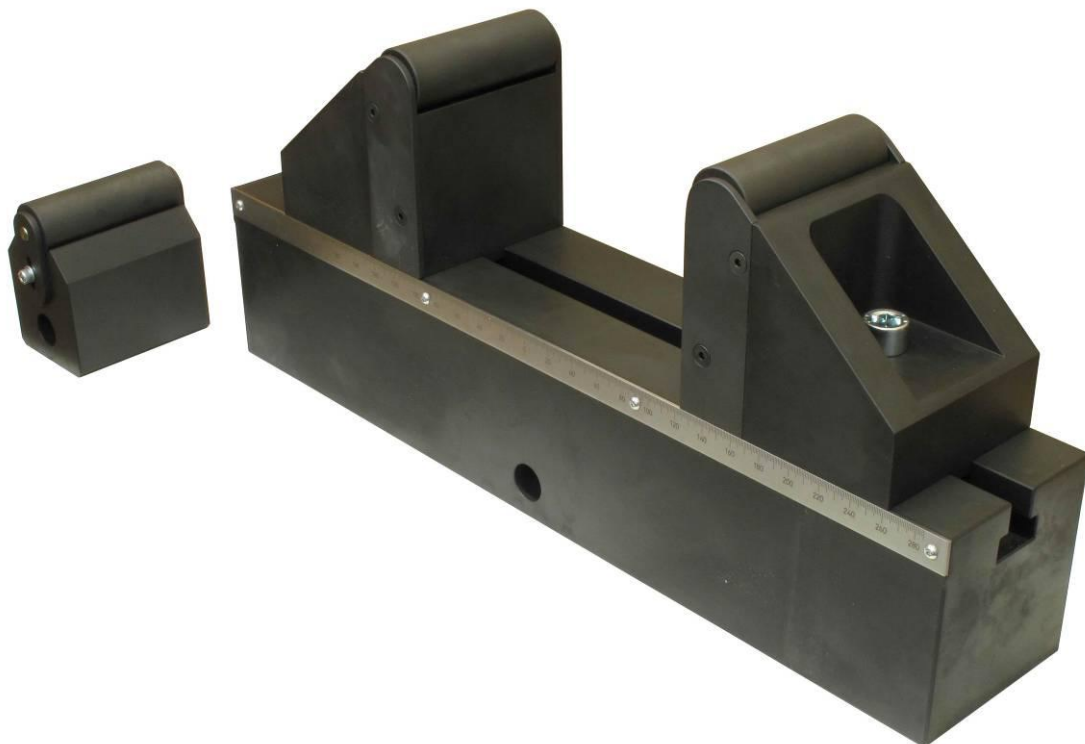
Heavy
3 point bending fixture for bigger load
600kN 1000kN 2000kN

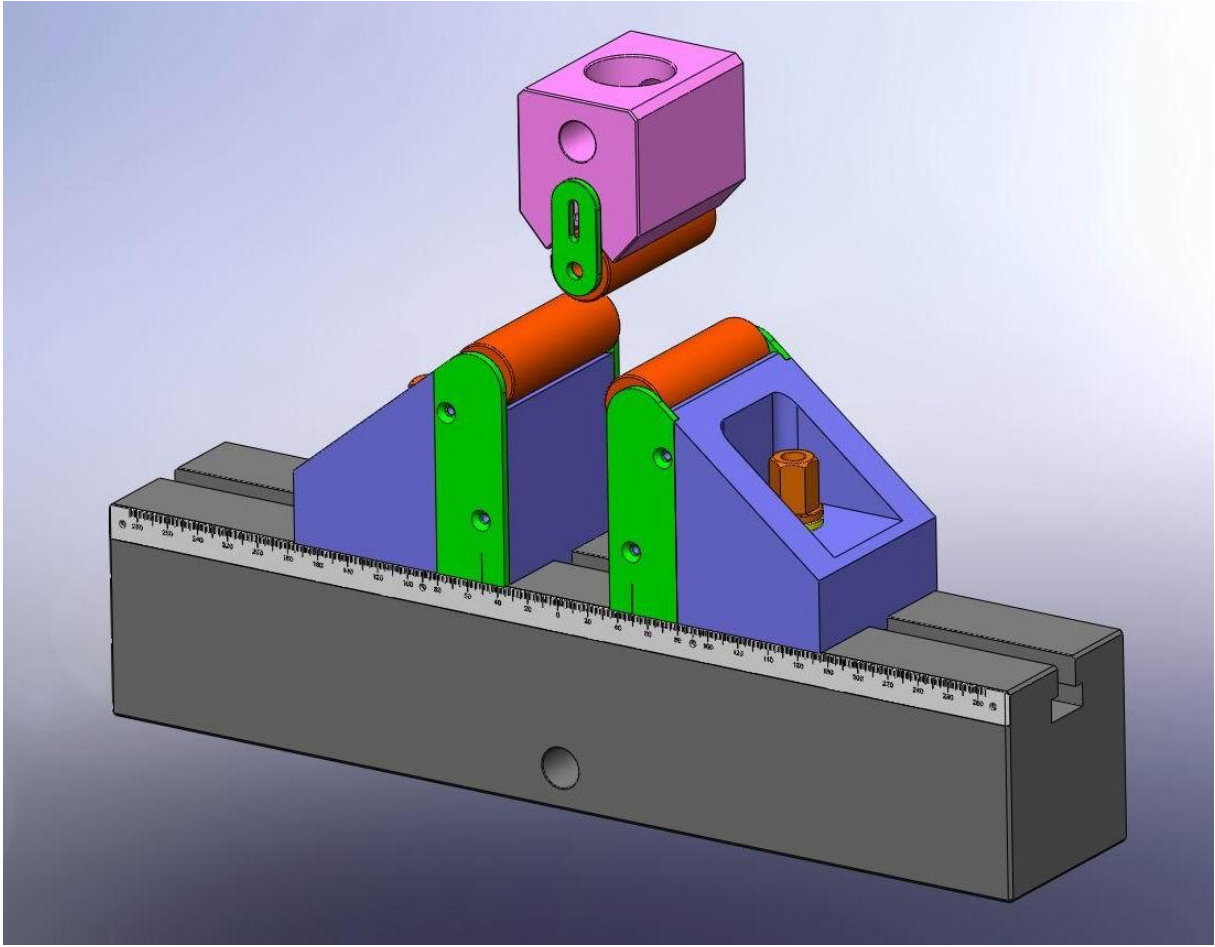
Steel black
Roller hardened
Symmetric scaling

THS318-A-B-C-D

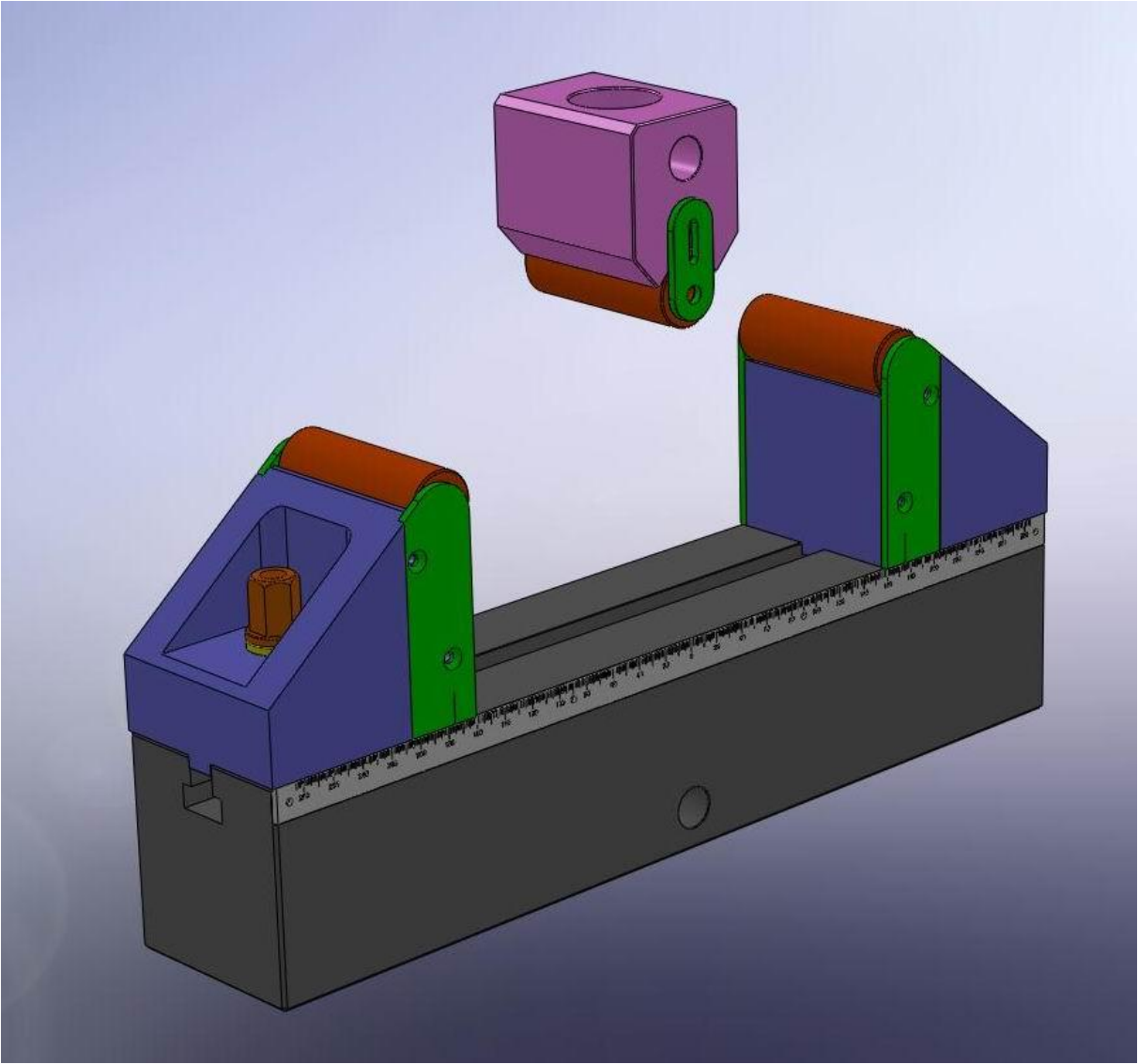
A = width 120, 160, 200mm
B = length of bar 600, 800, 1000, 1200
C = Radius of Roller 10, 15, 20, 25, 30
D = height of supports 160, 200

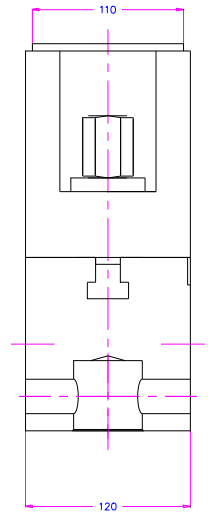
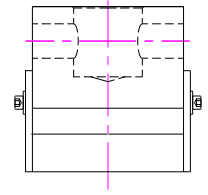
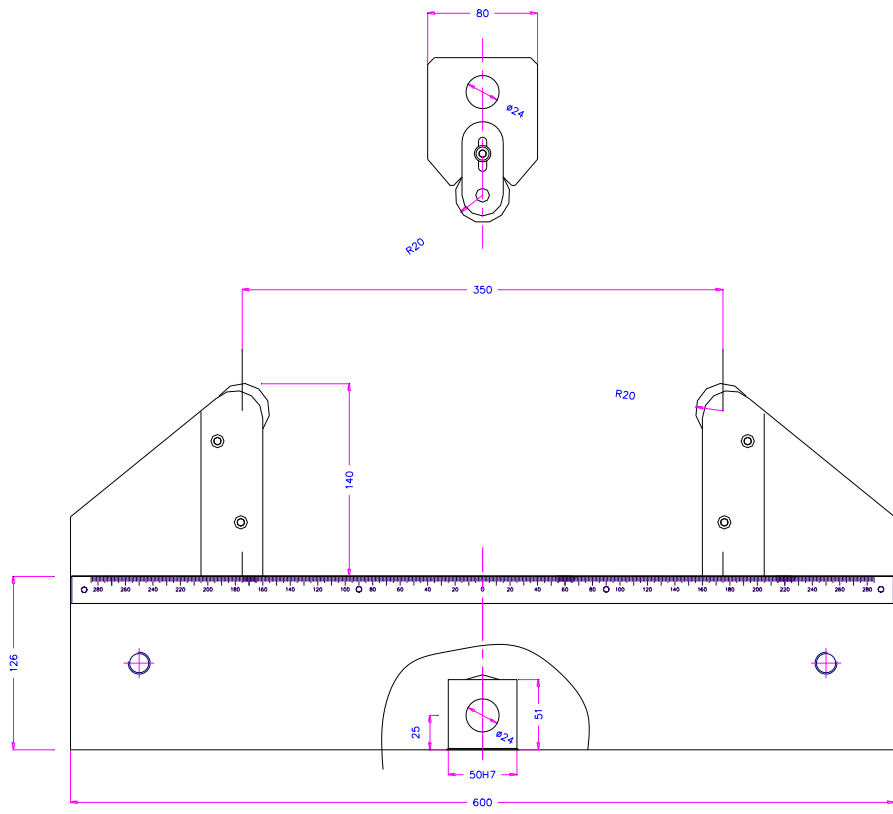
4P = 4 point

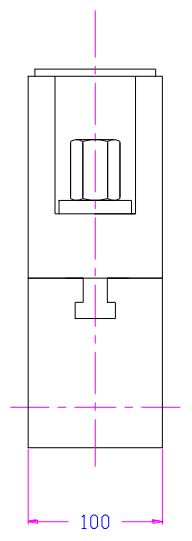
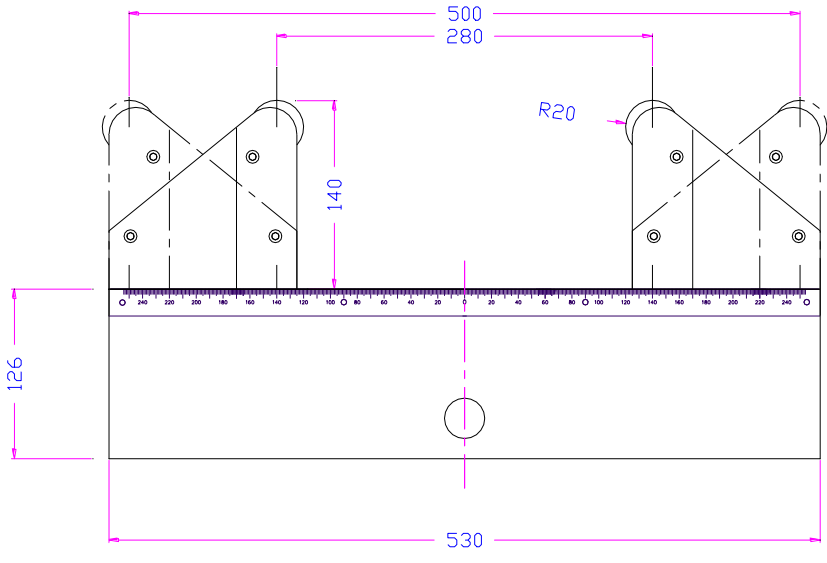
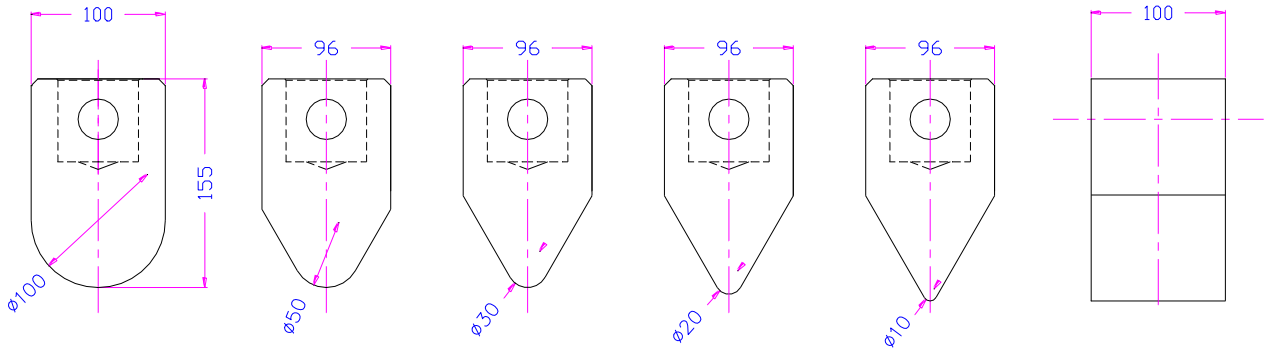


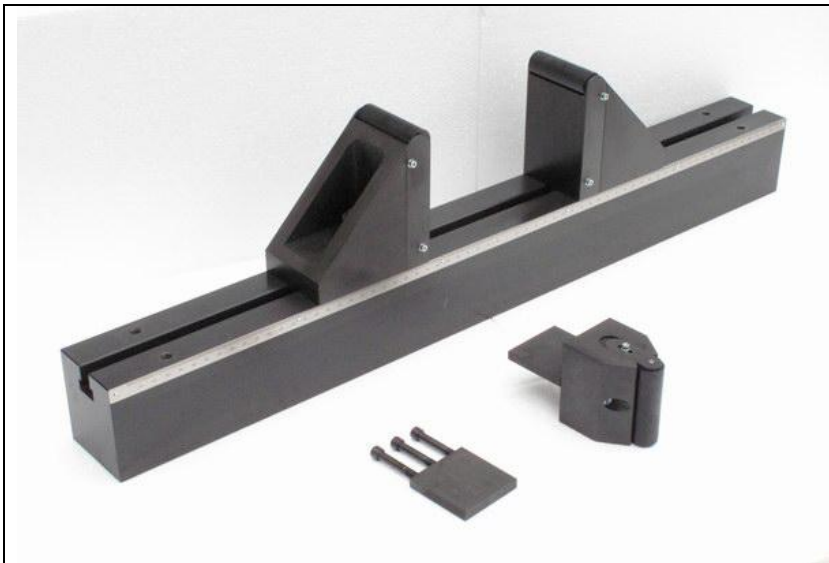
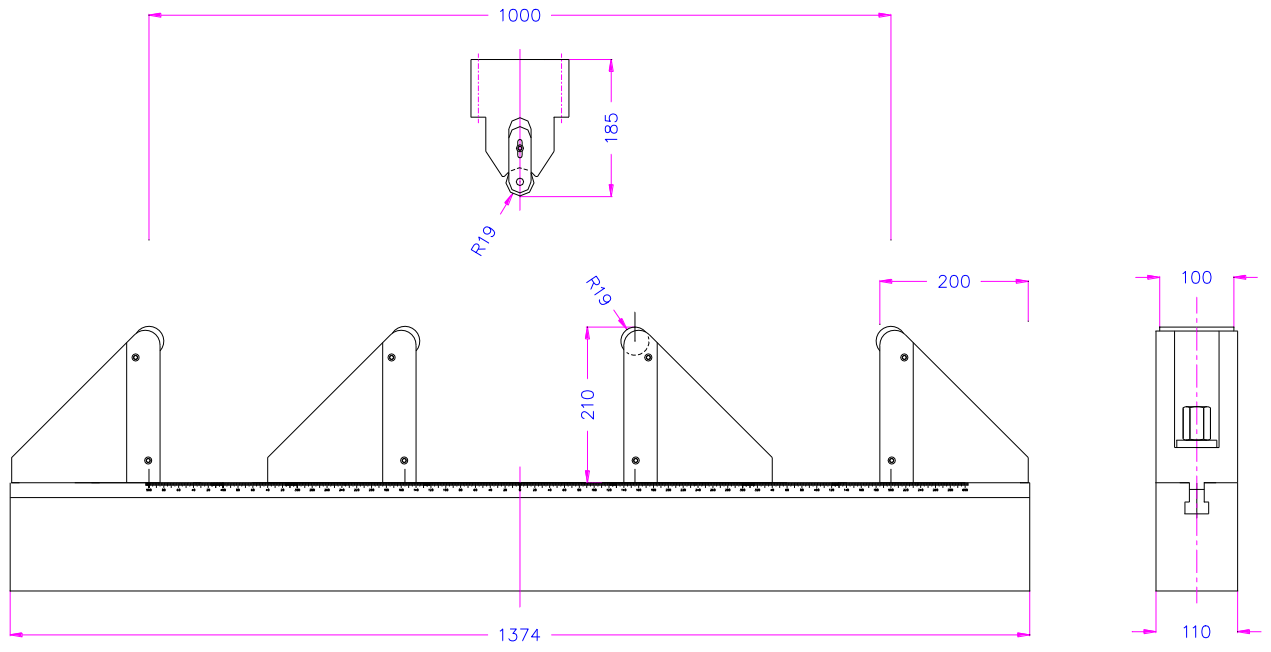


THS318-120-600-R20

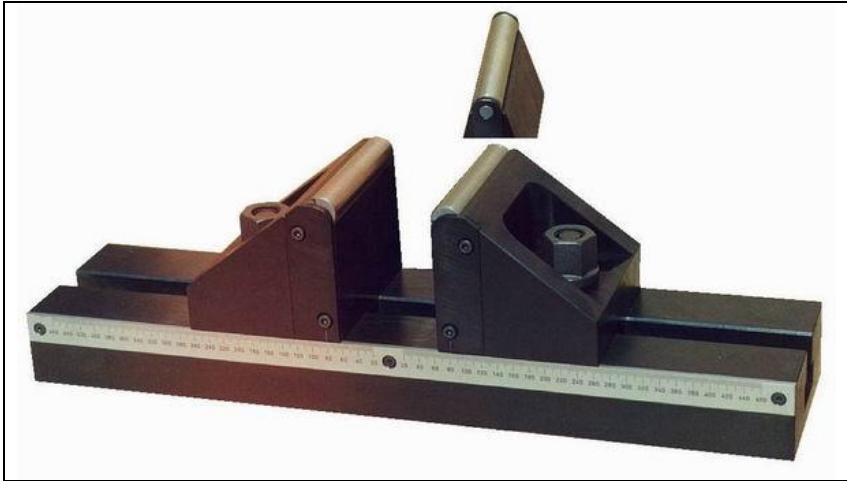








THS318-120-1000-R15-H200



THS318-120-800-R15