

# THS327

Cardan Adapter

knuckle joint

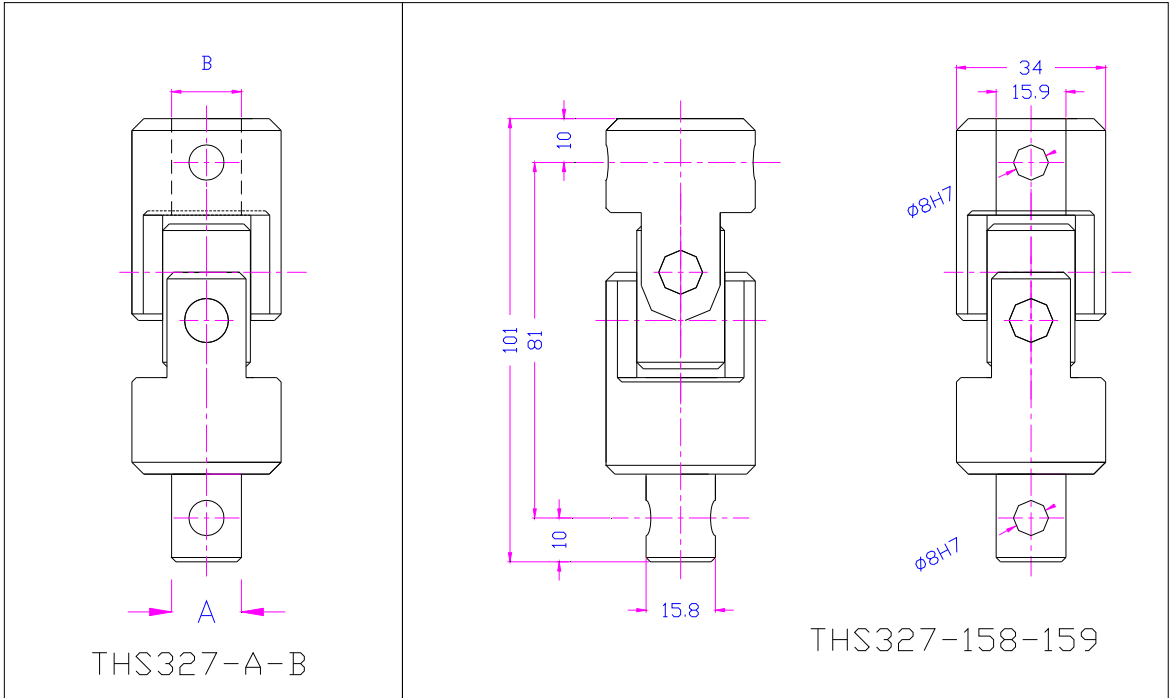
only for tension

Scope of delivery : 1



THS327-158 THS327-317

Nr	description	Adapter Diameter [mm]	Max Diameter [mm]	Max Length [mm]	Max force [kN]	Weight [Gramm]
THS327-159	Cardan joint adapter male and female 15.9 mm ( 5/8")	15.98/15.9	34	95	20	
THS327-20	Cardan joint adapter male and female 20 mm	20/20	39	95	20	450
THS327-318	Cardan joint adapter male 31.7 and female 31,8 mm ( 10/8")	31.7/31.8	58	180	50	
THS327-32	Cardan joint adapter male and female 32 mm	32/32	58	166	50	
THS327-36	Cardan joint adapter male and female 36 mm	36/36	58	177	50	
THS327-40	Cardan joint adapter male and female 40 mm	40/40	88	246	100	
THS327-50	Cardan joint adapter male and female 50 mm	50/50	88	236	200	
THS327-60	Cardan joint adapter male and female 60 mm	60/60	106	283	250	



THS327-158-159

Male diameter 15.8mm  
Pin Hole 8H7

Female diameter 15.9  
Pin Hole 8H7

Load 20kN



THS327-158-M-159

Male 15.8mm  
Locking nut

Female 15.9 mm

20kN

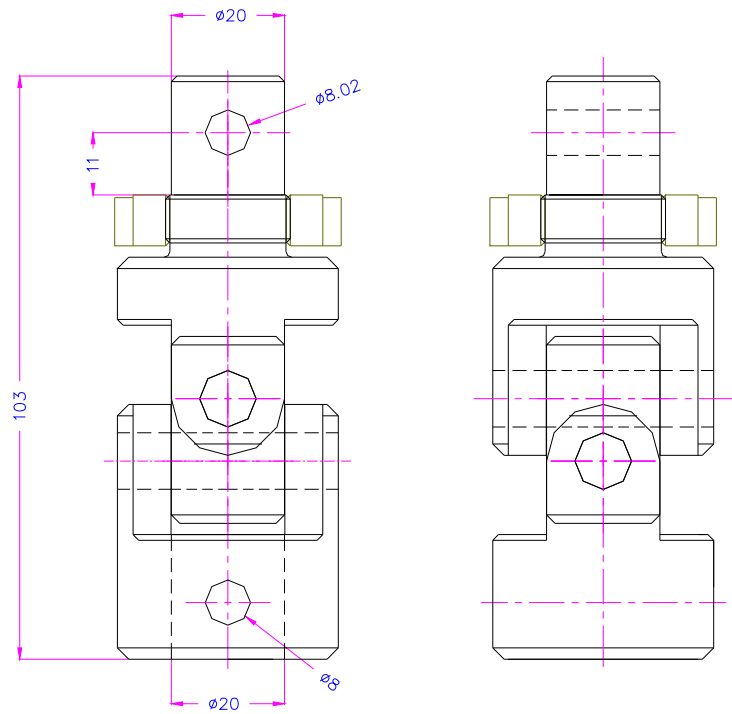


Special Versions

THS327-20-M-20

with lock Nut

20mm



THS327-M16-iM16

special



Special

THS327-2510-M3175L100

Female 25mm  
Pin hole 10

Male  
Pin diameter 3175  
Length 100mm



THS327-M10-159  
THS327-M16-317H2



THS327-M5-M5  
Alu Light version  
500N



THS327-36-36

36/18

50kN



THS327-60-G40

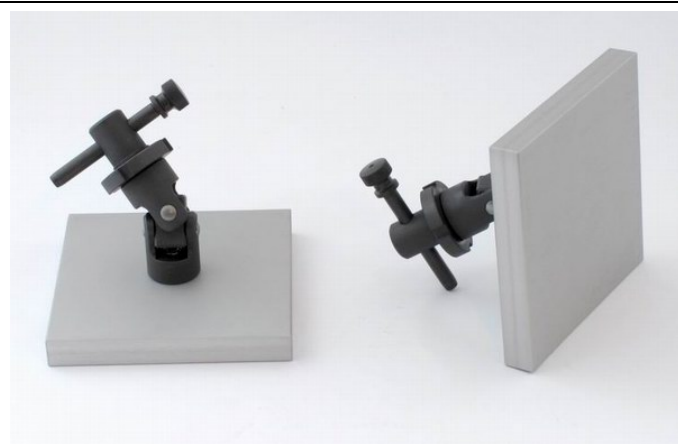
Gap 40mm

50kN



THS327-Am158-Am1665

Male Am158  
Male Am1665  
20kN



TH36-150+THS327-159



THS325-2-02 + THS327-159



TH16-D22-THS327-158-EX

See also [www.grip.de/G17](http://www.grip.de/G17)

MT8.9.2016