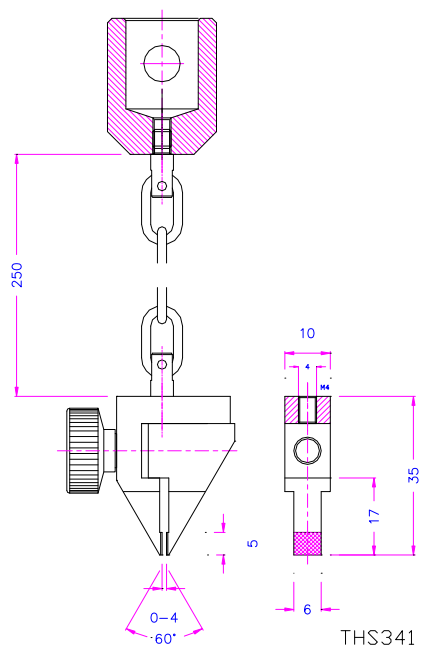


Small pincer grip 100 N

Versatile, easy to use. Applicable for small components, for example electronic components etc.
The chain mounting enables flexible positioning. THS341 Type -F: The coupling is directly mounted on the grip (without chain).

Clamping surfaces serrated on both sides (pyramids).

• Item No.	THS 341
• Tensile force	100 N
• Opening	0 – 4 mm
• Jaws	Pyramid jaws (serrated), 0.6x45°
• Clamping surface HxW	5 x 6 mm
• Body	Hardened steel, phosphate coated
• Temperature range	0 to +130°C -70 to +280°C (THS341-Ni)
• Weight	95 gram
• Scope of delivery	1 piece



Examples for other versions



THS341 with M8 coupling



THS341-M6-F



THS341-Af159-F



THS341-15 special design
clamping surface 15mm wide

Similar grips



THS470
[Datasheet](#)



THS501 (pneumatic)



THS205k



THS7 (wedge grip)