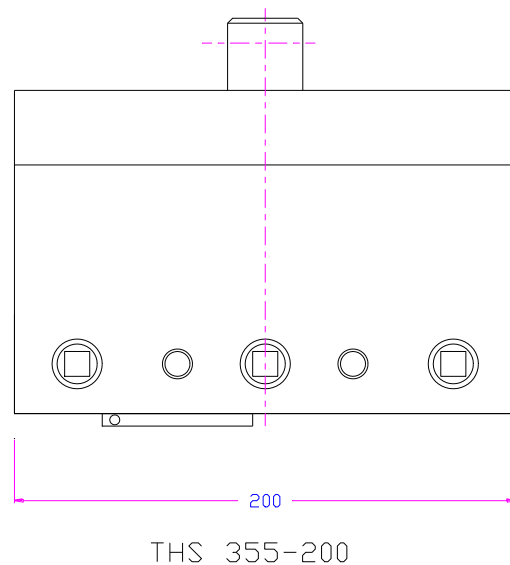
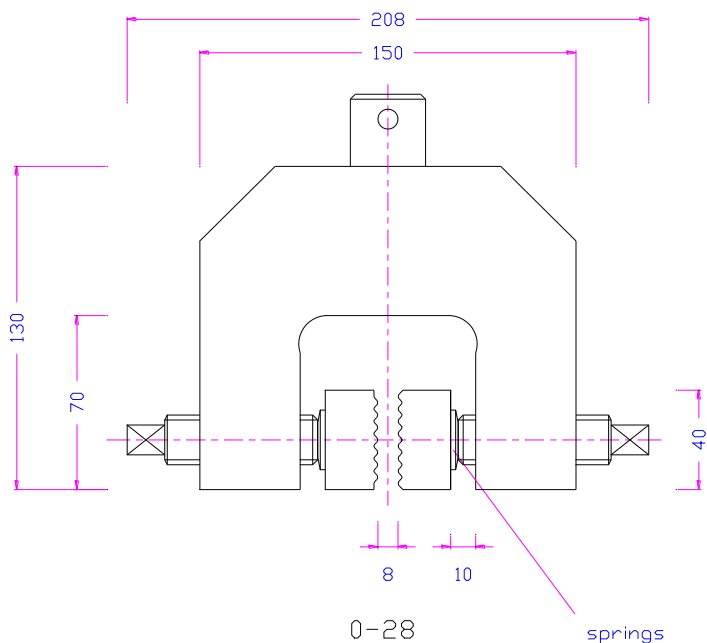


THS355 Vice grip with 3 screws

Item No.:	THS355
Max. Load:	50 kN
Jaws:	Wave jaws 200 mm wide, for textile samples
Opening:	0 – 28 mm
Coupling size:	On request
Body:	Aluminum
Temperature range:	0° ... +70°C
Weight:	12 kg with jaws
Scope of delivery:	1 pair without jaws



Jaws for THS355

Item No.:	THS355-BW200
Wave jaws 200 mm wide,	
Scope of delivery:	1 set = 4 jaws



Examples for customized solutions

Item No.: THS355-SS

Stainless steel version



Test videos



<https://youtu.be/-Y6pj98soqk>