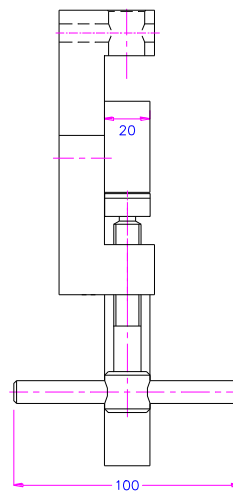
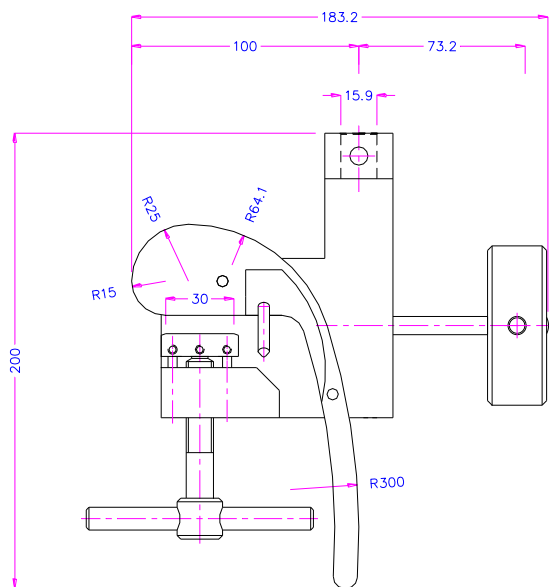


## SMALL RIBBON GRIP

- Bollard style grip applicable for testing of light ropes, cords, yarn, etc.
- Available as pneumatic and mechanical versions
- Special versions on demand

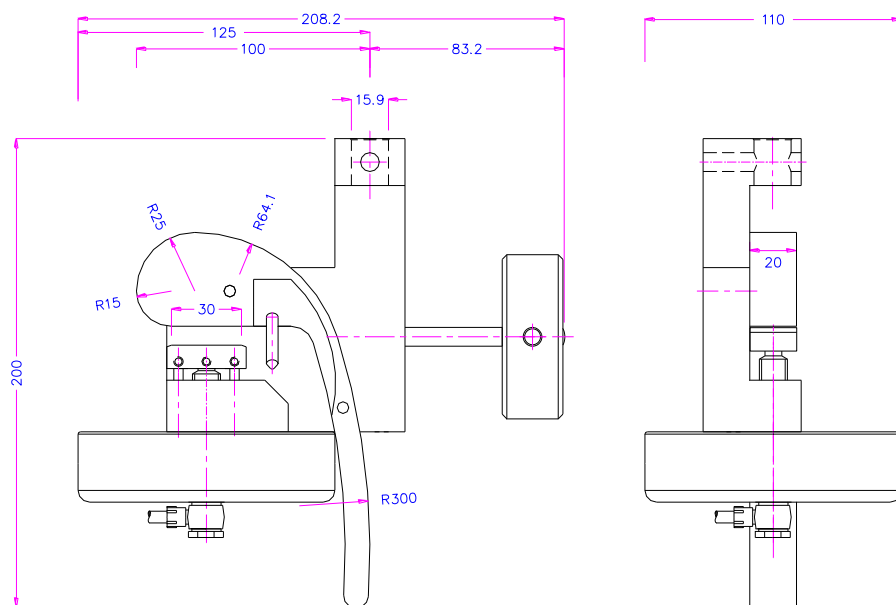
Item-No.:	THS375-5
Clamping force:	5 kN
Sample size:	Rope Ø: 0-3 mm Ribbon width: max. 20 mm
Temperature range:	0°C ... +70°C (extended temperature range on demand)
Bollard:	Steel
Body:	Aluminum
Standard coupling:	Af159 (other couplings on request)
Weight:	Grip with balance weight incl. jaws: ca. 2.2 kg Grip without balance weight incl. jaws: ca. 1.3 kg
Scope of delivery:	1 pair of grips without jaws Can also be ordered as a single grip (0.5 pair)



THS375-5



<b>Item-No.:</b>	<b>THS375-5+Ko</b>
Clamping force of rod (70 mm Ø):	2.6 kN at 7 bar
Sample size:	Rope Ø: 0-3 mm Ribbon width: max. 20 mm
Temperature range:	0°C ... +70°C (extended temperature range on demand)
Bollard:	Steel
Body:	Aluminum
Standard coupling:	Af15.9 (other couplings on request)
Pneumatic connection:	Internal thread 1/8"
Weight:	Grip with weight incl. jaws: ca. 2.4 kg Grip without weight incl. jaws: ca. 1.6 kg
Scope of delivery:	1 pair of grips without jaws Can also be ordered as a single grip (0.5 pair)



THS375-5-Ko

**Jaws for THS375\*:**

Item-No.	Surface	Clamping surface (H x W)	Weight per set
THS375-5-BB	Blank	30 x 20 mm	Ca. 0.06 kg
THS375-5-BP	Pyramid	30 x 20 mm	Ca. 0.06 kg
THS375-5-BD	Diamond	30 x 20 mm	Ca. 0.06 kg



Blank jaws



Pyramid jaws



Diamond jaws

Scope of delivery: 1 set = 2 jaws

\*Jaws with other dimensions and surface coatings on request

**Accessories for THS375-5+Ko:**



**TH205-1  
Foot pedals**

None-locking: The grip jaws open by pressing the foot pedal and close after removing the foot from the pedal.  
Scope of delivery: 1 pair of foot switches including tubes and fittings



**TH205-2  
Foot pedals**

With locking function: The grip jaws open by pressing the foot pedal and remain opened after removing the foot from the pedal. The jaws close by pressing the pedal one more time.  
Scope of delivery: 1 pair of foot switches including tubes and fittings



**TH205-PR  
Pressure regulator**

Optional for TH205-1 or TH205-2  
To adjust air pressure: 1-10 bar



**TH205-3  
Hand switches**

With locking function: The jaws of the grip close by pulling the handle and remain closed. The jaws open by pushing the handle back.  
Scope of delivery: 1 unit of hand switches including tubes and fittings



**TH205-4-1/8''  
Pneumatic micro-hand switches with 1/8'' connection incl. tubes and fittings**

With locking function: direct connection at the grip, 3/2 directional valve  
Scope of delivery: 2 hand switches including tubes and fittings



**TH216 Silent compressor for laboratories, oil-lubricated, with pressure reducer**

Max pressure 16 bar; 230 V/50 Hz; noise level: 38 dB(A)  
Motor: 0.13 kW; displacement: 17 l/min; tank size 3.5 l  
Dimensions: 340x290x340 mm (L x W x H); weight 18 kg