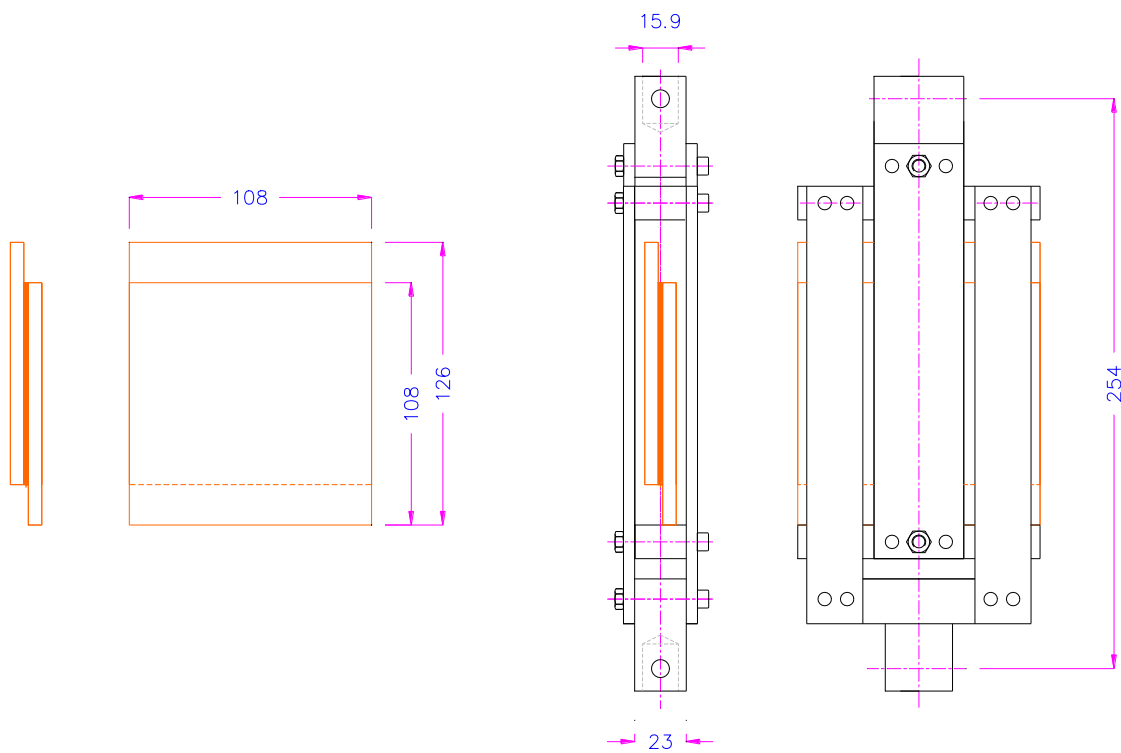


### SHEAR TEST FIXTURE

to determine shear adhesion strength of dispersion adhesives conform to EN1324-Fig.3 and EN12003-Fig.3

<b>Item No.:</b>	<b>THS450-EN1324-Fig3</b>
Standard coupling:	Af15.9 mm Further couplings on request
Body:	Steel, nickel coating
Standard temperature range:	0° ... +70°C
Weight per fixture:	Ca. 2.8 kg
Scope of delivery:	1 fixture



THS450-Af159

1.9.2018 MT