

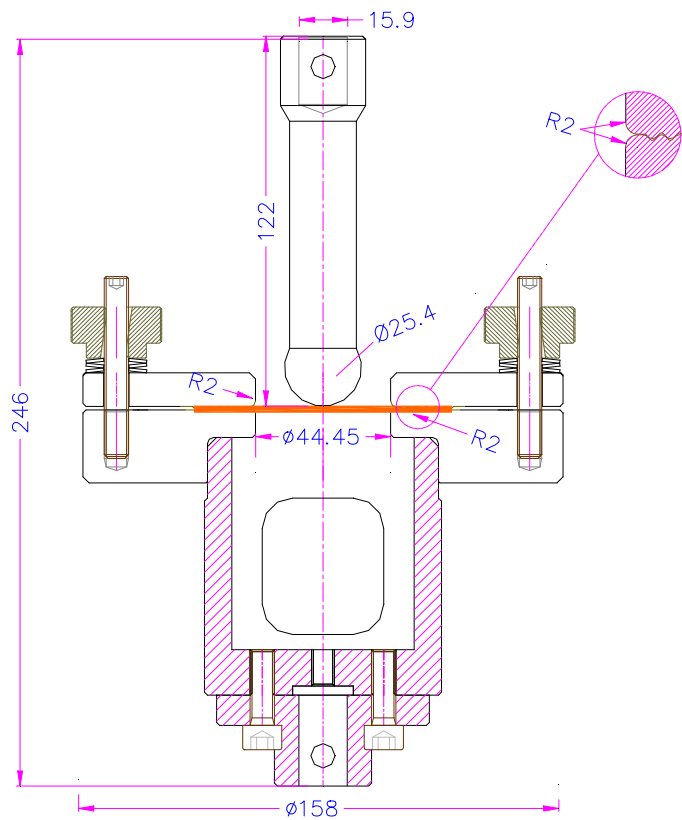
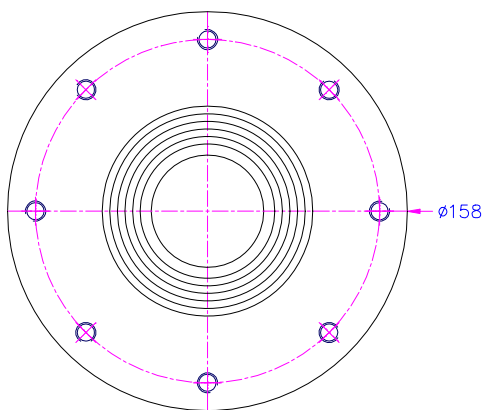
## PUNCTURE FIXTURE

Fixture for testing bursting strength of textiles.  
Textile sample is clamped between upper and lower ring and gets punctured by the pin.

<b>Item no.:</b>	<b>THS453-44.45-P25.4</b>
<b>Norm:</b>	According to ASTM-D3787, GB19976-2005, ASTM-D751-18.2, ISO9073-5
<b>Max. load:</b>	50 kN
<b>Coupling:</b>	Af159 Further couplings on request
<b>Material:</b>	Steel, nickel-plated
<b>Temperature range:</b>	-40... +80°C Further temperature ranges on request
<b>Weight:</b>	Ca. 8 kg
<b>Scope of delivery:</b>	1 fixture incl. pin



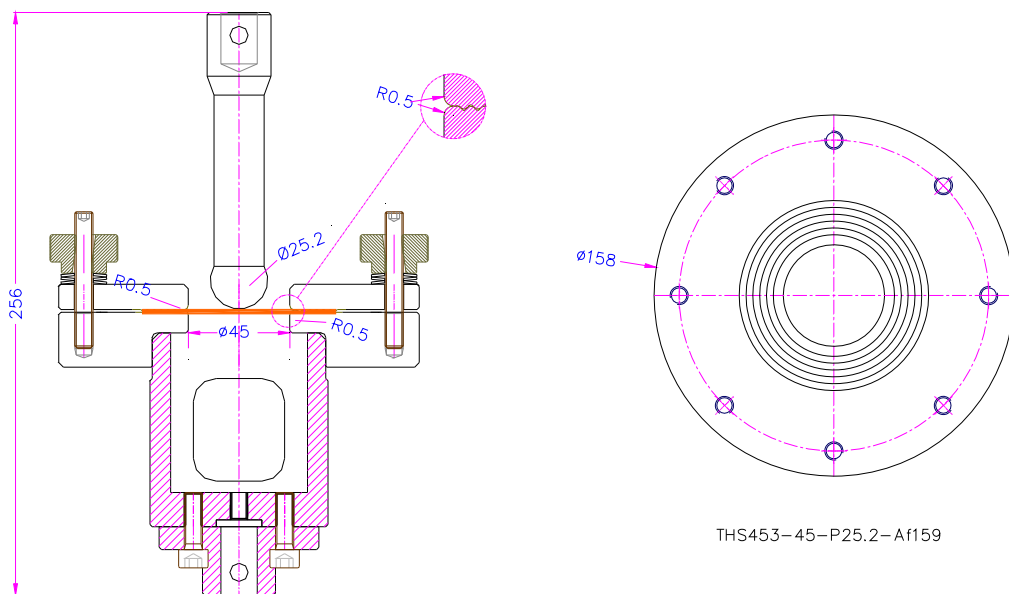
### THS453-44.45-P25.4



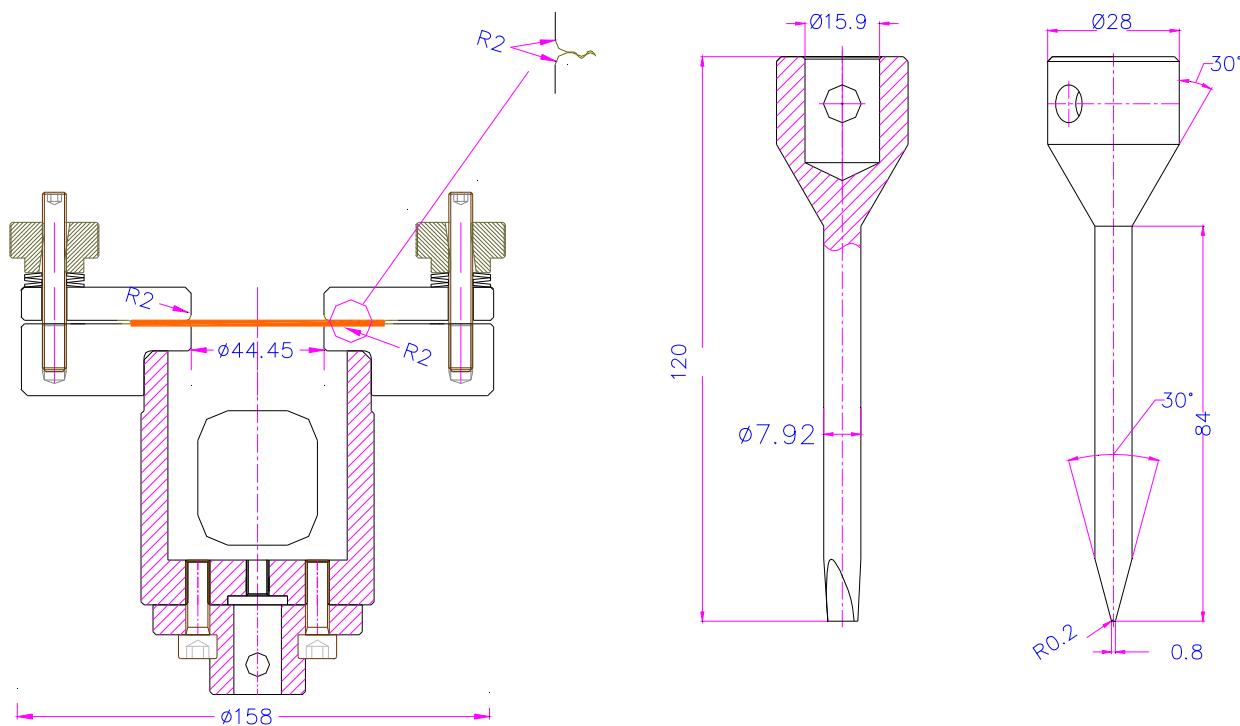
THS453-44.45-P25.4-Af159

Examples of special fixtures

**THS453-45-P25.2**  
(according to ISO3303-1)



**THS453-44.45-P7.92**  
(according to ASTM-D751-22.1)



14.11.2018 MH