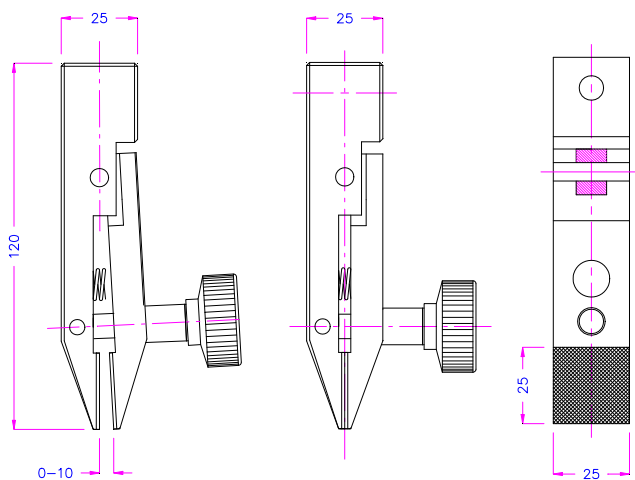


## Small vice grip 2 kN

Versatile, easy to use. Applicable for small components, for example electronic components.

Clamping surfaces serrated on both sides (pyramids).

|                        |  |
|------------------------|--|
| • Item No              | THS470                                   |
| • Tensile force        | 2 kN                                     |
| • Opening              | 0 – 10 mm                                |
| • Jaws                 | Pyramid jaws, 1.2 x 45°                  |
| • Clamping surface HxW | 25 x 25 mm                               |
| • Body                 | Hardened steel, phosphate coated         |
| • Temperature range    | 0 to +130°C<br>-70 to +280°C (THS470-Ni) |
| • Weight               | 452 gram                                 |
| • Scope of delivery    | 1 piece                                  |



THS470



### Similar grips



[THS341](#)



[THS501](#)



[THS205k](#)



[THS7](#)