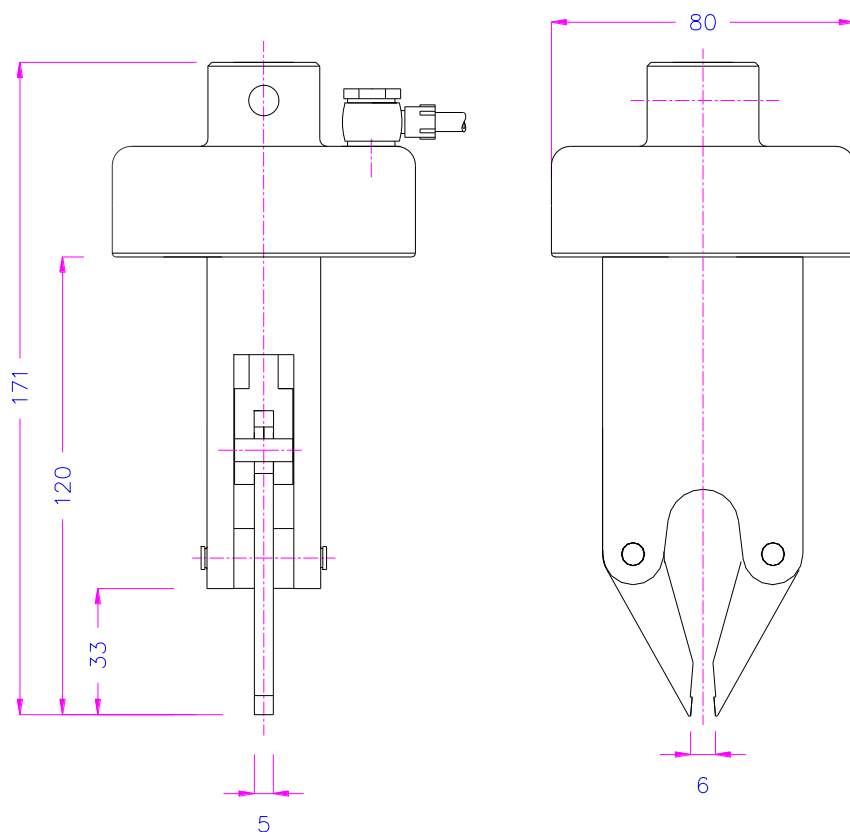


Pneumatic pincer grip 1 kN

Item No.	THS501
Clamping force	2 kN (horizontal) 7 bar
Opening	0 - 6 mm
Clamping jaws	Pyramid jaws (serrated), 0.8 x 45°
Clamping surface H x W	5 x 5 mm
Temperature range	0°C up to +70°C Further temperature ranges on request
Body	Aluminum, anodized
Pneumatic connection	1/8" internal thread
Weight	0.8 kg (incl. jaws)
Scope of delivery	1 grip incl. pyramid jaws



Similar grips:



[THS341](#)



[THS2](#)



[THS205k](#)



[THS470](#)

Accessories:



TH205-1 Foot pedals

None locking: The jaws of the grip open by pressing the foot pedal and close after removing the foot from the pedal.

Scope of delivery: 1 pair of foot switches including tubes and fittings



TH205-2 Foot pedals

With locking function: The jaws of the grip open by pressing the foot pedal and remain opened after removing the foot from the pedal. The jaws close by pressing the pedal one more time.

Scope of delivery: 1 pair of foot switches including tubes and fittings



TH205-PR10bar Pressure regulator

Optional for TH205-1 or TH205-2

To adjust air pressure: 1-10 bar

TH205-PR16bar Pressure regulator

Optional for TH205-1 or TH205-2

To adjust air pressure: 1-16 bar



TH205-4-1/8" Pneumatic micro-hand switches

Pneumatic micro – hand switches with 1/8" connection, tubes and fittings

With locking function: The hand switches are directly installed at the grips, 3/2 directional valve.

Only for single action rods with spring inside.

Scope of supply: 2 hand switches including tubes and fittings



TH205-3 Hand switches

With locking function: The jaws of the grip close by pulling the handle and remain closed. The jaws open by pushing the handle back.

Scope of delivery: 1 unit of hand switches including tubes and fittings



TH216 Silent compressor for laboratories, oil-lubricated, with pressure reducer

Max pressure 16 bar; 230 V/50 Hz; noise level: 38 dB(A)

Motor: 0.13 kW; displacement: 17 l/min; tank size 3.5 l

Dimensions: 340x290x340 mm (L x W x H); weight 18 kg

