

THS519

centring device with screws to adjust the sample in jaws

TH149-BG + THS519-4



TH238-Ar3.2r5 + THS519-4



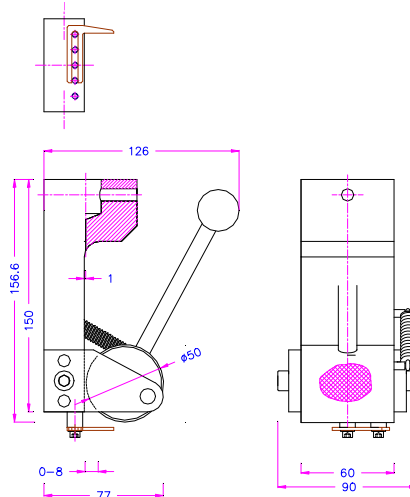
THS519-3-13

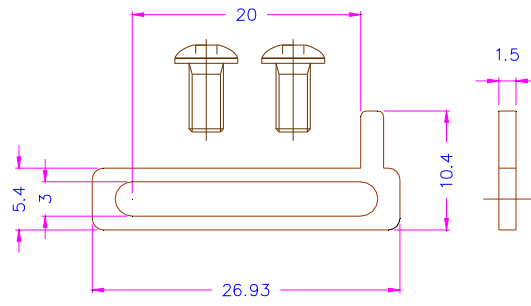


TH229-BP25+THS519-2

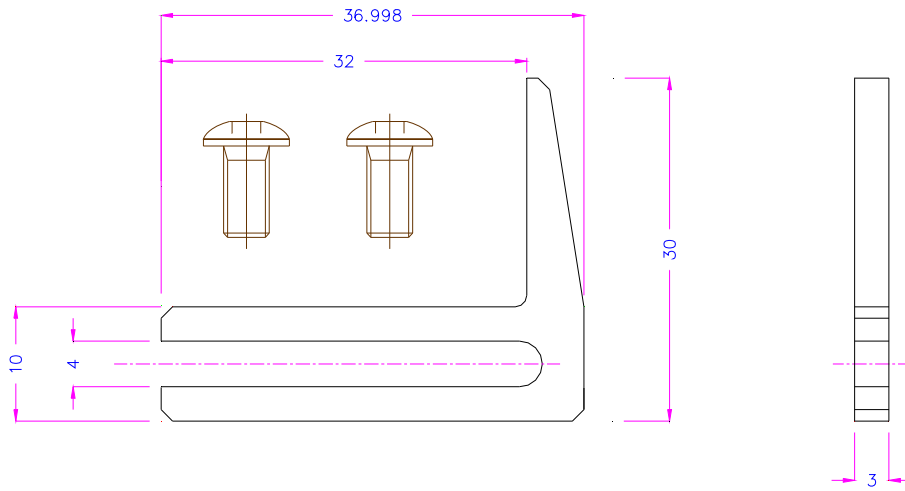


TH7-10+THS519-4

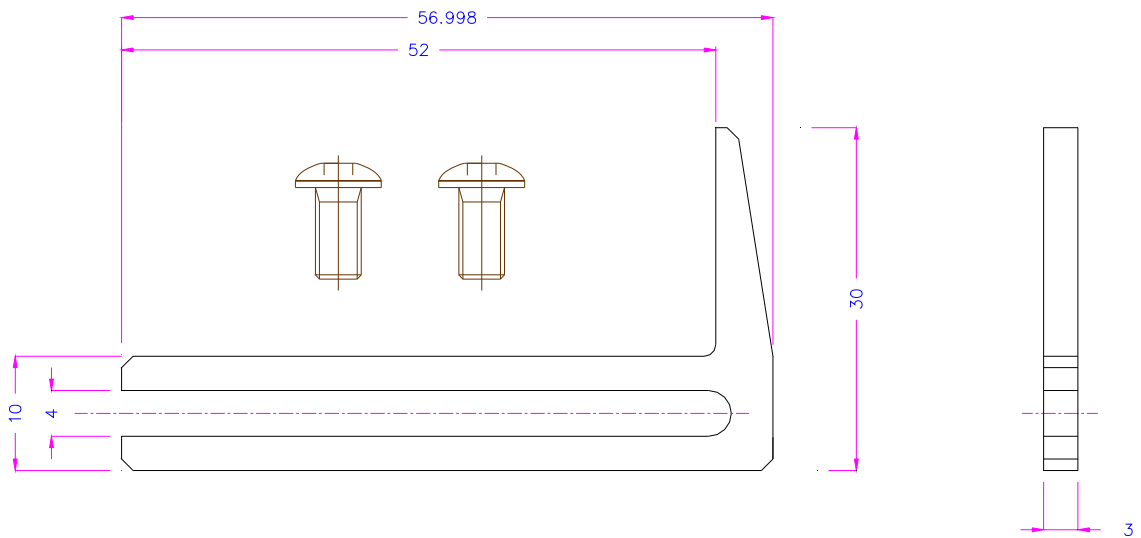




THS519-3-20

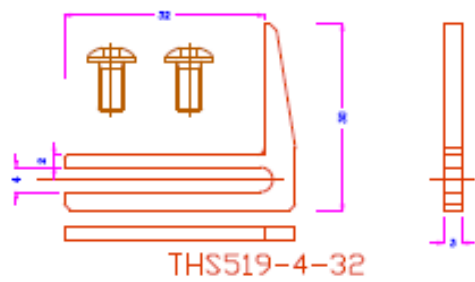


THS519-4-32

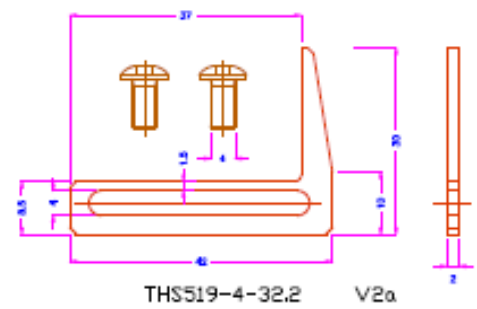


THS519-4-52

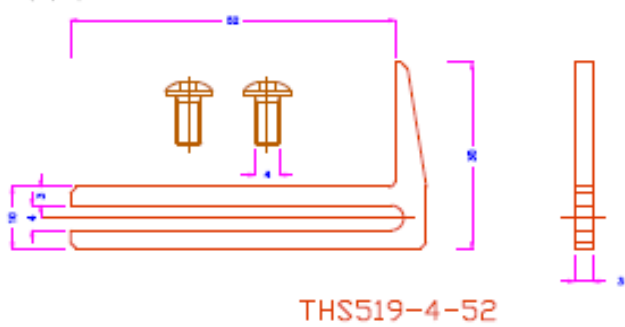
M4



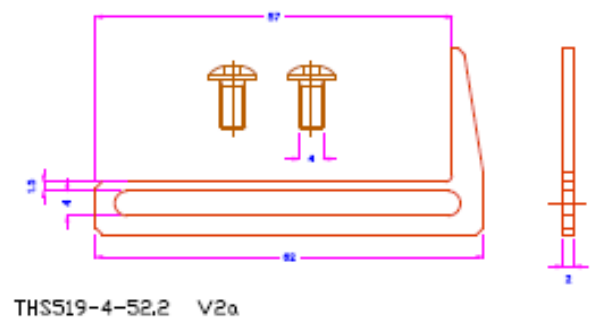
M4



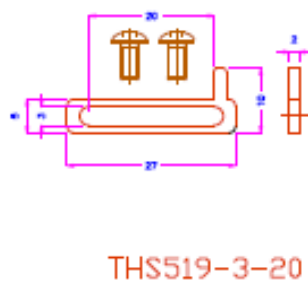
M4



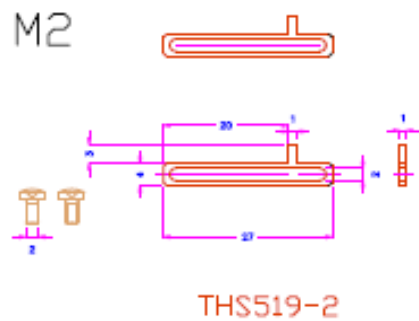
M4



M3



M2



See also www.grip.de/G18