

## SHEAR TEST FIXTURE

to test adhesives according to

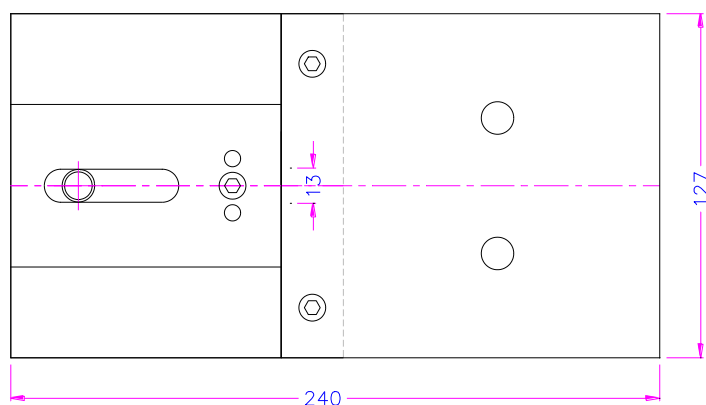
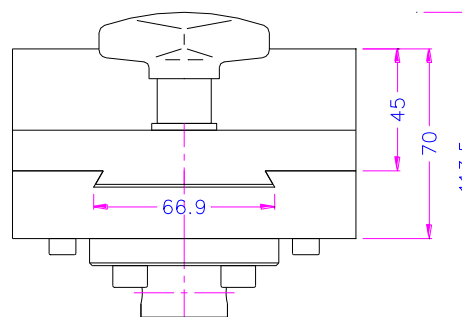
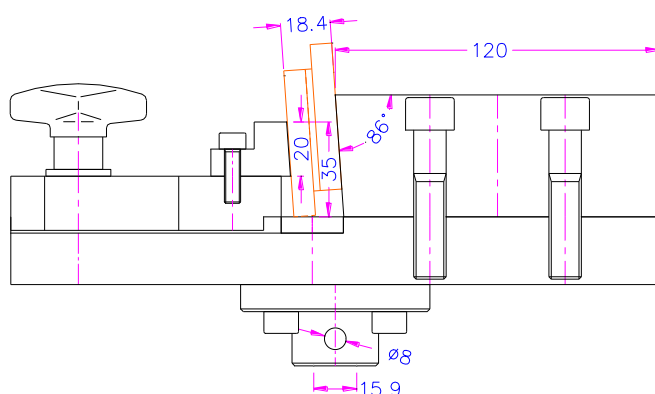
**EN 1324:** Adhesives for tiles — Determination of shear adhesion strength of dispersion adhesives. Fig. 2.

**ANSI A118.1:** American national standard specifications for dry-set portland cement mortar

**NF EN 12003:** Adhesive for tiles — Determination of shear adhesion strength of reaction resin adhesives.

The specimen is clamped in the fixture and compressed with the upper compression platen to failure.

<b>Item no.:</b>	<b>THS534</b>
Max. load:	20 kN
Jaw opening:	12 - 45 mm
Coupling:	Af159. Further couplings on request.
Body:	Steel, nickel-plated
Temperature range:	0 ... +70°C. Further temperature ranges on request.
Weight:	13.15 kg
Scope of delivery:	1 fixture. Upper compression platen is needed for the test (not included in the price)



**For upper compression platen we recommend:**

**TH23-56**

56 mm Ø. Steel, nickel-plated

See [TH23 data sheet.pdf](#)



**See also**

**THS450-EN1324-Fig.3**

Shear test fixture to determine shear adhesion strength of dispersion adhesives according to EN 1324. Fig.3.

See [THS450 data sheet.pdf](#)



For more shear test fixtures please see [www.grip.de/G03/](http://www.grip.de/G03/)