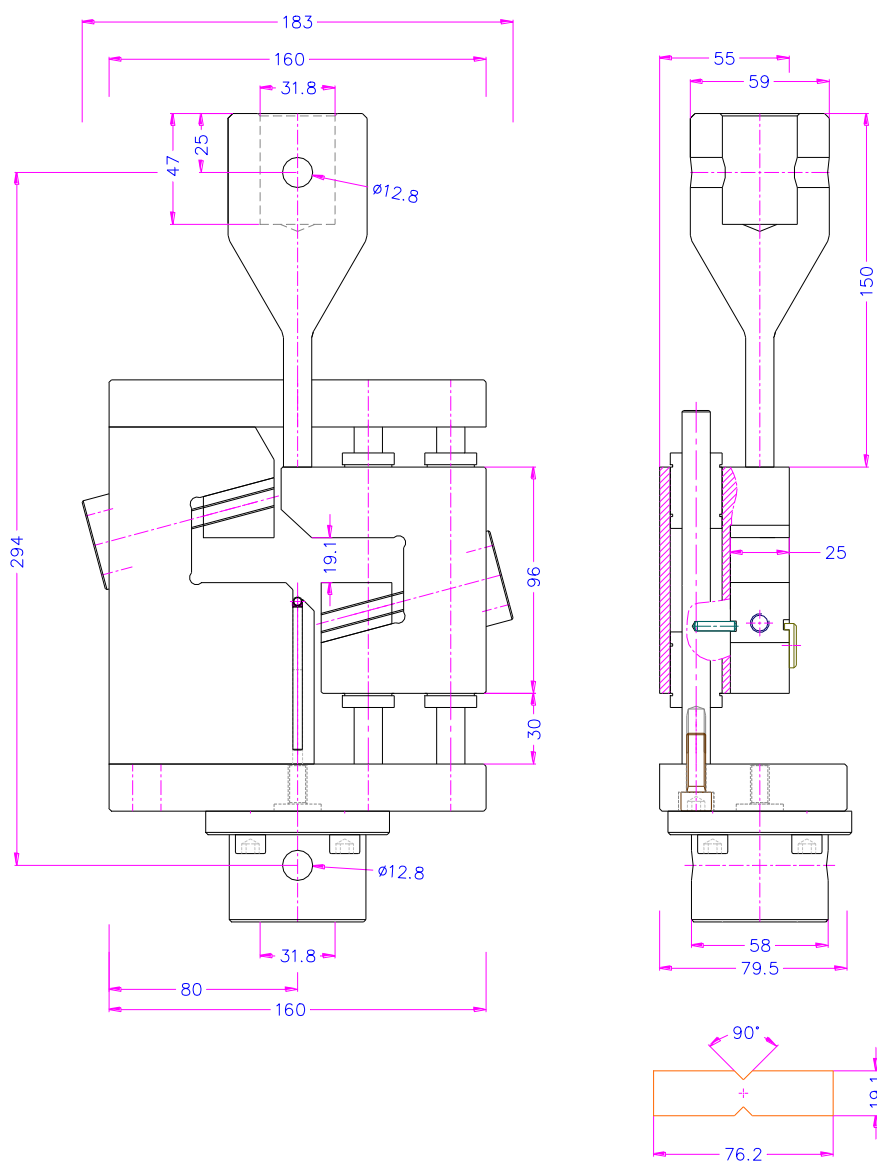


Shear Test Fixture ASTM D5379

to test shear properties of composite materials by the V-notched beam method (the Iosipescu method)

Item no.:	THS600- ASTMD5379
Max. force capacity:	50 kN
Opening:	18 mm - 19.5 mm (max. 23 mm)
Standard coupling:	Af318 mm Further couplings on request
Weight:	10 kg
Material:	Steel, nickel-plated
Temperature range:	-20 ... +80°C Further temperature ranges on request
Scope of delivery:	1 fixture incl. compression probe and jaws



See also [THS722](#) ASTM D7078 (V-Notched Rail Shear Method)

