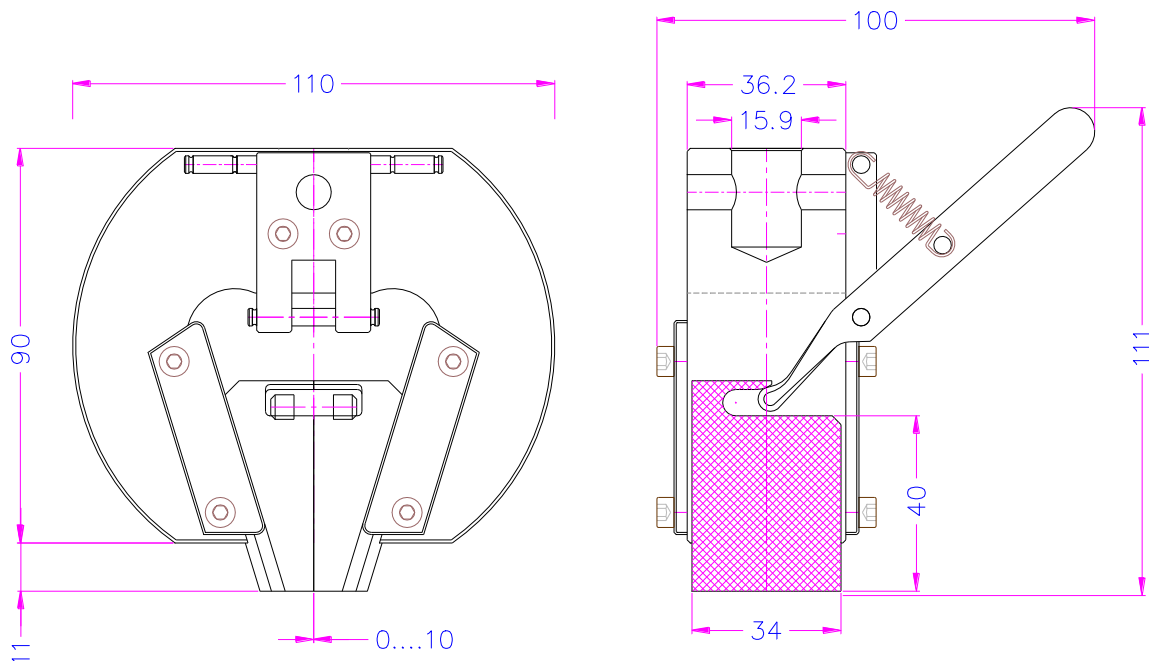


WEDGE GRIP

Item no.:	THS622
Tensile force:	10 kN
Coupling:	Af159 or Af20 Further couplings on request
Temperature range:	0 ... +70°C Further temperature ranges on request
Body:	Steel, nickel-plated
Weight:	1.82 kg each grip
Scope of supply:	1 pair of grips



Jaws for THS622
Scope of delivery: 1 set = 4 jaws

Item no.	Surface	Clamping surface H x W	Opening	Weight per pair
THS622-BP	Pyramid jaws	40x34 mm	0-10 mm	0.42 kg
THS622-BV	V-jaws	Clamping height 40 mm	2-10 mm Ø	0.43 kg

Jaw faces with differing dimensions and surfaces available on request.



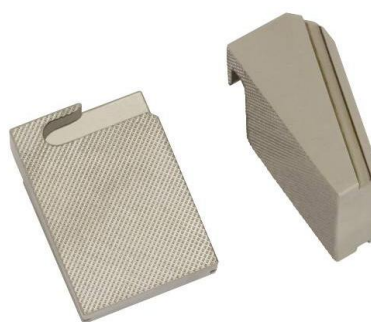
THS622-BP:
Pyramids 1x45°, hardened steel



THS622-BV:
Tooth pitch 1.2 mm, hardened steel



THS622-BV



THS622-BP