

Wedge grip 10kN

THS622 grips are supplied in pairs, but can also be ordered as single grip (0.5 pair).

Grips and jaws need to be ordered separately.



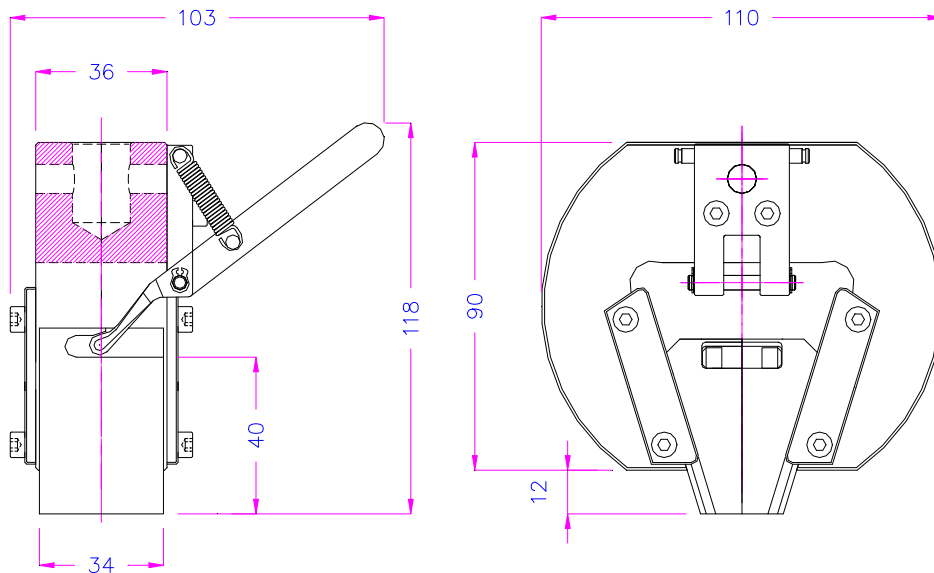
Item No.	THS622
Tensile force	10 kN
Temperature range	0°C - + 130°C -70°C - + 280°C (THS622-Ni)
Body	Steel, phosphated
Weight per grip	1.83kg each grip (without jaws)

Jaws for THS622

Scope of delivery 1 Set = 4 jaws

Item No.	Jaw surface	Clamping surface H x W	Opening	Weight / pair
THS622-BP	Pyramid jaws	34x40mm	0-9 mm	0.42kg
THS622-BV	V-jaws	Clamping height 40 mm	3-9 mm Ø	0.43kg

Jaw faces with differing dimensions and surfaces available on request.



THS622