

THS668

Heavy vise grips



THS668-200-F100

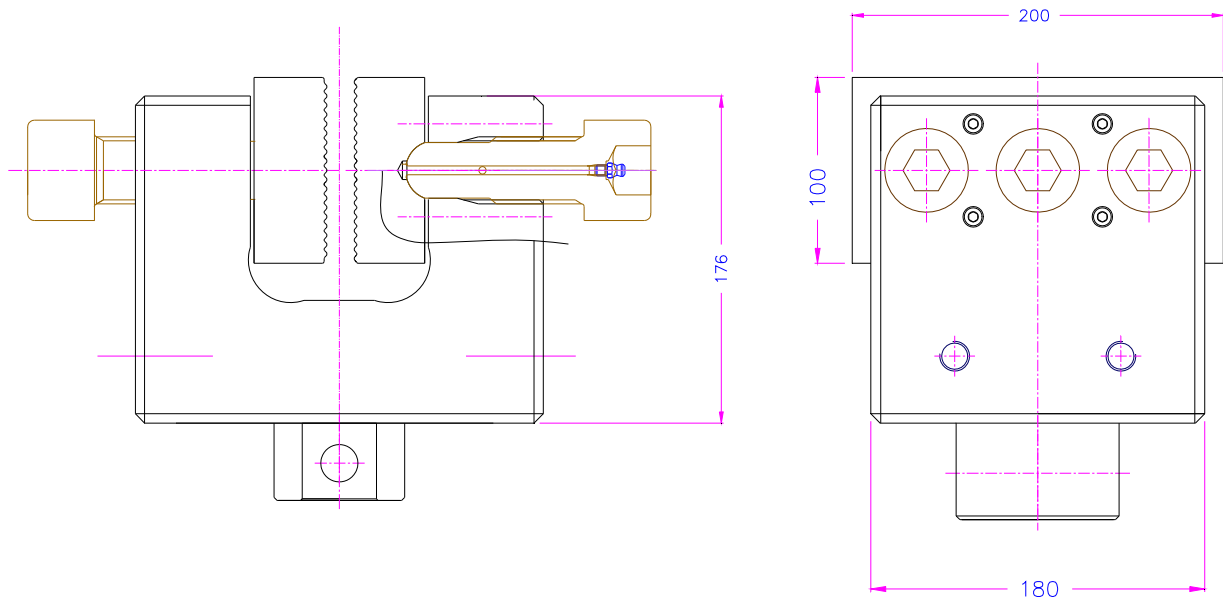
Pyramid jaws 200x100 mm
Clamping force 600 kN



THS668-200-F100-Af36

Adapter 36 mm





THS668-200-F100

THS668-200-Af50+BW

Adapter 50 mm



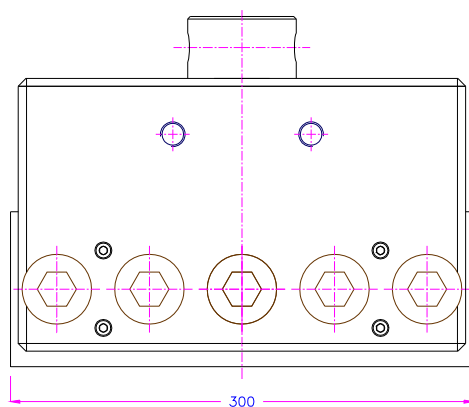
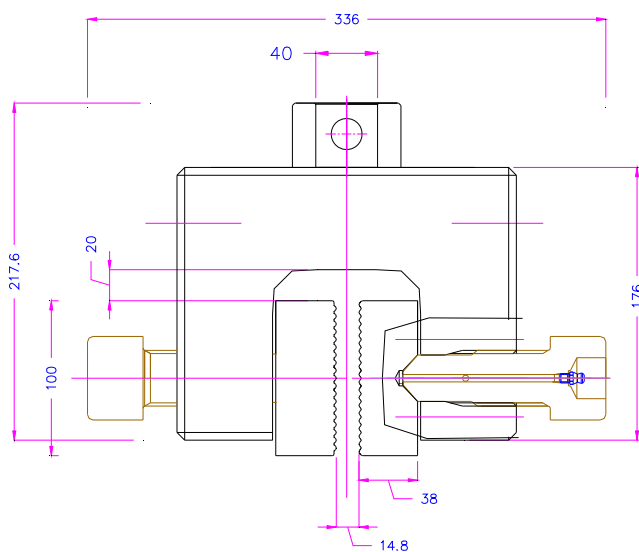
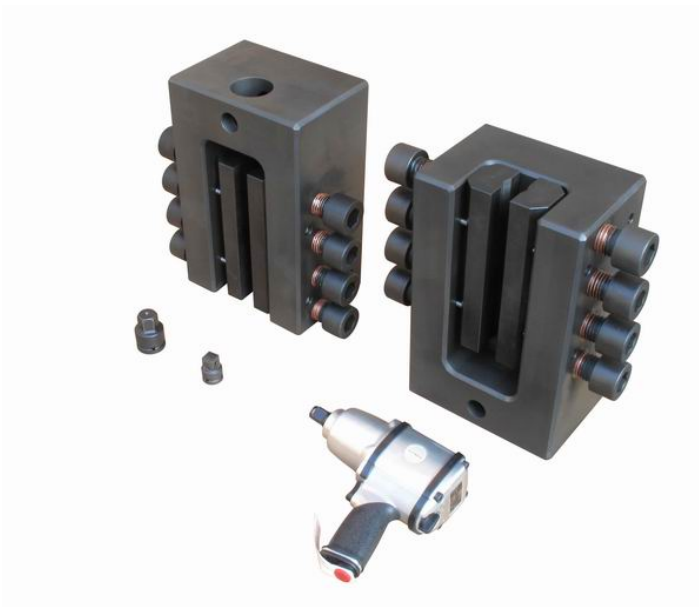
THS668-200-Af50+BW



THS668-250+BW

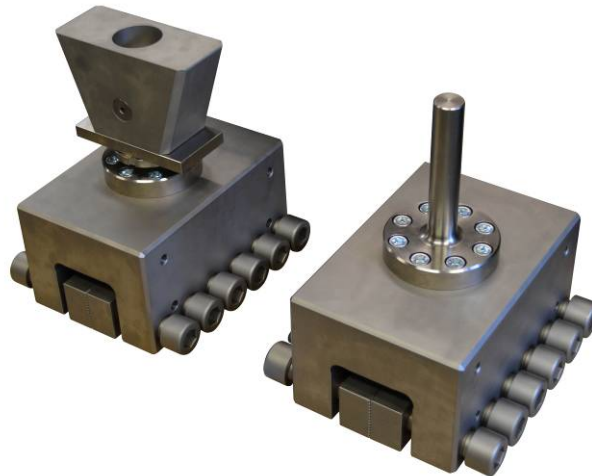


THS668-300-A90



THS668-300-F100-Af40

THS668-350

**THS688-SD1100**Schlagschrauber
Impact Wrench1500 Nm to open
1100 Nm to close4,7 kg 6,3 bar
340 l/min Max 990 l/min
89 dBA 3/4"

Screw must be greased with copper paste

25.01.2016OI