

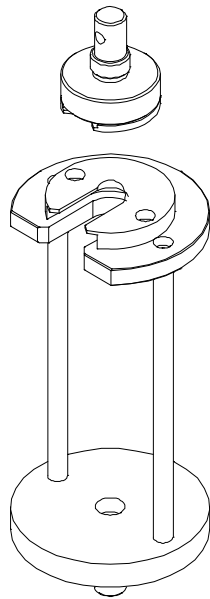
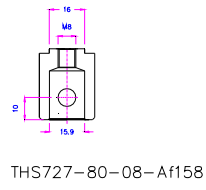
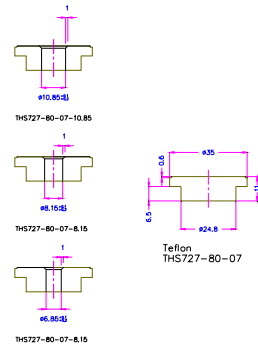
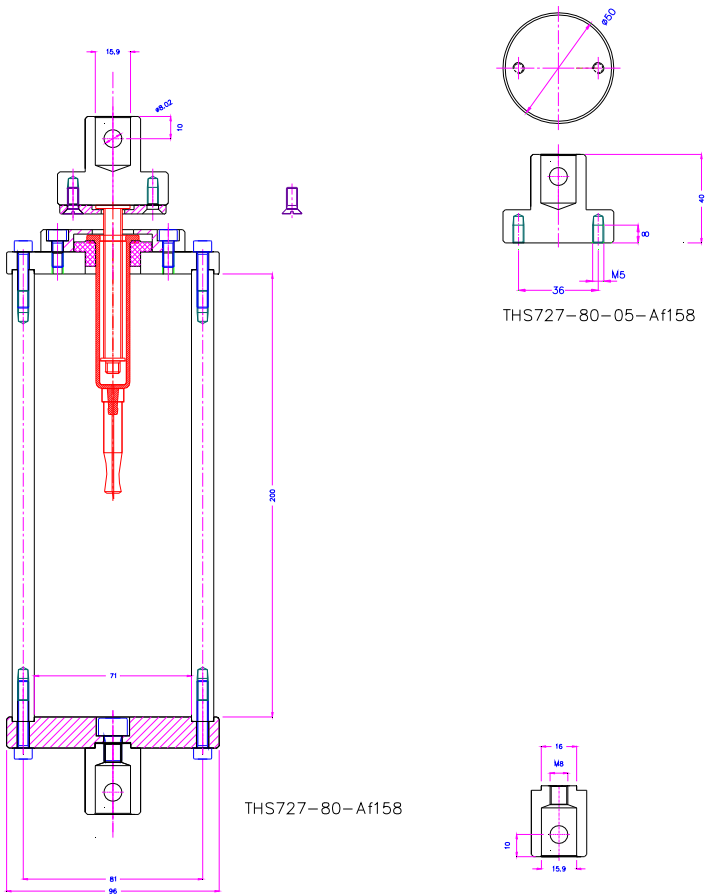
THS727-80

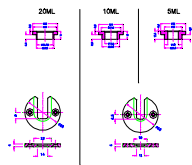
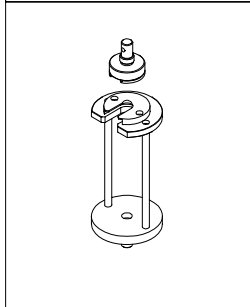
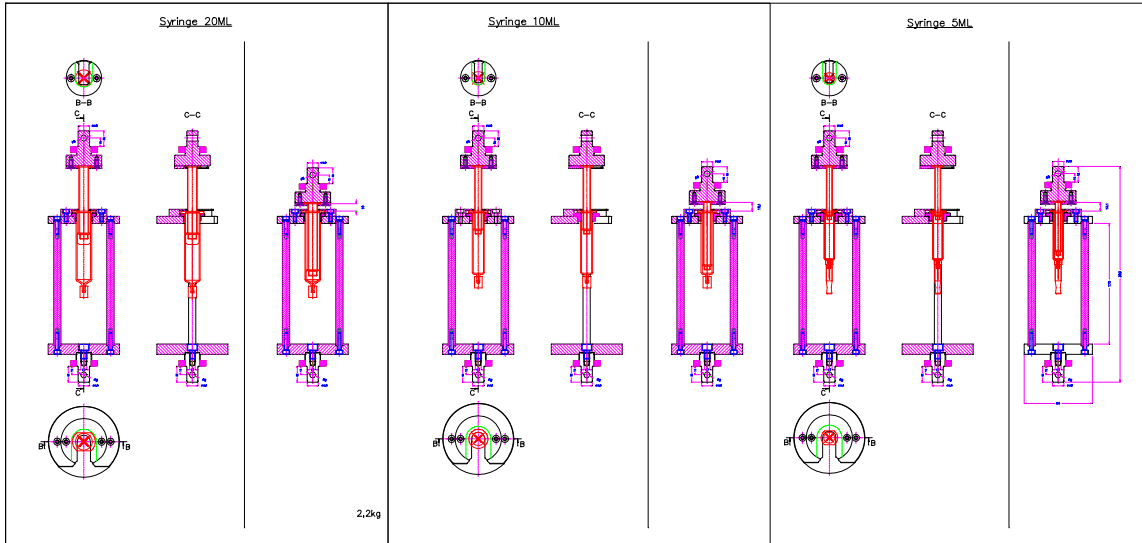
Spritzenhalter
Syringe test fixture



THS727-80:

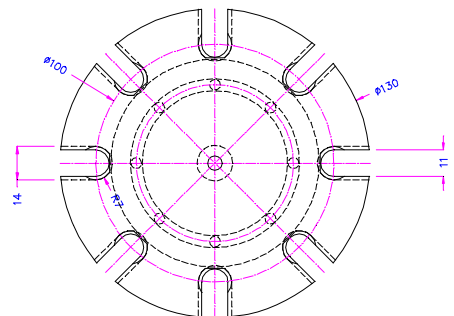
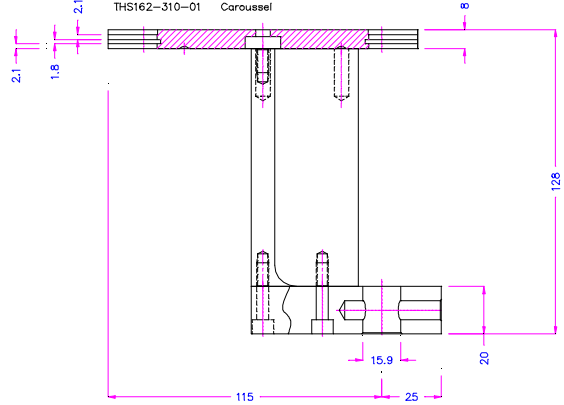
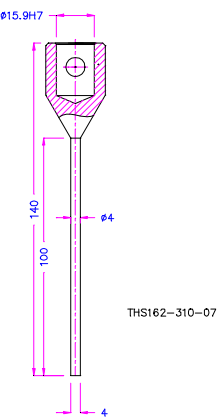
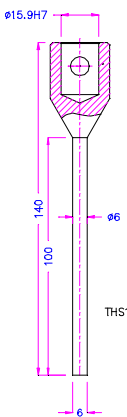
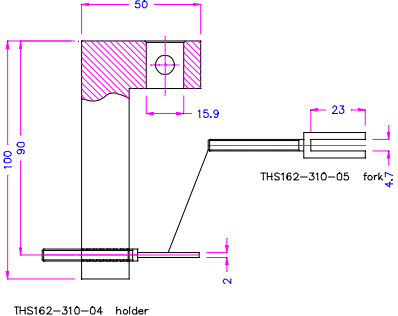
Syringe test fixture
For compression and tensile tests
Including 3 different insets for 3 sizes of syringes,



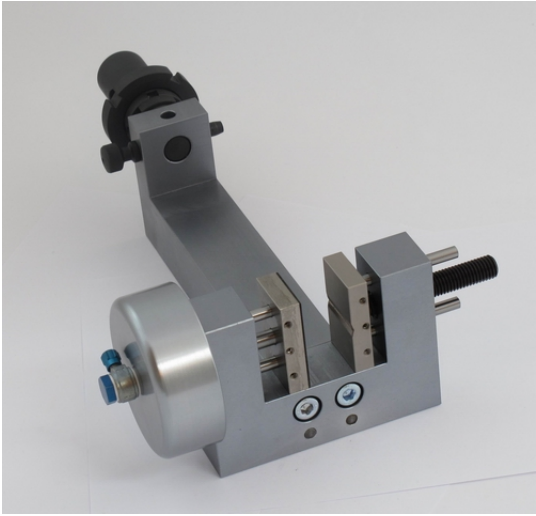


Syringe Holder
THS727-80

Other solutions

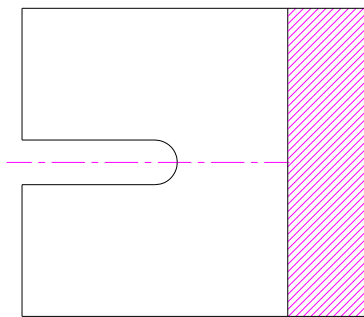
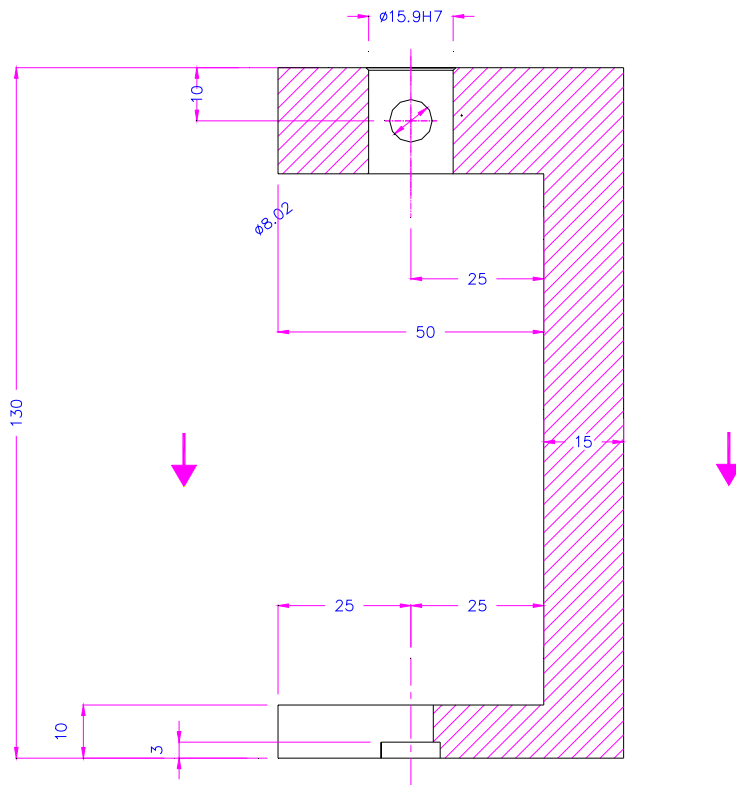
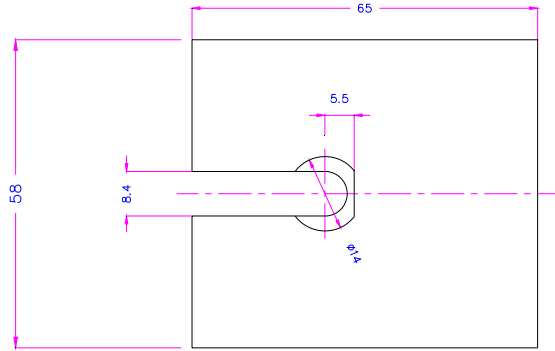


THS162-310



to keep cylinder





THS727-11-8.4