

EXCENTRIC ROLLER GRIP

- Symmetric design
- Self-tightening non-slip gripping action

Item-No.: THS766-5

Tensile force: 5 kN

Opening: 0-15 mm

Roller: pyramid (serrated) faced, 30 mm Ø

Temperature range: 0° ... +70°C
Further temperature ranges on request

Standard coupling: Af159 or Af20
Further couplings on request

Body: steel, nickel-plated

Weight: ca. 1.4 kg per grip

Scope of delivery: 1 pair of grips



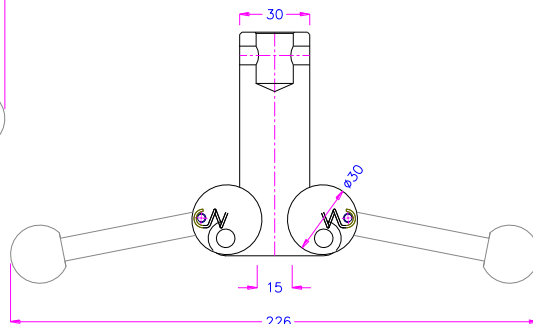
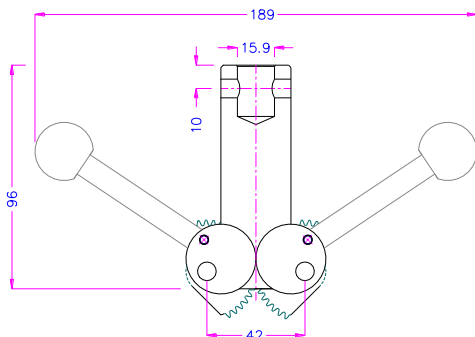
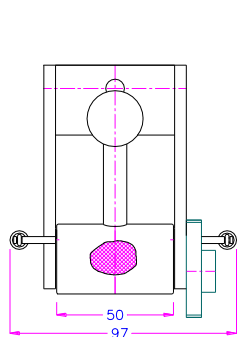
THS766-5 closed



THS766-5 open



Pyramid-faced roller surface



THS766-5-Af159

Examples for customized solutions:

Item-No.: THS766-40

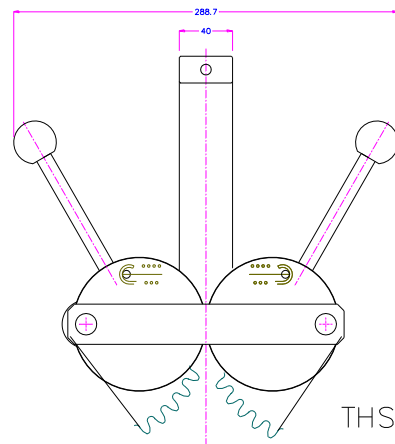
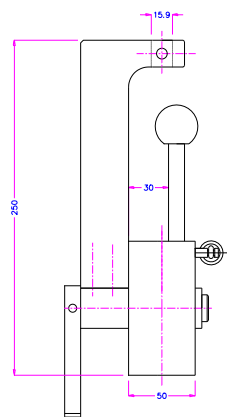
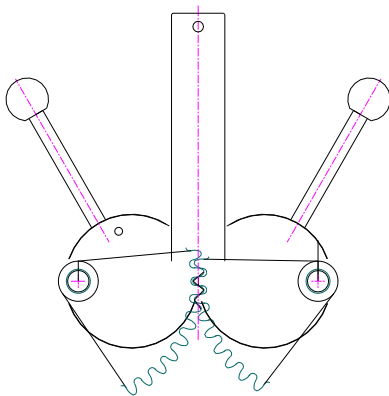
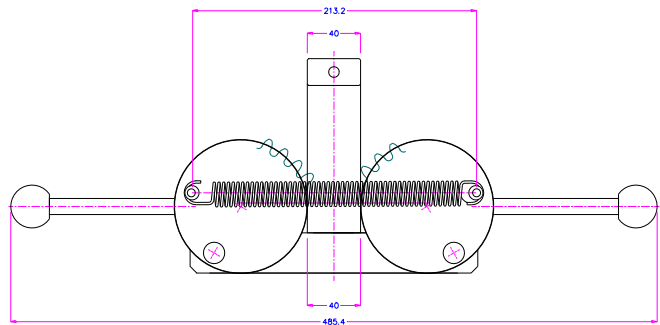
Tensile force: 5 kN

Opening: 0-40 mm

Body: steel, phospahted

Weight: ca. 2 kg per grip

Scope of delivery: 1 pair of grips



THS766-40