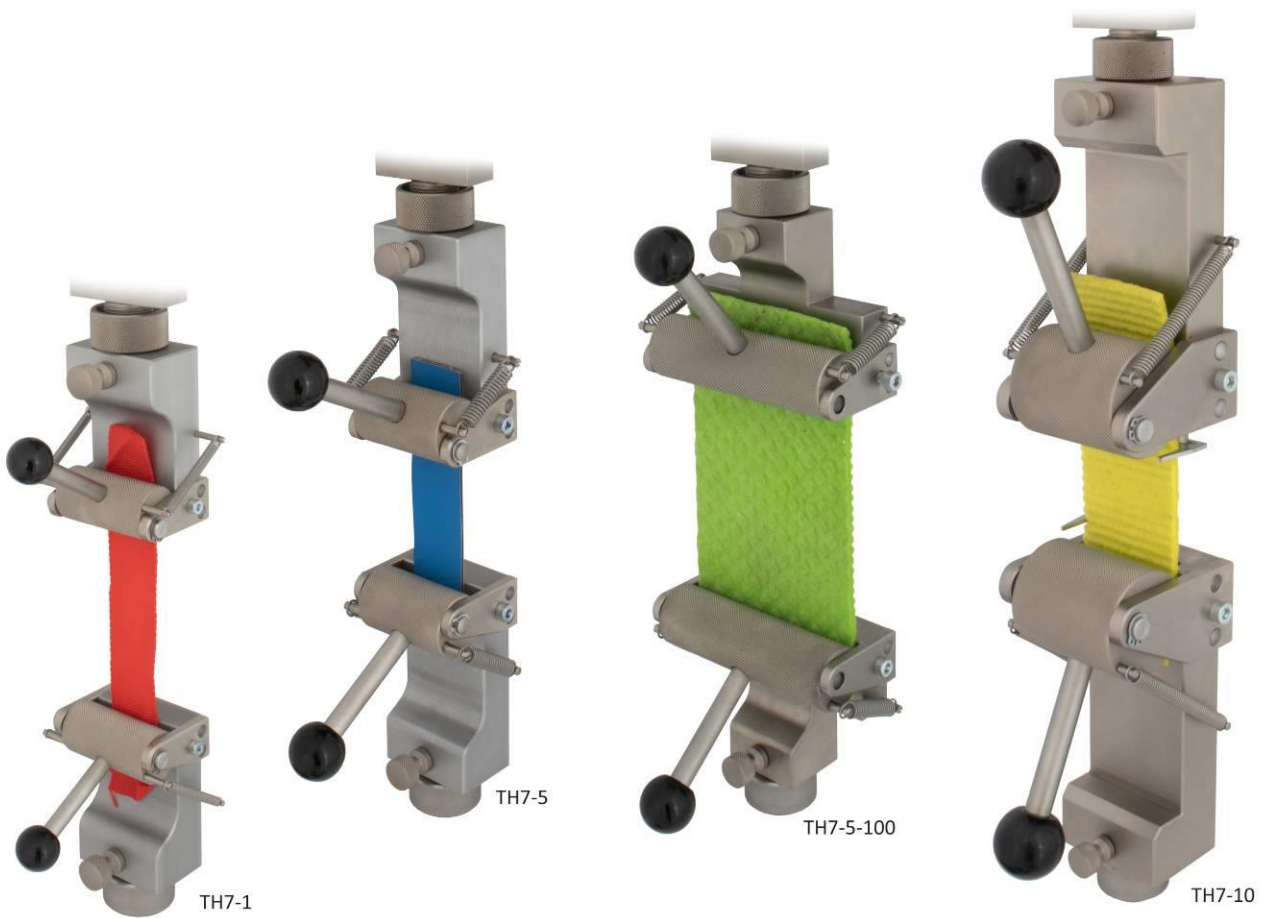


ECCENTRIC ROLLER GRIPS

Easy to use and self-tightening
 Applicable for soft and flexible samples, foils, plastics, rubber, etc.

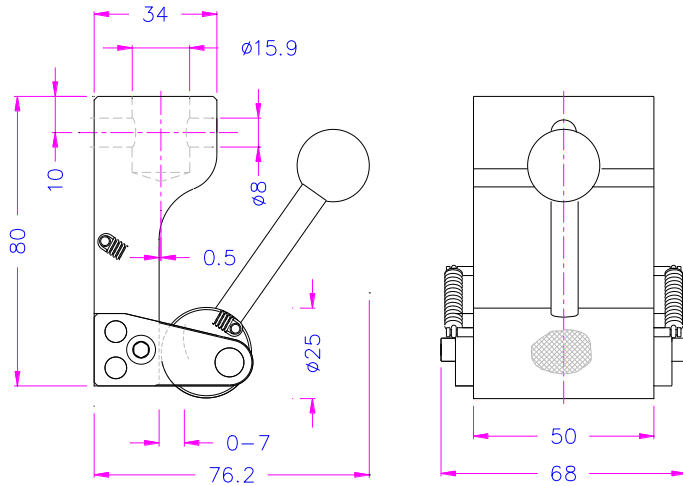
Scope of delivery: 1 pair of grips



Item no.:	Max. load:	Adapter:	Max sample size:
TH7-1 TH7-1-A4 TH7-1-SR	1 kN	15.9 (5/8")	50x7 mm
TH7-5 TH7-5-A4	5 kN	15.9 (5/8")	50x7 mm
TH7-10	10 kN	15.9 (5/8")	60x8 mm
TH7-20	20 kN	15.9 (5/8")	60x8 mm

TH7-1

- Tensile force: 1 kN
- Pyramid (serrated) faced roller, 25 mm Ø, steel, nickel-plated
- Clamping width: 50 mm, specimen thickness: 0 – 7 mm
- Body: aluminium anodized
- Temperature range: 0 ... +130°C
Other temperature ranges possible on request
- Weight ca. 0.5 kg each grip



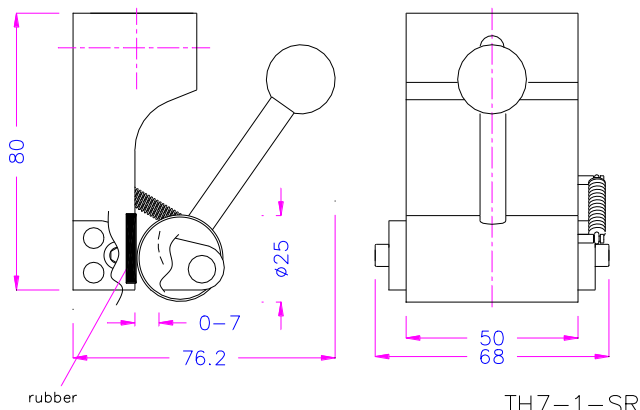
TH7-1-A4

- Same as TH7-1 but made of stainless steel A4, teflon knob.
- Pyramid (serrated) or blank roller.
 - Temperature range: -70 ... +280°C
 - Weight 0.97 kg each grip



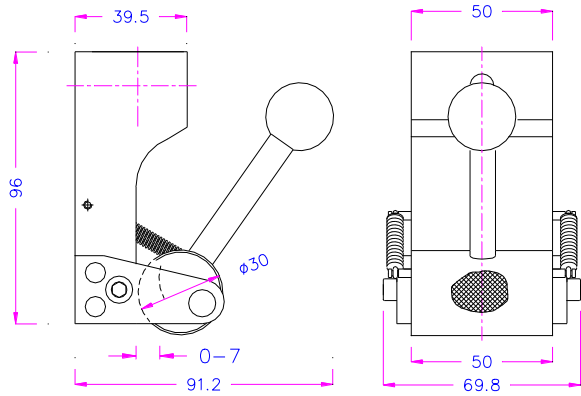
TH7-1-SR

- Tensile force: 1 kN
- Smooth roller, 25 mm Ø, stainless steel, rubber-base plate
- Clamping width 50 mm, specimen thickness 0 – 7 mm
- Body: aluminium anodized
- Temperature range: 0 ... +70°C
Other temperature ranges possible on request
- Weight ca. 0.5 kg each grip



TH7-5

- Tensile force: 5 kN
- Pyramid (serrated) faced roller, 30 mm Ø, steel, nickel-plated
- Clamping width 50 mm, specimen thickness 0 – 7 mm
- Body: aluminium anodized
- Temperature range: 0 ... +130°C
Other temperature ranges possible on request
- Weight: ca. 0.7 kg each grip



TH7-5



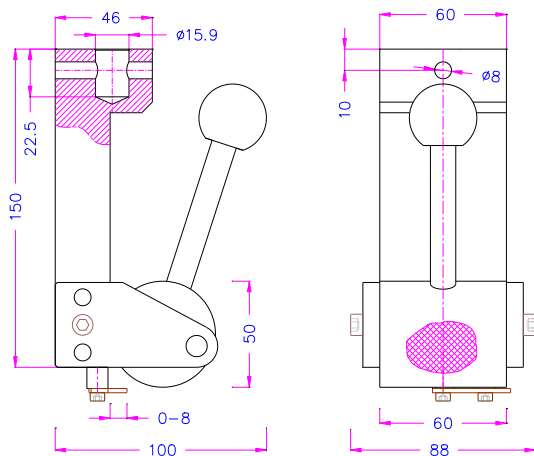
TH7-5-A4

- Same as TH7-5 but made of stainless steel A4, teflon knob.
Pyramid (serrated) or blank roller.
- Temperature range: -70 ... +280°C
 - Weight 1.23 kg each grip



TH7-10

- Tensile force 10 kN
- Pyramid (serrated) faced roller, 50 mm Ø, steel, nickel-plated
- Clamping width 60 mm, specimen thickness 0 – 8 mm
- Body: steel, nickel-plated
- Temperature range: 0 ... +130°C
Other temperature ranges on request
- Weight: ca. 3.37 kg each grip

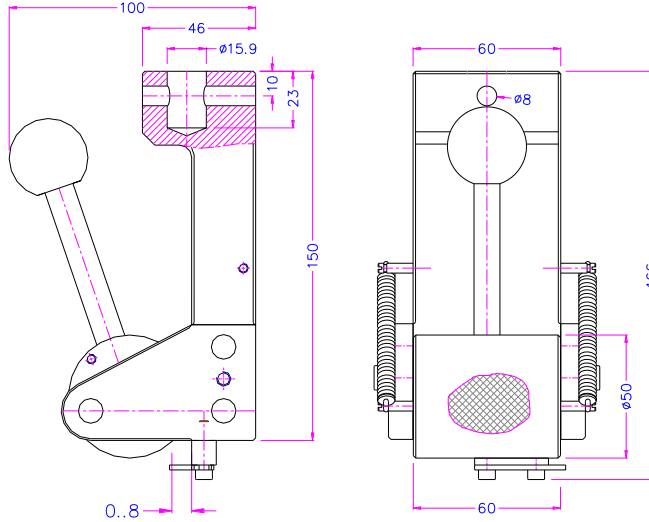


TH7-10



TH7-20

- Tensile force: 20 kN
- Pyramid (serrated) faced roller, 50 mm Ø, steel, nickel-plated
- Clamping width 60 mm, specimen thickness 0 – 8 mm
- Body: steel, nickel-plated
- Temperature range: 0 ... +130°C
- Other temperature ranges on request
- Weight: ca. 3.52 kg each grip



Customized versions:



TH7-W25-H7-T280°C
stainless steel



TH7-1-SWG
Rubber-coated roller and base plate



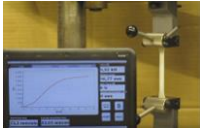
TH7-1-80
1 kN 80 mm width



TH7-5-SBP
Pyramid-faced base plate



TH7-5-100
Roller width 100 mm

Videos**TH7-5**

<http://youtu.be/aNbl2ThLzE8>

**TH7-10**

http://youtu.be/OW-t86_vPP0

See also:

[THS766](#) grip with symmetric tightening

