

## Wedge grip 2 kN

Applicable for smaller samples.

### Ordering information

THS7 grips are supplied as a pair, but can also be ordered separately (0.5 pair).  
Grips and jaws need to be ordered separately.





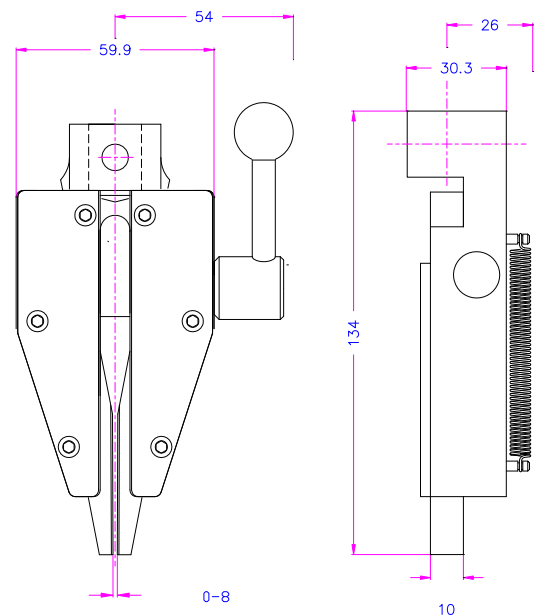
Item No.	THS7
• Tensile force	2 kN
• Body	Steel, manganese phosphate coated
• Temperature range	0°C up to +130°C Further temperature ranges on request
• Weight	0.9 kg (without jaws)
• Scope of delivery	1 pair (without jaws)

**Jaws for THS7:** Scope of delivery 1 set = 4 jaws

Item No.	Surface	Clamping surface H x W	Opening	Weight per pair
THS7-BP	Pyramid jaws (serrated)	40x10 mm	0 – 10 mm	0.15 kg
THS7-BV	V-jaws	Clamping height 40 mm	2 – 10 mm Ø	0.15 kg

Further jaw surfaces on request.

	<b>BP: Multi-purpose application range</b> Pyramids (serrated) 0.8x45°, hardened steel
	<b>BV: For all kinds of round samples</b> Tooth pitch 0.8 mm, hardened steel



THS7

### Similar grips

