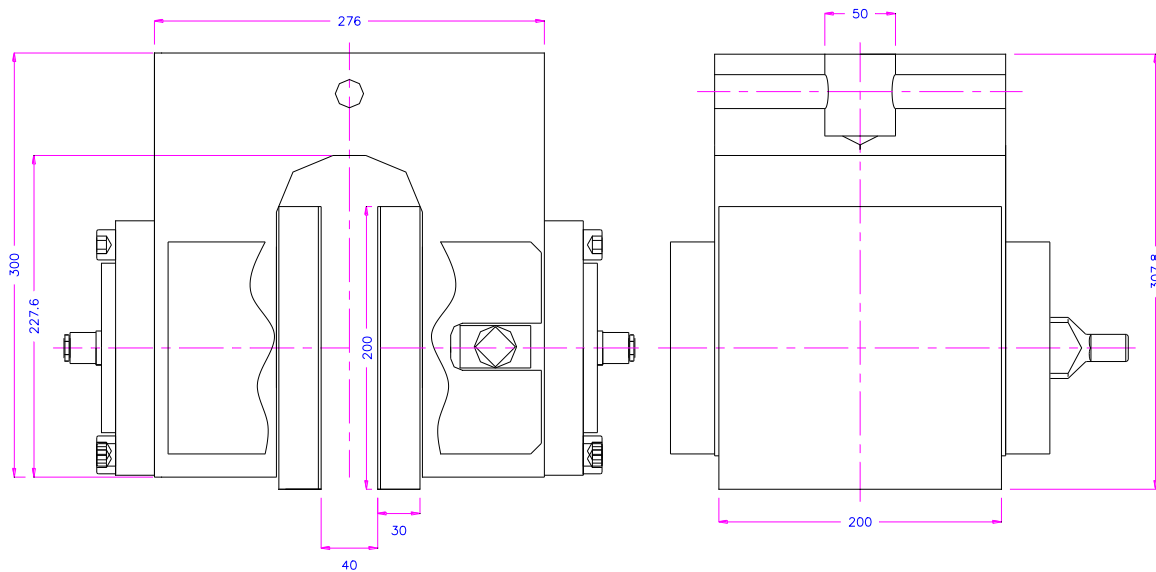


THS82-430-200

heavy hydraulic grip
430 kN keeping force (350 bar)
0-42 mm opening
For samples like wood plastic

THS82-B200

pyramid jaws 200x200mm
4 parts



THS82-HP

air hydraulic pump



Similar Grips



