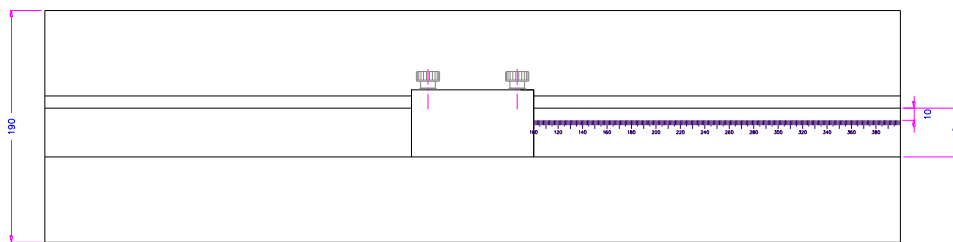
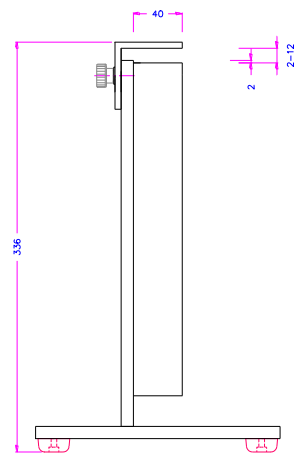
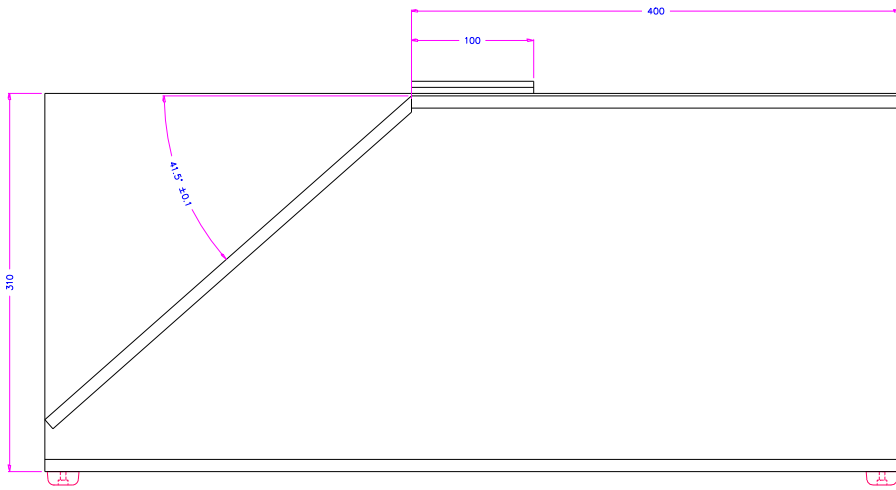


Fabric Bending Stiffness Test Fixture

Fixture to determine stiffness in bending, e.g. for needle-punched non-woven fabrics according to DIN 53362 Cantilever method, EN ISO 9073-7, ASTM D1388, ASTM D5732.

A fabric sample bends under its own weight.



THS853-20-DIN53362