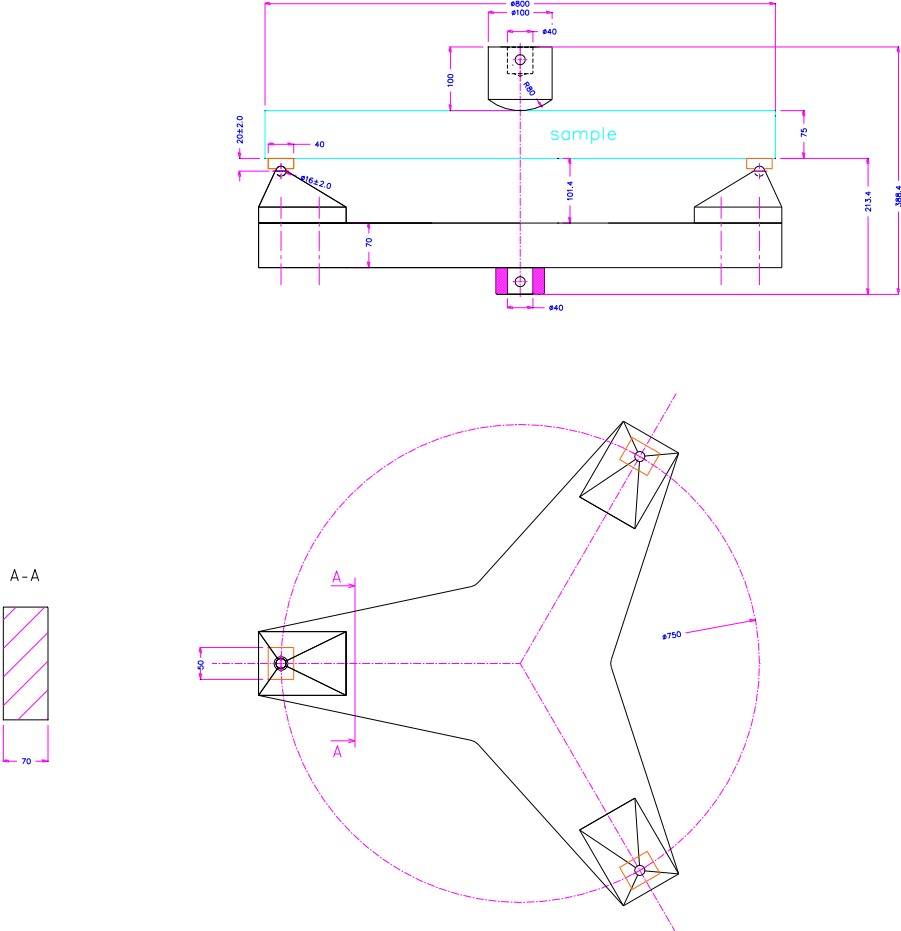


THS903-30 ASTM-C1399

3 single point bending fixture
with 3 moveable lower supports in 2 axis
support platens (40x50mm) are spherical seated
Top adapter Af318
Max load 100kN
Heavy lower part 120 kg



THS903-20 ASTM-C1550