

# Newsletter

## Grips under pressure

Our pneumatic and hydraulik accessories.  
How to mix and match and what to consider when ordering.

Visit the web link below for more information about our pneumatic category,  
<https://grip.de/G12/>

### Part 1

#### TH205 pneumatic connections

1. Compressor



2. Standard switches



3. Adapters & joints



4. Fittings



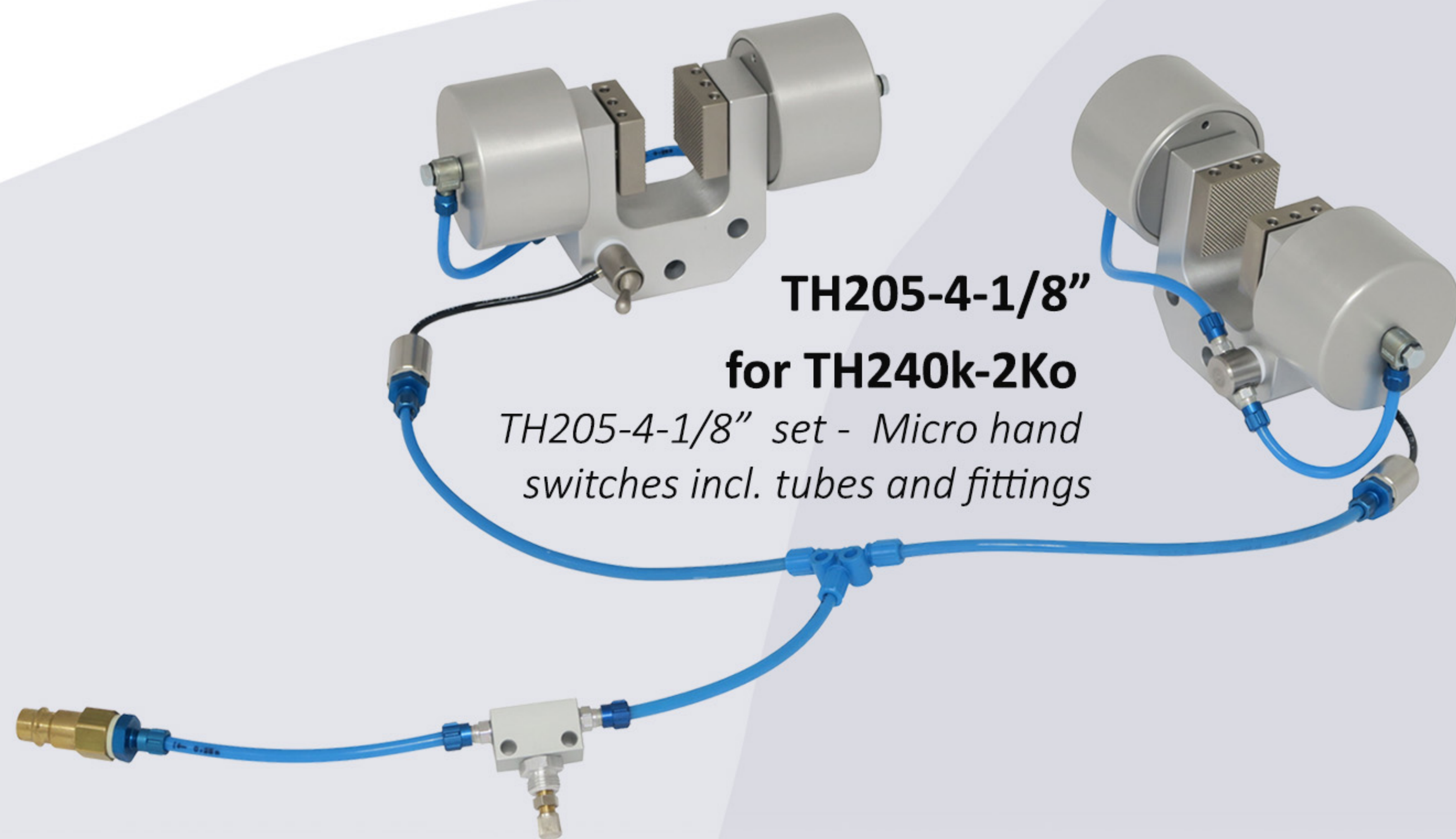
[Click here, to download all images and animations of the listed grips](#)





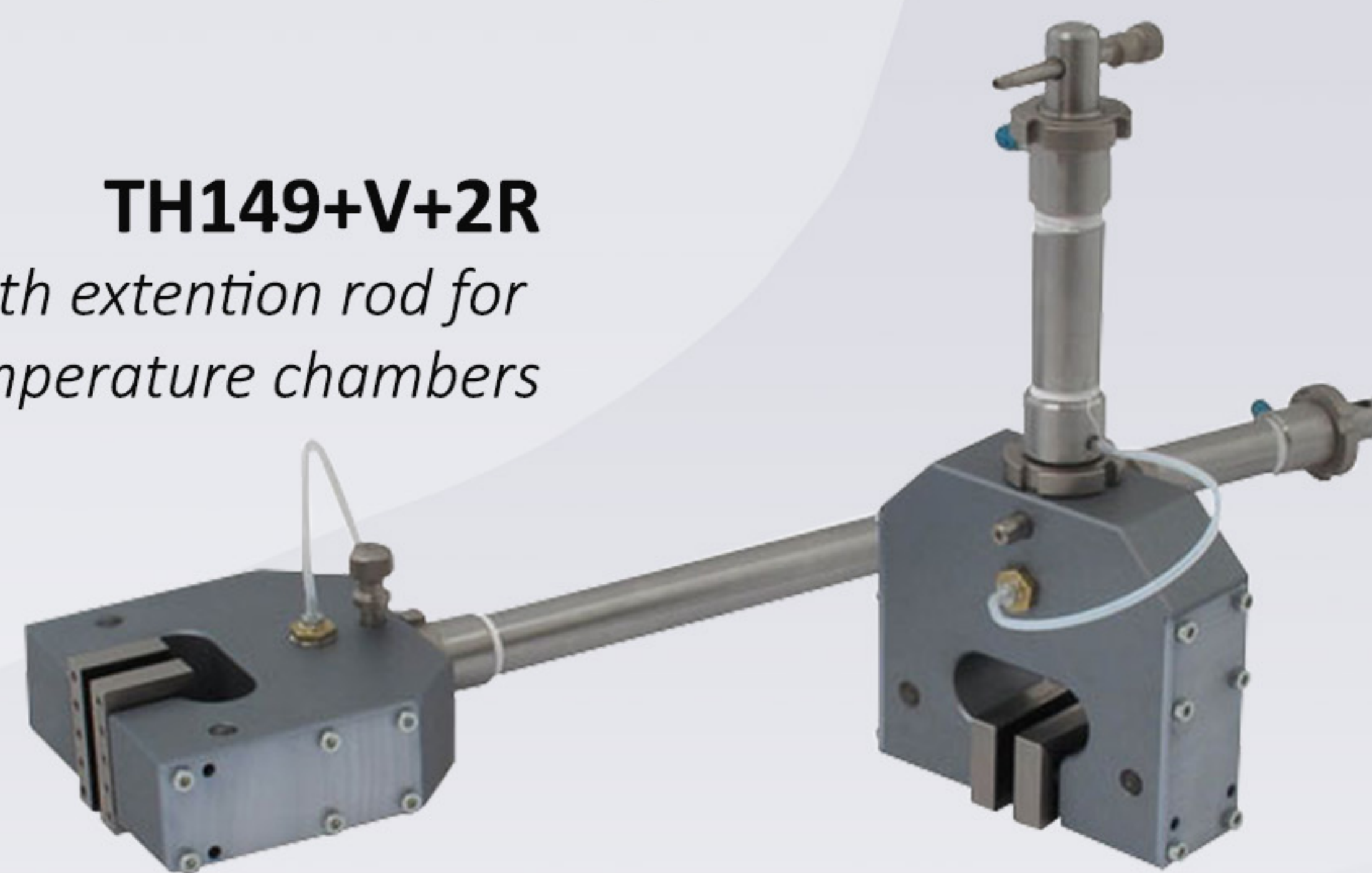
# A few examples,

*To demonstrate a few solutions for different grip types.*

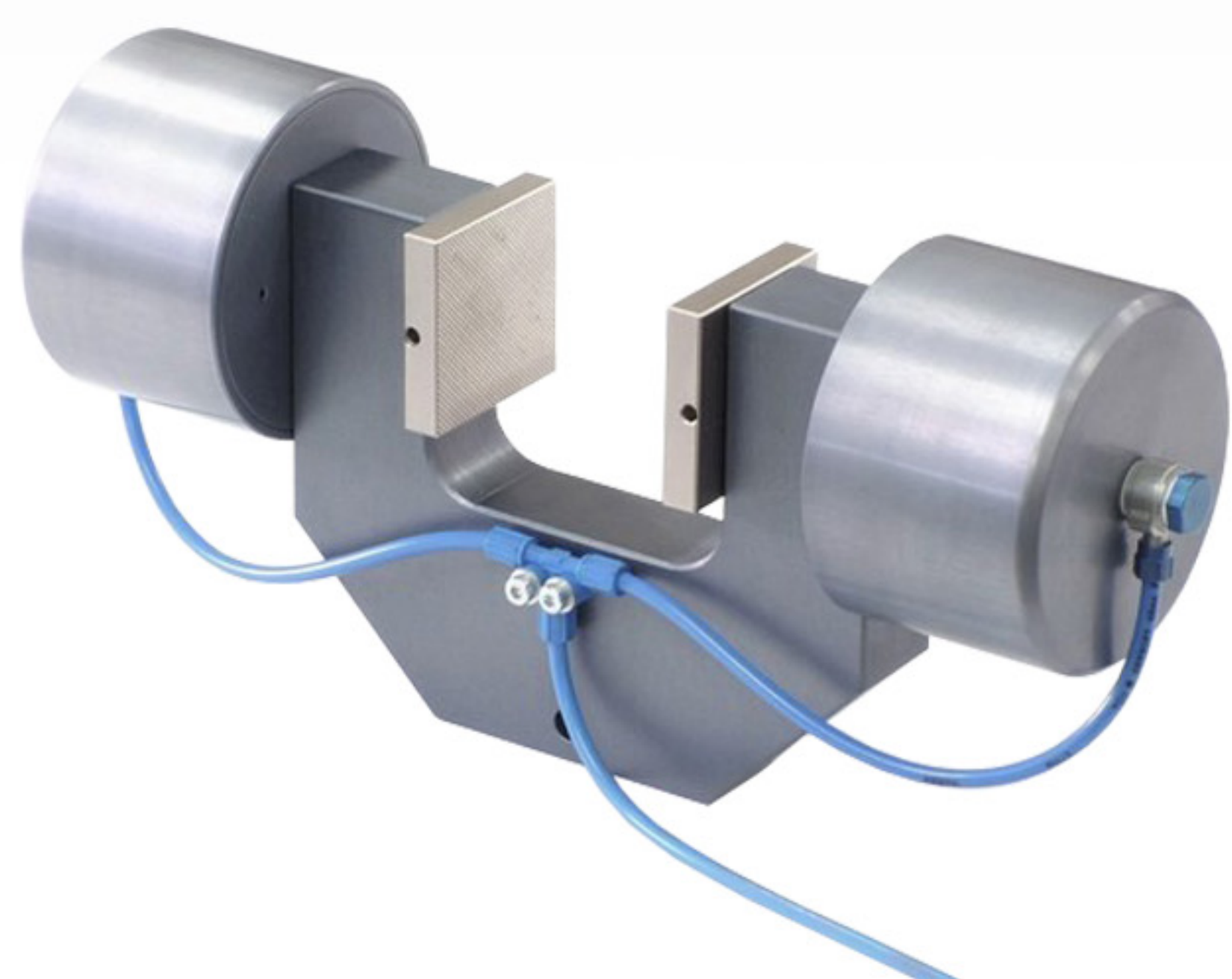
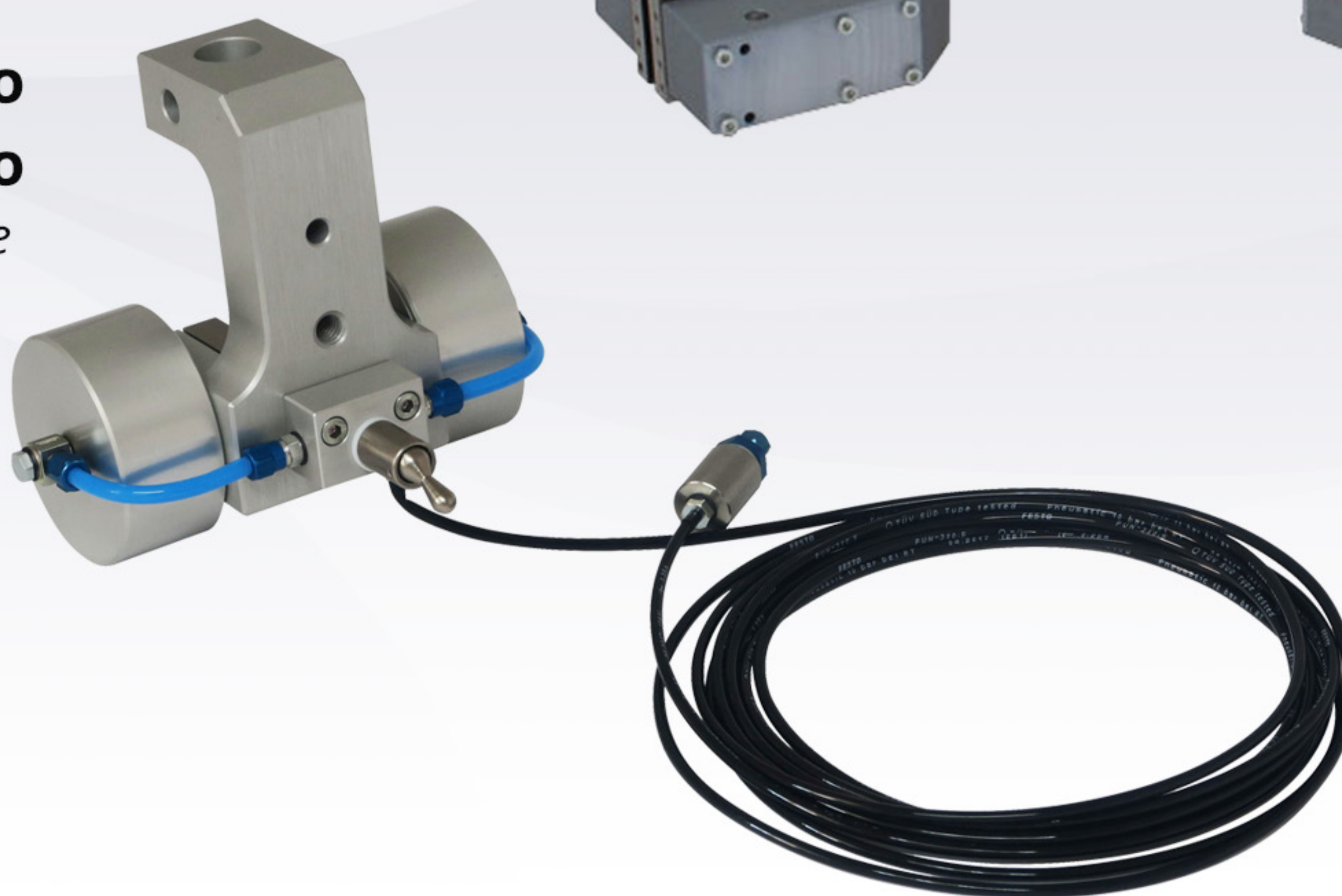


**TH205-4-1/8"**  
**for TH240k-2Ko**  
*TH205-4-1/8" set - Micro hand switches incl. tubes and fittings*

**TH149+V+2R**  
*With extension rod for temperature chambers*



**TH205-4-02-2Ko**  
**for TH56k-2Ko**  
*With one handswitch to operate 2Ko simultaneously.*



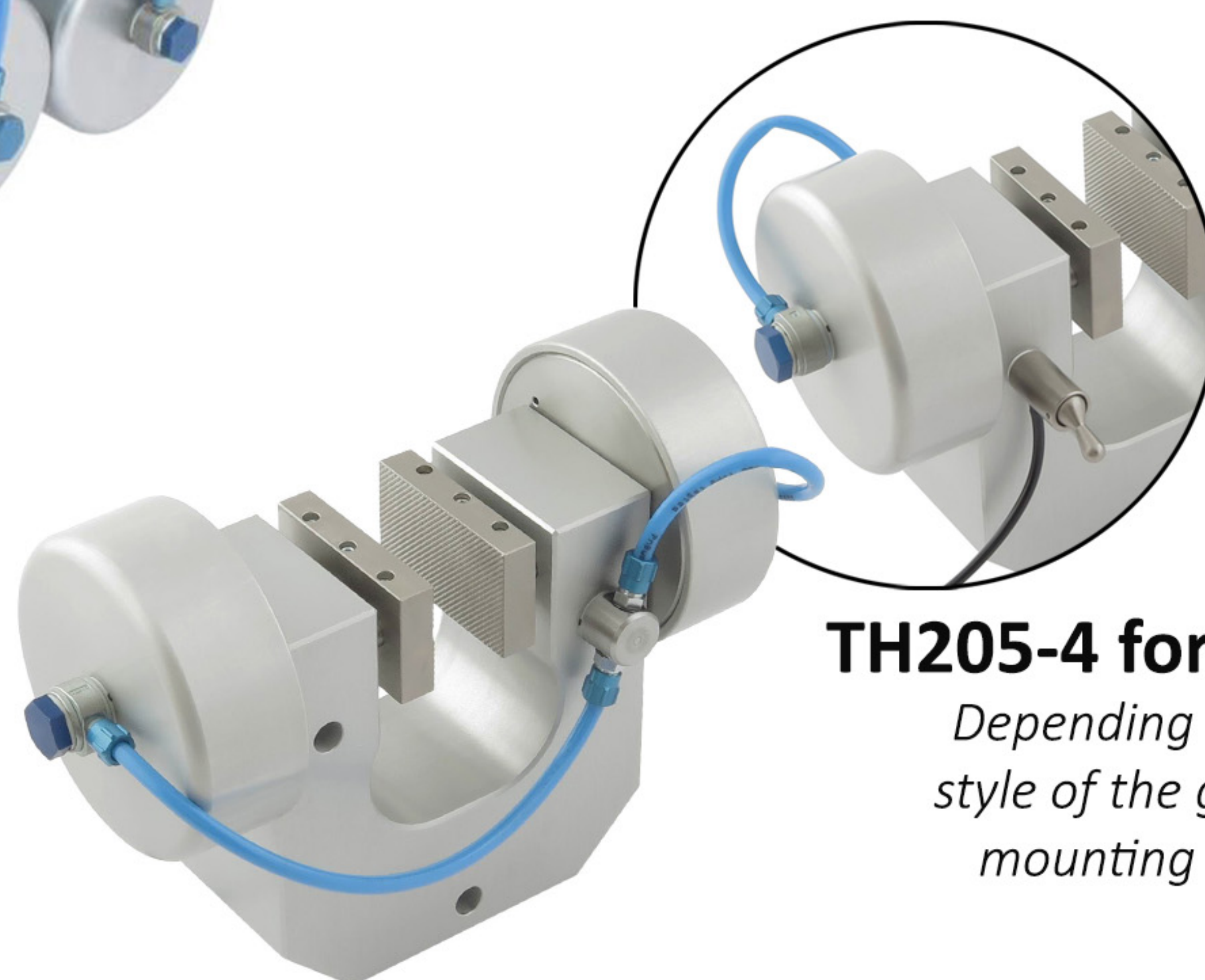
**TH205-T for 2Ko**

*Using the T joint to simply join the separate pistons.  
This can be connected to a separate handswitch, footswitch or safety switch.*



**TH205-connections for THS370-Ko**

*Connecting 2 , 3 or more pistons to one control switch.*



**TH205-4 for TH240g+2Ko**

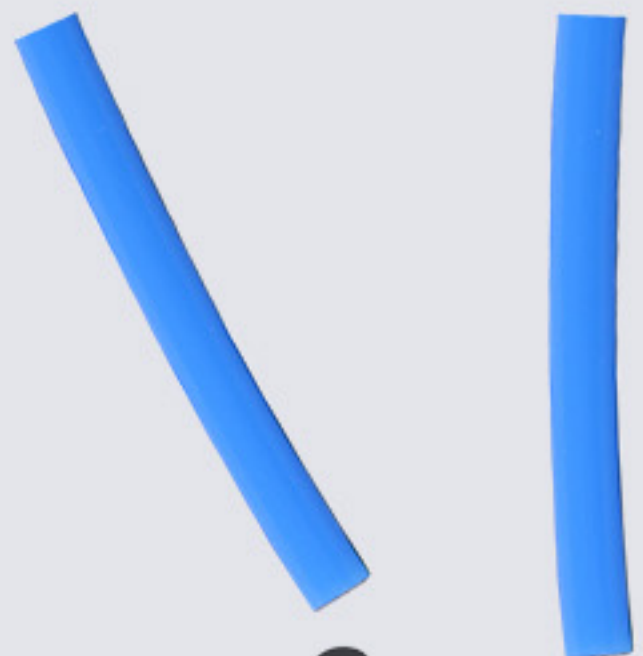
*Depending on the structure or style of the grip, the handswitch mounting position may vary.*



# Connection examples

To demonstrate a few standart connection methods.

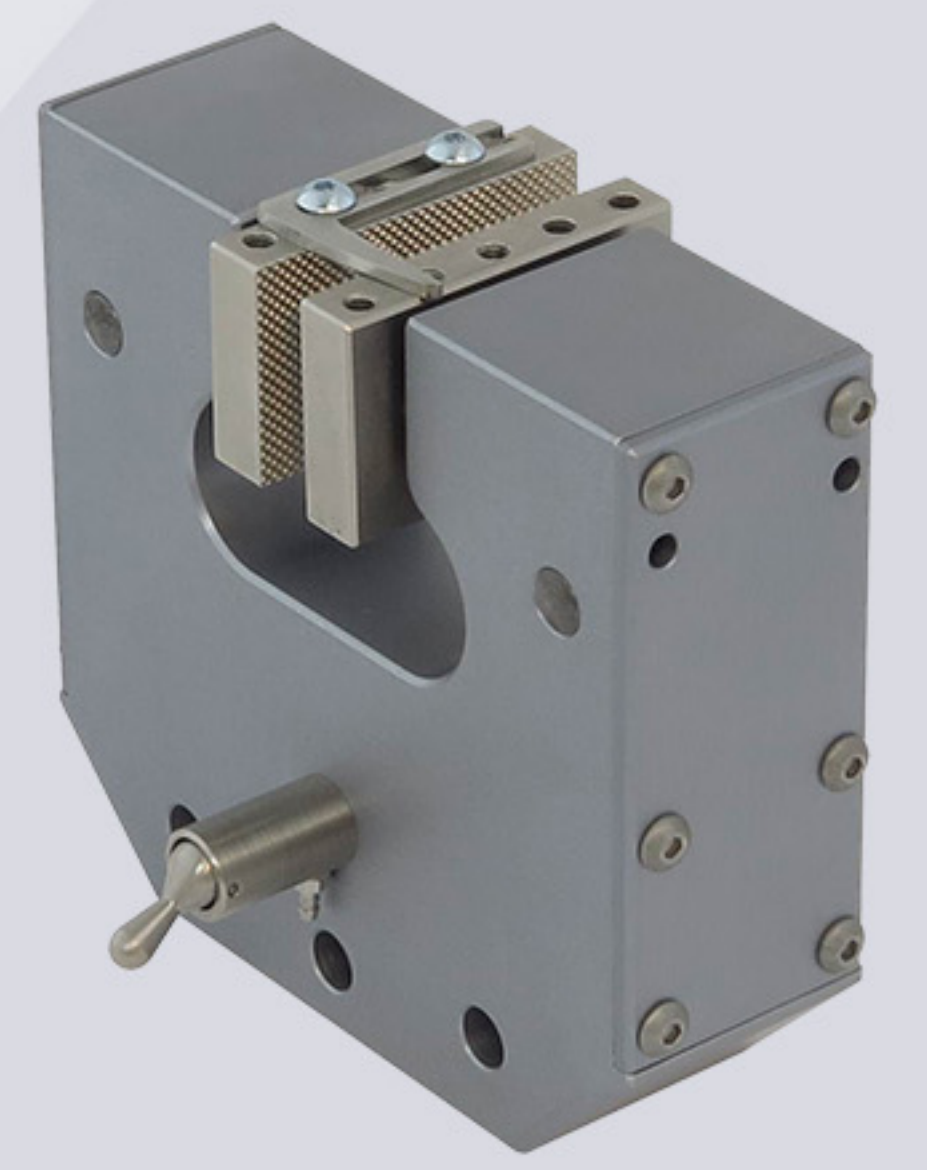
## Handswitch solutions



E.g. 4



E.g. 3

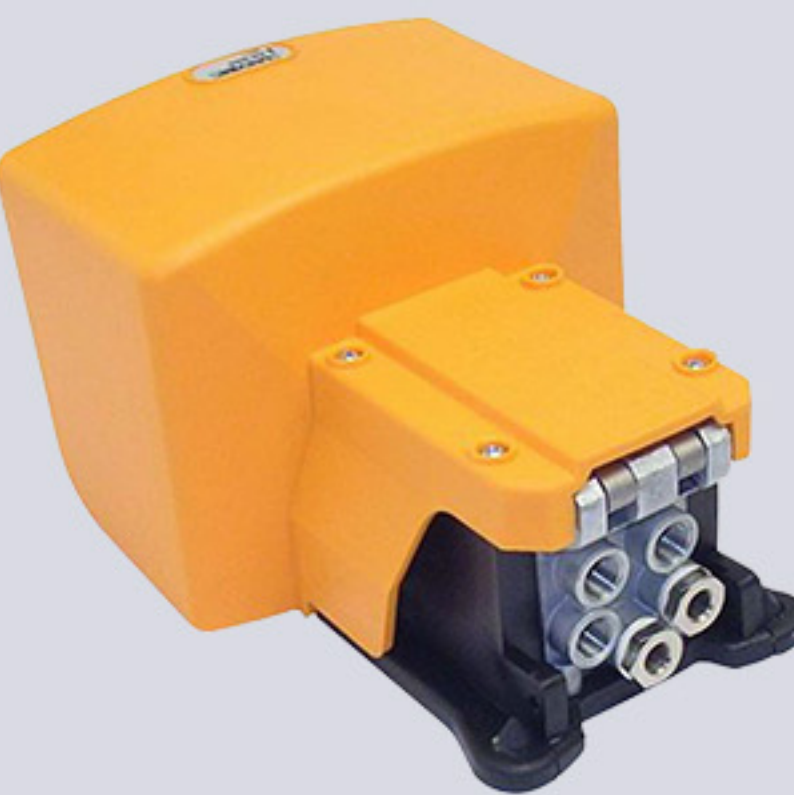


Optional TH205-Pk2 Teflon tube

Optional

Easy change joint

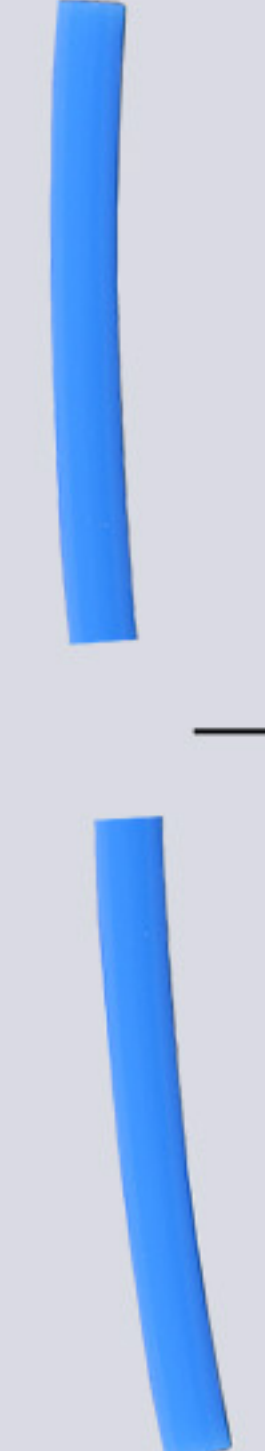
E.g. 1



E.g. 2



## Footswitch solutions



Optional Easy change joint

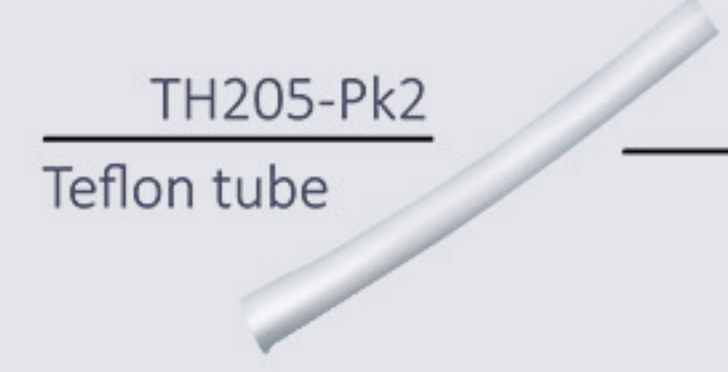
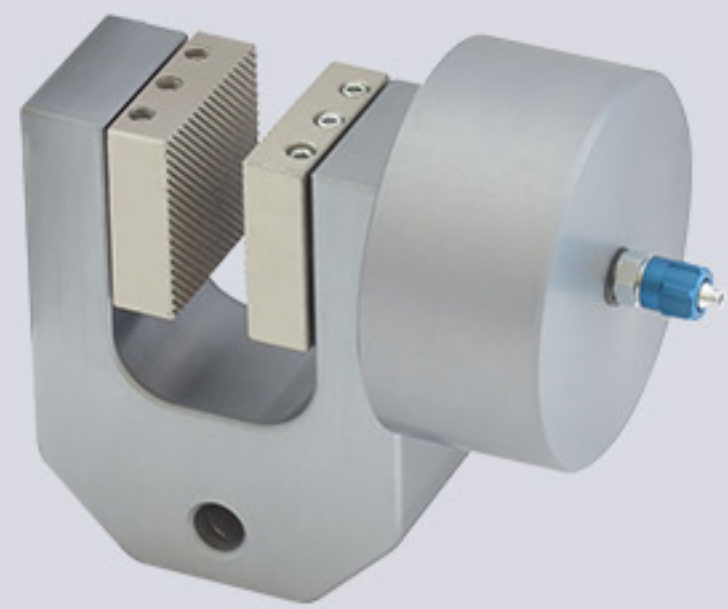
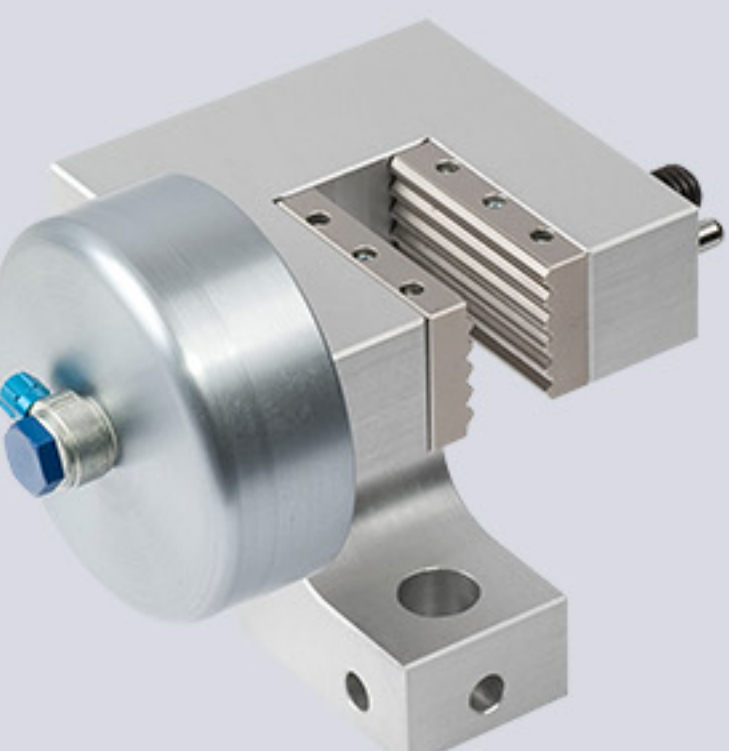


Optional Easy change joint



Optional TH205-Pk2 Teflon tube

Optional



Optional

TH205-Pk2 Teflon tube

Optional

Easy change joint

Optional

Easy change joint

Optional

Easy change joint

Optional

Easy change joint

Optional

Easy change joint

Optional

Easy change joint

Optional



Easy change joint

Optional

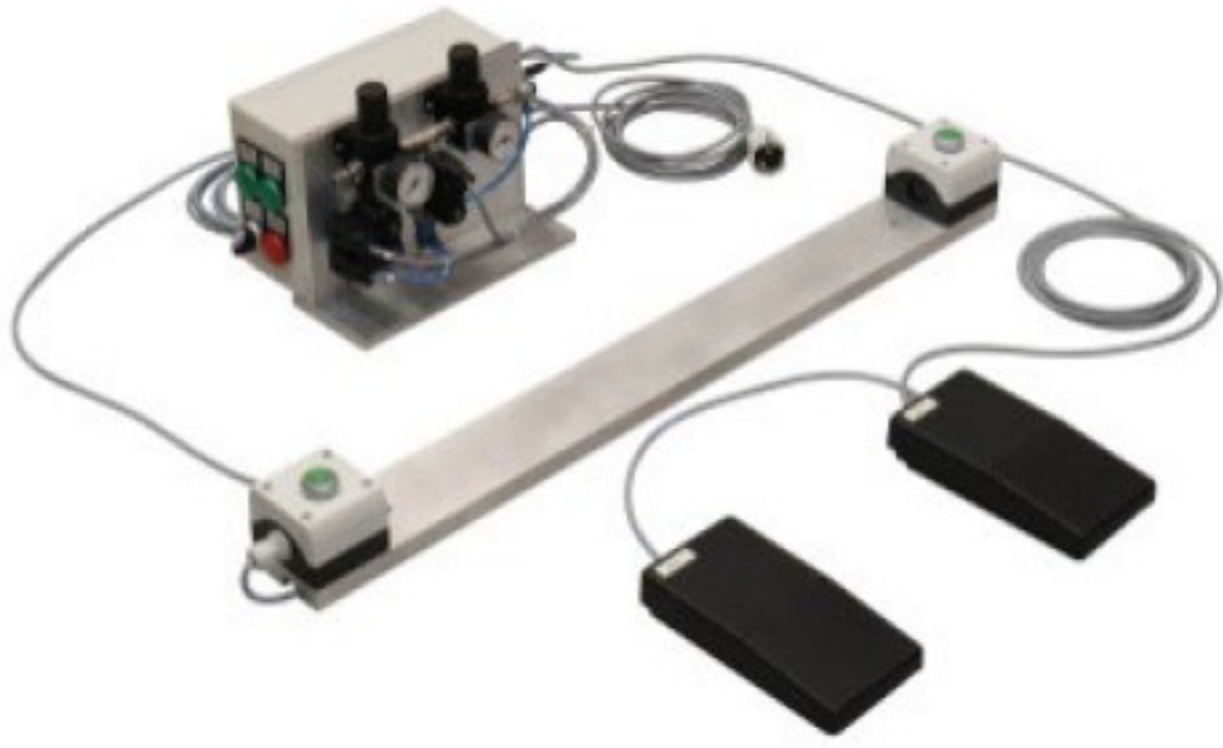
Easy change joint



**Pneumatic pressure control switches**

Type	Product	Description	Properties			
FOOT SWITCHES		<p><b>TH205-1</b></p> <p>The jaws of the grip open by pressing the foot pedal and close after removing the foot from the pedal. Only for single action rods with spring inside</p>	Pressure	Max. 10 bar		
		<p>Screw connection for fittings</p> <p>(Vent) Tube compatibility</p> <p>Fittings</p>	1/8" connection			
						
			<p>Pressure</p> <p>Screw connection for fittings</p> <p>(Vent) Tube compatibility</p> <p>Fittings</p>	Max. 10 bar	1/8" connection	
FOOT SWITCHES		<p><b>TH205-2 – locking</b></p> <p>The jaws of the grip open by pressing the foot pedal and remain opened after removing the foot from the pedal. The jaws close by pressing the pedal one more time. Only for single action rods with spring inside.</p>	Pressure	Max. 10 bar		
		<p>Screw connection for fittings</p> <p>(Vent) Tube compatibility</p> <p>Fittings</p>	1/8" connection			
						
			<p>Pressure</p> <p>Screw connection for fittings</p> <p>(Vent) Tube compatibility</p> <p>Fittings</p>	1-16 bar	1/8" connection	
<p>Adjustable pressure.</p> <p>Pressure regulator option for TH205-1 or TH205-2</p>						
	<p>Pressure</p> <p>Screw connection for fittings</p> <p>(Vent) Tube compatibility</p> <p>Fittings</p>	Max. 10 bar		1/8" connection		
FOOT SWITCHES		<p><b>TH205-8</b></p> <p>For double action rods.  For grips like THS321, TH109+Ko, THS132, THS889, THS527+Ko Without spring inside.</p>	Pressure	Max. 10 bar		
		<p>Screw connection for fittings</p> <p>(Vent) Tube compatibility</p> <p>Fittings</p>	1/8" connection			
						
			<p>Pressure</p> <p>Screw connection</p> <p>(Vent) Tube compatibility</p>	Max. 16 bar	M5 connection	
<p>Pneumatic micro – hand switches Only for single action rods with spring inside</p> <p>Used in TH149, TH83, TH232, TH108, THS65, THS132, TH56g+Ko, TH240g+Ko</p>		<p>Pressure</p> <p>Screw connection</p> <p>(Vent) Tube compatibility</p>		Max. 16 bar	M5 connection	
	<p>Pneumatic micro – hand switches Only for single action rods with spring inside</p> <p>TH229 TH56k+Ko TH240k+Ko, TH109-...-+Ko</p>			<p>Pressure</p> <p>Screw connection</p> <p>(Vent) Tube compatibility</p>	Max. 16 bar	1/8" connection
<p>With locking function Only for single action rods with spring inside.</p>			Pressure	Max. 16 bar		
	<p>Screw connection</p> <p>(Vent) Tube compatibility</p>	1/8" connection				
						

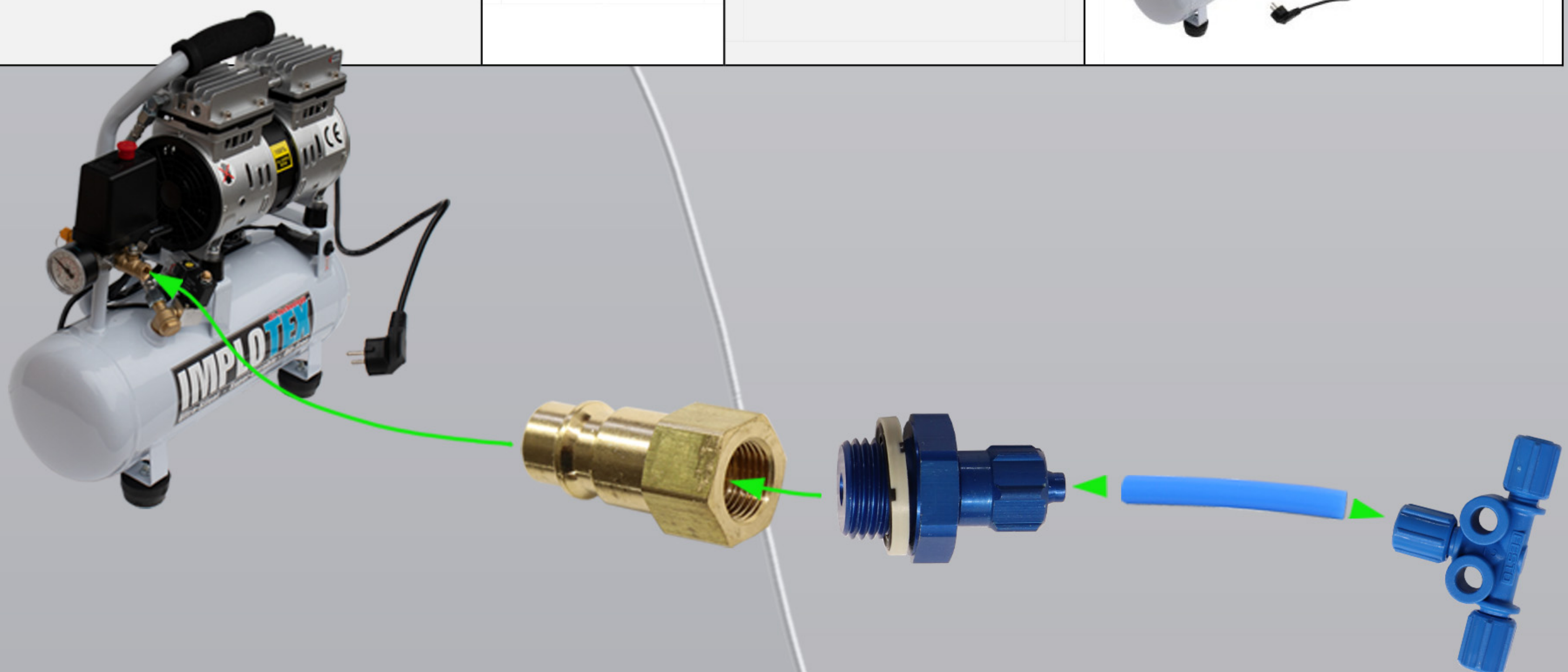


Type	Product	Description	Properties	
SAFETY SWITCH		<b>TH205-6-2H Safety system</b>  Single closing with foot pedals 0.5bar Hand switches increase pressure from 0.5 to 7 bar. Handling any button drops pressure back to 0.5 bar.	Pressure	Max.10 bar
			Electric box.	220 Volt
			2 x Hand buttons	
			2 x Foot pedals	

Fittings and connections			
Fitting name	Connection	Fitting	Tube
<b>Straight</b>			
<b>CK-1/8-PK3</b>	1/8"		 TH205-PK3
<b>CK-M5-PK3</b>	M5		 TH205-PK3
<b>CN-M5-PK2</b>	M5		 TH205-PK2
			 TH205-PK2-Teflon
<b>Angled</b>			
<b>LCK-1/8-PK3</b>	1/8"		 TH205-PK3
<b>LCK-M5-PK3</b>	M5		 TH205-PK3
<b>LCN-M3-PK2-B</b>	M3		 TH205-PK2
			 TH205-PK2-Teflon



Adapters and joints			
<b>TH205-PK23</b>	 TH205-PK3		 TH205-PK2  TH205-PK2-Teflon
<b>TH205-9-PK3-PK3</b>	 TH205-PK3		 TH205-PK3
<b>TH205-9-PK3-PK2</b>	 TH205-PK3		 TH205-PK2  TH205-PK2-Teflon
<b>TH205-T-PK3</b> T-fitting for PK3	1  TH205-PK3		= 2x  TH205-PK3
<b>Connecting nose for the compressor</b>			



Also see our overview table here : [TH205-Switches&Fittings\\_Overview\\_Table-EN.pdf](#)