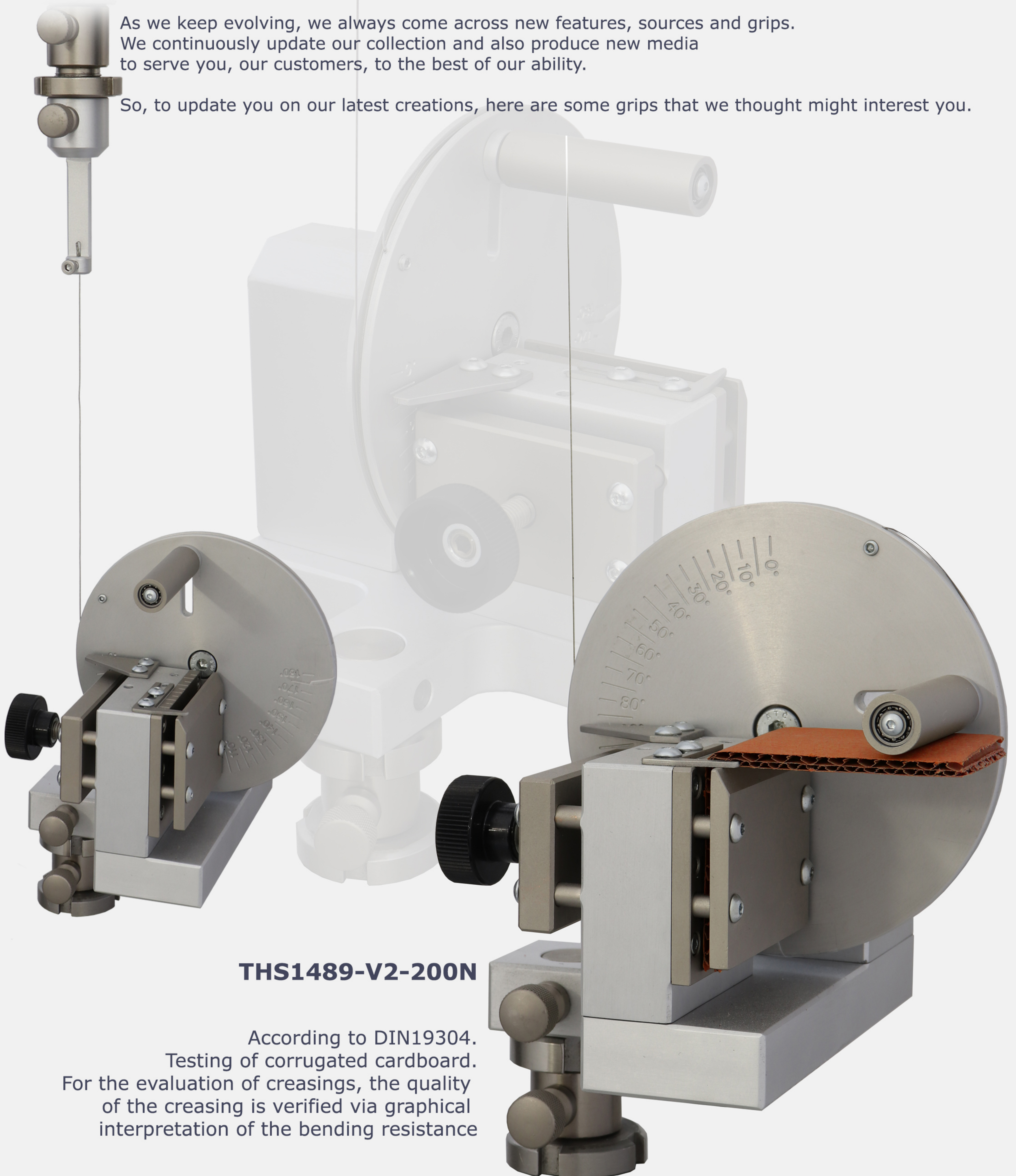


Newsletter

Recently.....,

As we keep evolving, we always come across new features, sources and grips. We continuously update our collection and also produce new media to serve you, our customers, to the best of our ability.

So, to update you on our latest creations, here are some grips that we thought might interest you.



THS1489-V2-200N

According to DIN19304.
Testing of corrugated cardboard.
For the evaluation of creasings, the quality of the creasing is verified via graphical interpretation of the bending resistance

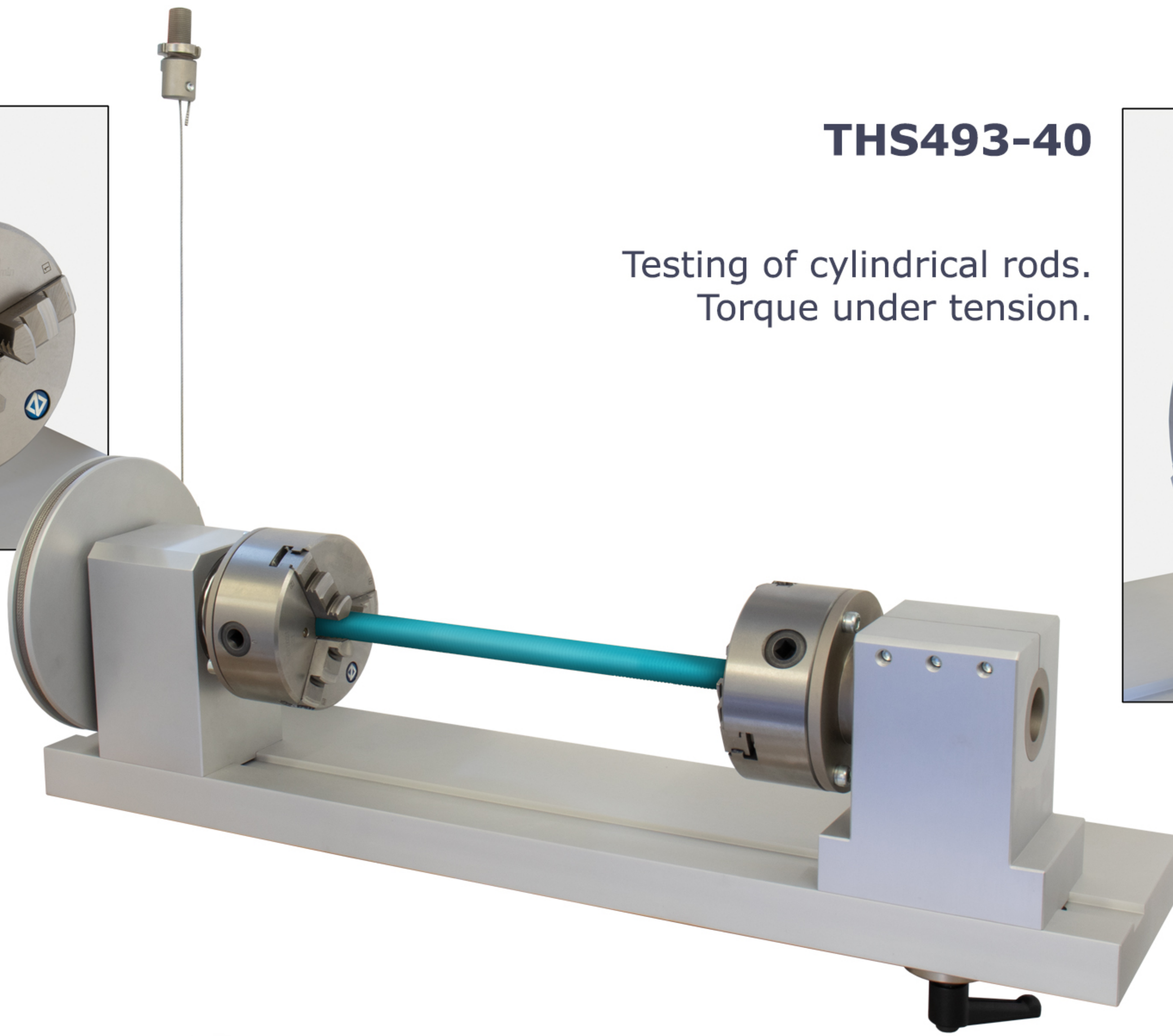
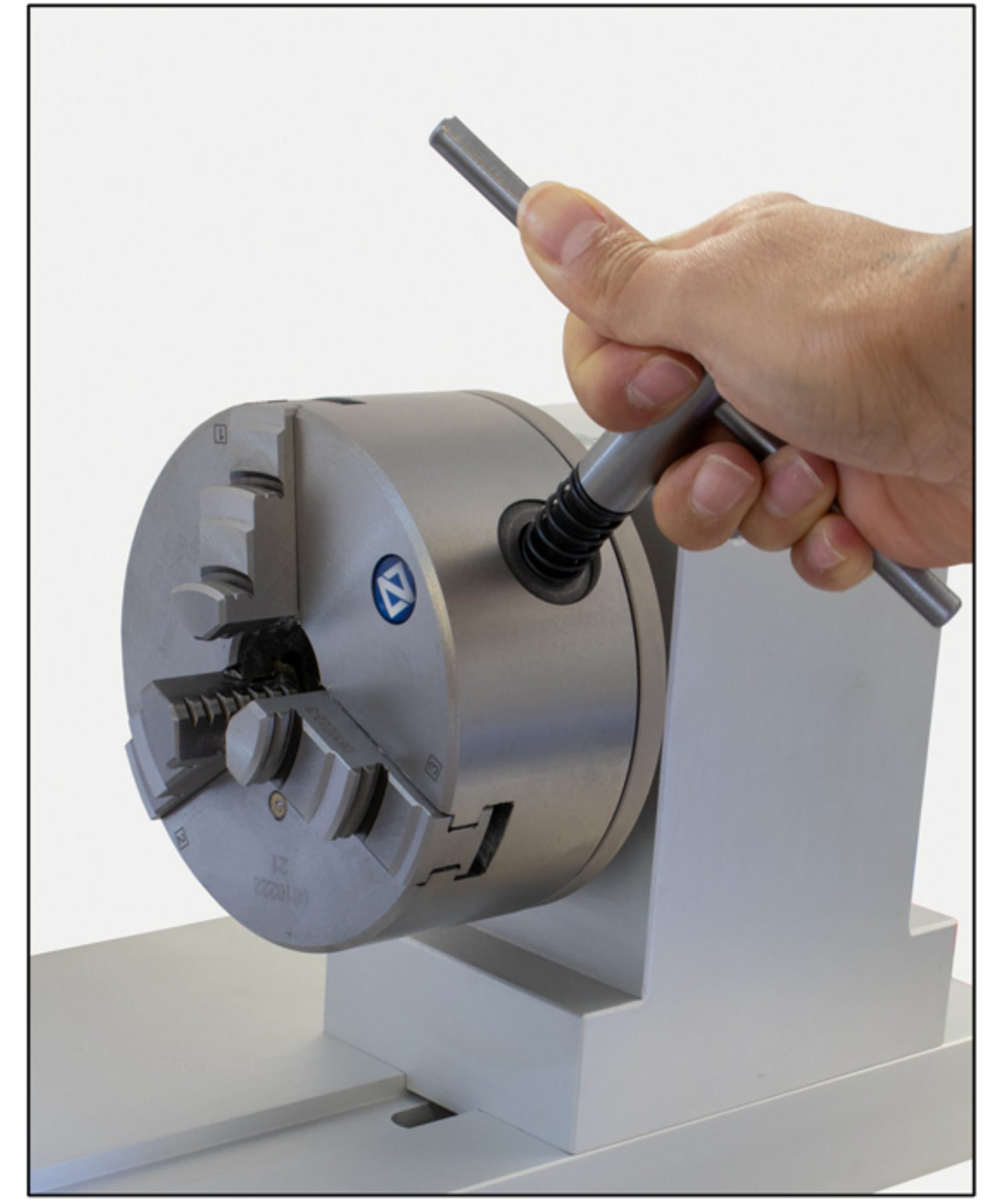
[Click here, to download all images and animations of the listed grips](#)





THS493-40

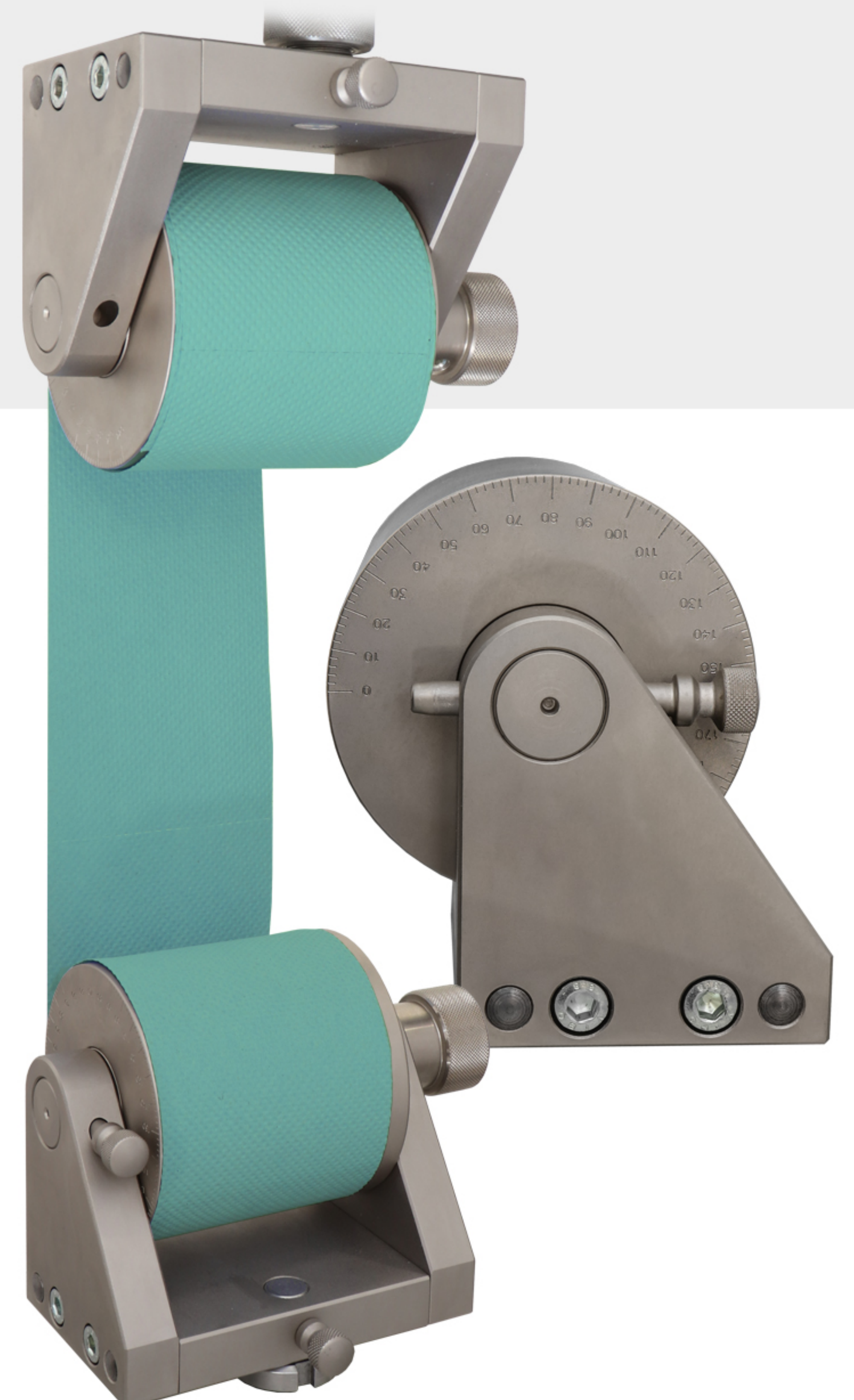
Testing of cylindrical rods.
Torque under tension.



THS633-130-GT+E25

According to GOST 209-75-B
Methods of determination of metal bond strength at tearing.

Testing of adhesives like rubber and glue, to determine
the strength of their connection on metal during separation.



THS919-100-100-E20

According to ASTM-D3759
EN14410.

Testing the ultimate tensile strength
and elongation of reinforced tapes.

Usually used for reinforced woven textile tapes



TH208+BW

According to ASTM-D4595.

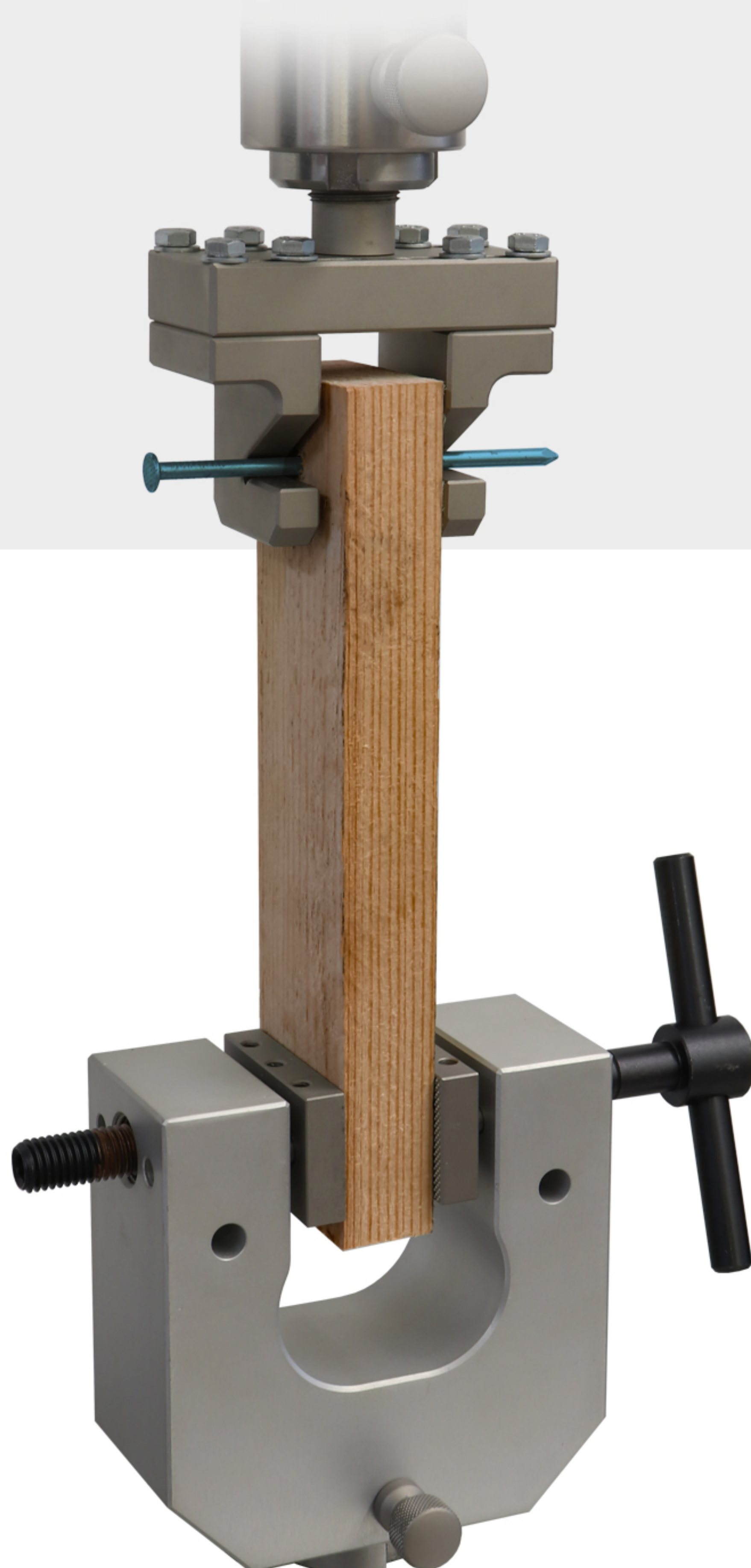
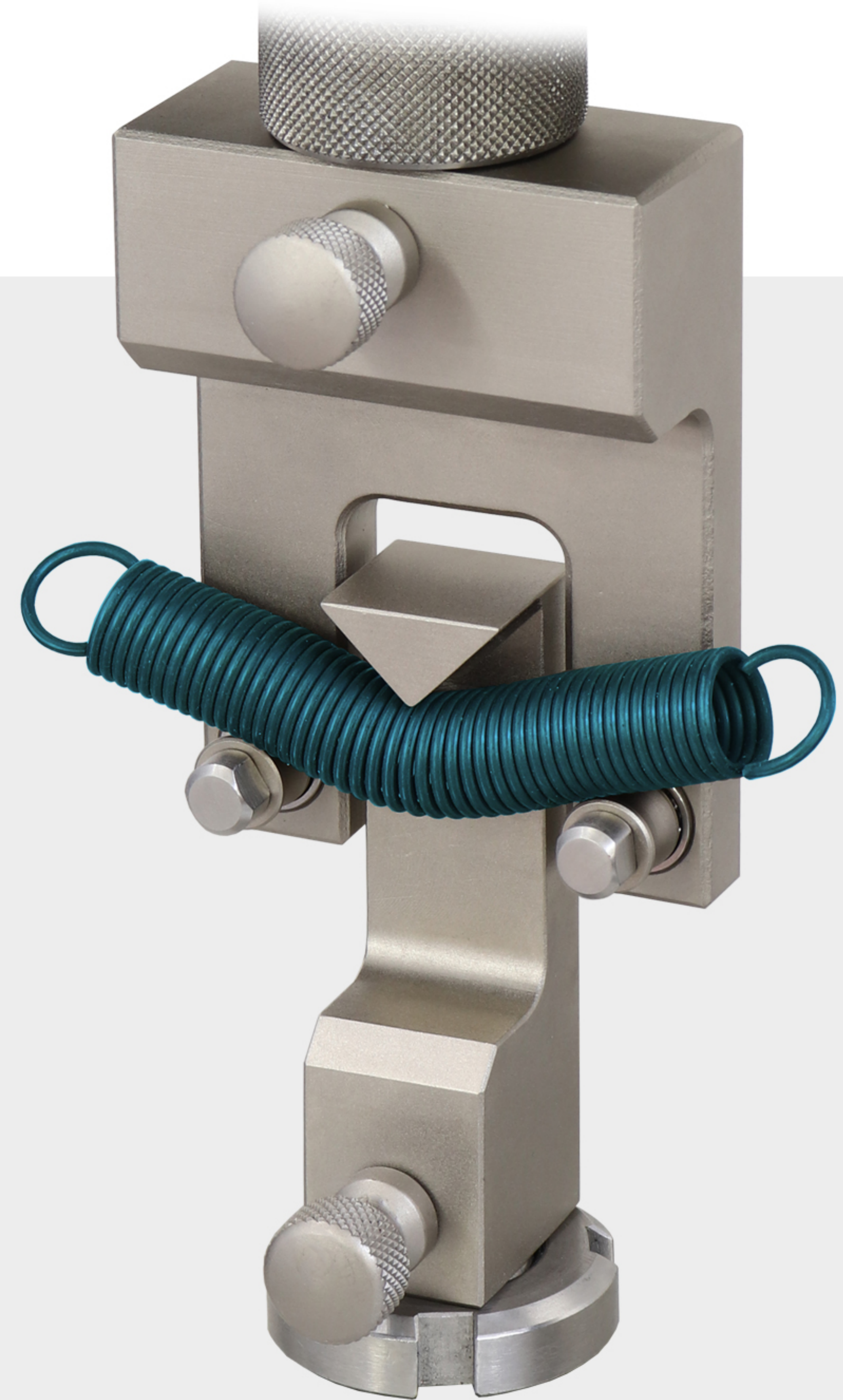
testing of wide width geotextile specimens including woven fabrics, nonwoven fabrics, layered fabrics, knit fabrics, and felts that are used for geotextile application.



THS1071

According to ASTM-D2519.

This test method is to determine the bond strength of an electrical insulating varnish when applied to a helical coil



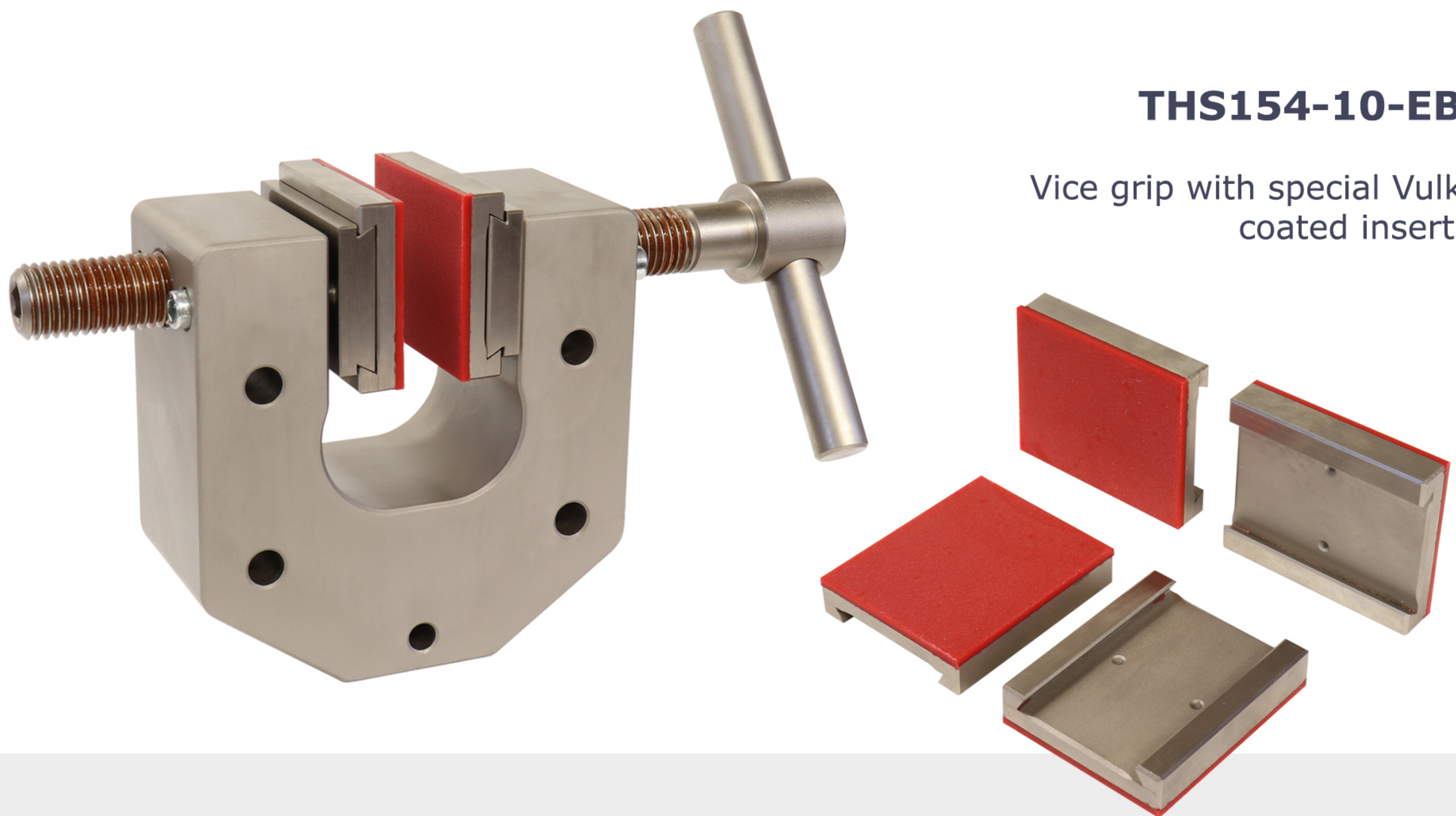
THS1669

According to ASTM-D1037-fig.11

To measure resistance of nails in direct withdrawal from wooden specimens.

Vulkollan coating

Introducing our latest update, Vulkollan coating for high resistance wear.



THS154-10-EBGVu

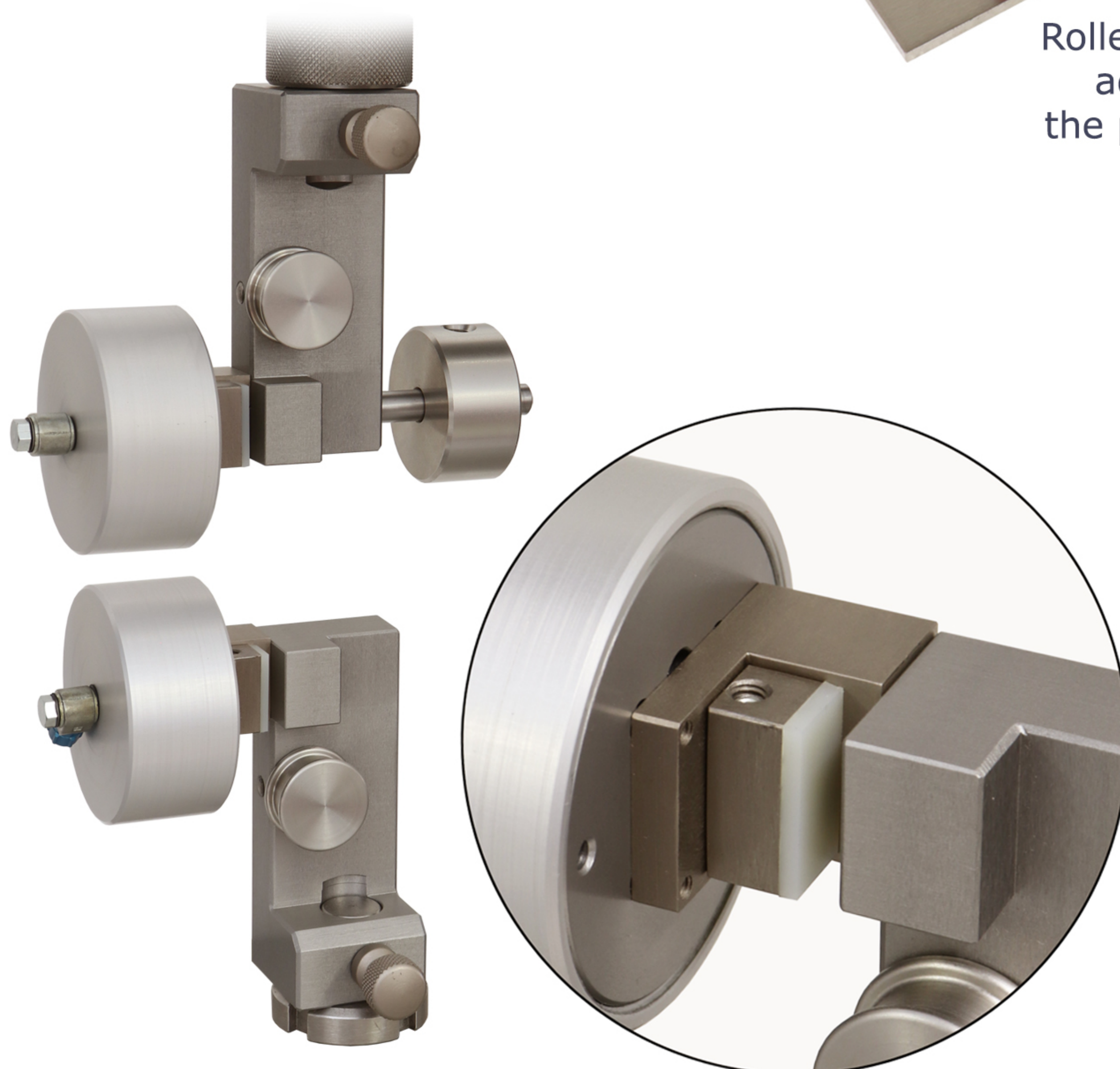
Vice grip with special Vulkollan coated insert jaws.

Vulkollan is a high-grade polyurethane elastomer based on raw materials from Bayer MaterialScience: Desmodur 15 and special polyester polyols. The rubber-elastic material boasts outstanding mechanical load-bearing properties and dynamic load resistance.



THS989-95x45-HR

Rollers for peel strength tests to apply adhesive samples to a test panel of the peel fixture with an even pressure.



TH76-1-Ko+BGVu

With special Vulkollan coated jaws for high wear resistance
Temperature range 0 ... +70°C