

Newsletter

Issue : 2023 - 06

Author : Veena Jay

Sample preparation tools

This newsletter introduces a variety of cutter stencils and Pressing tools that are used for sample preparation.

We have prepared a table for you.

Here you can directly find the right cutter according to the standard. (Click to view)

Cutters according to ASTM, DIN, ISO... table



Download datasheet for wooden tools



THS265-CW

Cutters with wooden plate



THS265-CWB

Boneshaped cutters with wooden plate.



THS265-

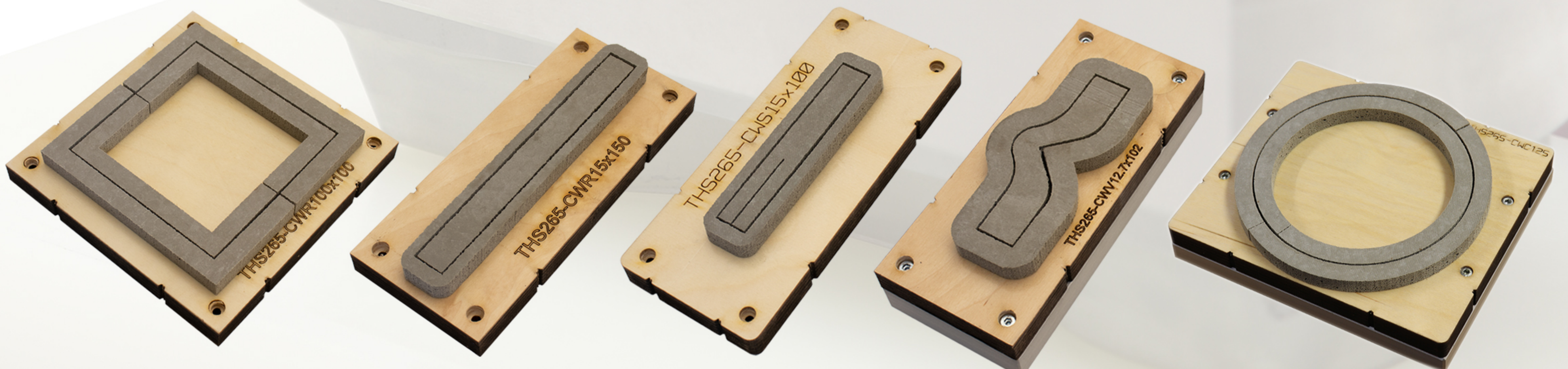
CWR

CWR

CWS

CWV

CWC



+ Click -



Download images



Download datasheet

THS265-CH

Cutters made of hardened steel



THS265-CHB

Bone shaped cutters
made of hardened steel.



Other shapes

THS265-

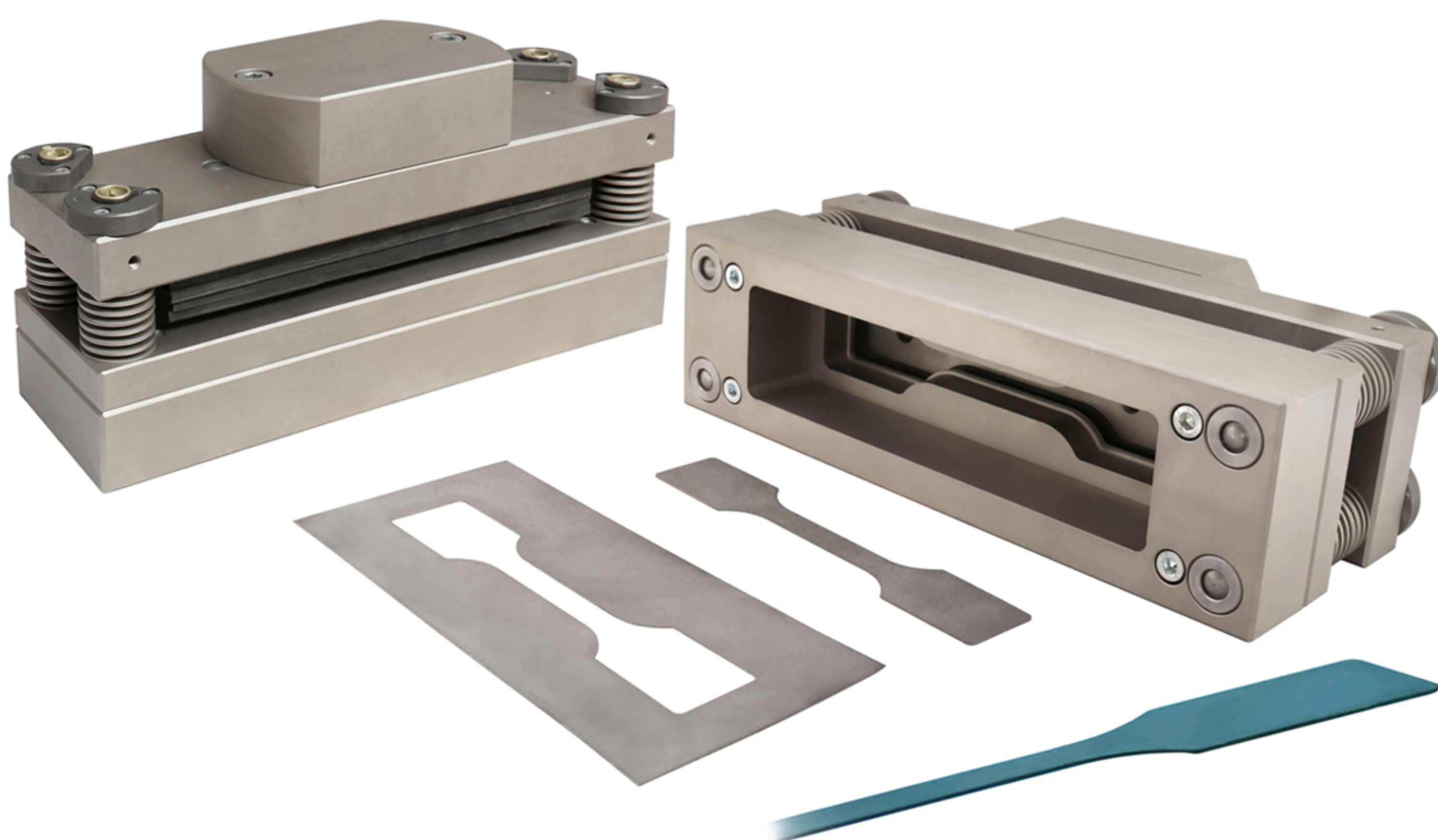
CHC

CHV

CHR



These cutters can be used with THS265-PM, THS265-PH100 and with adapters.
*We also deliver other shapes on request



THS265-CSS

Heavy cutter
For thin metal foils, steel sheets, etc.
up to max. 2 mm thick

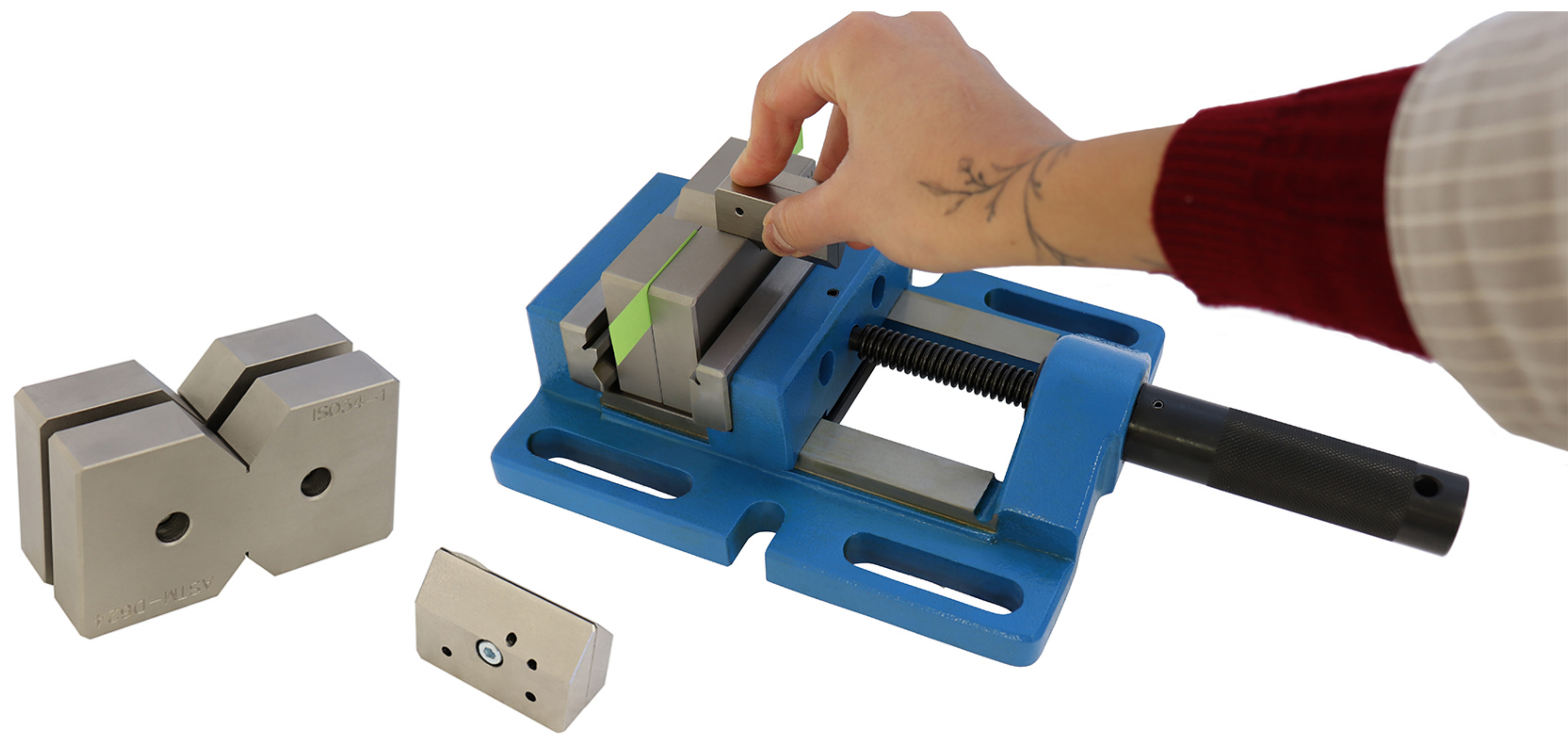


Other cutting tools

THS1678-Nick cutter

To make a notch in specimens for tear testing.

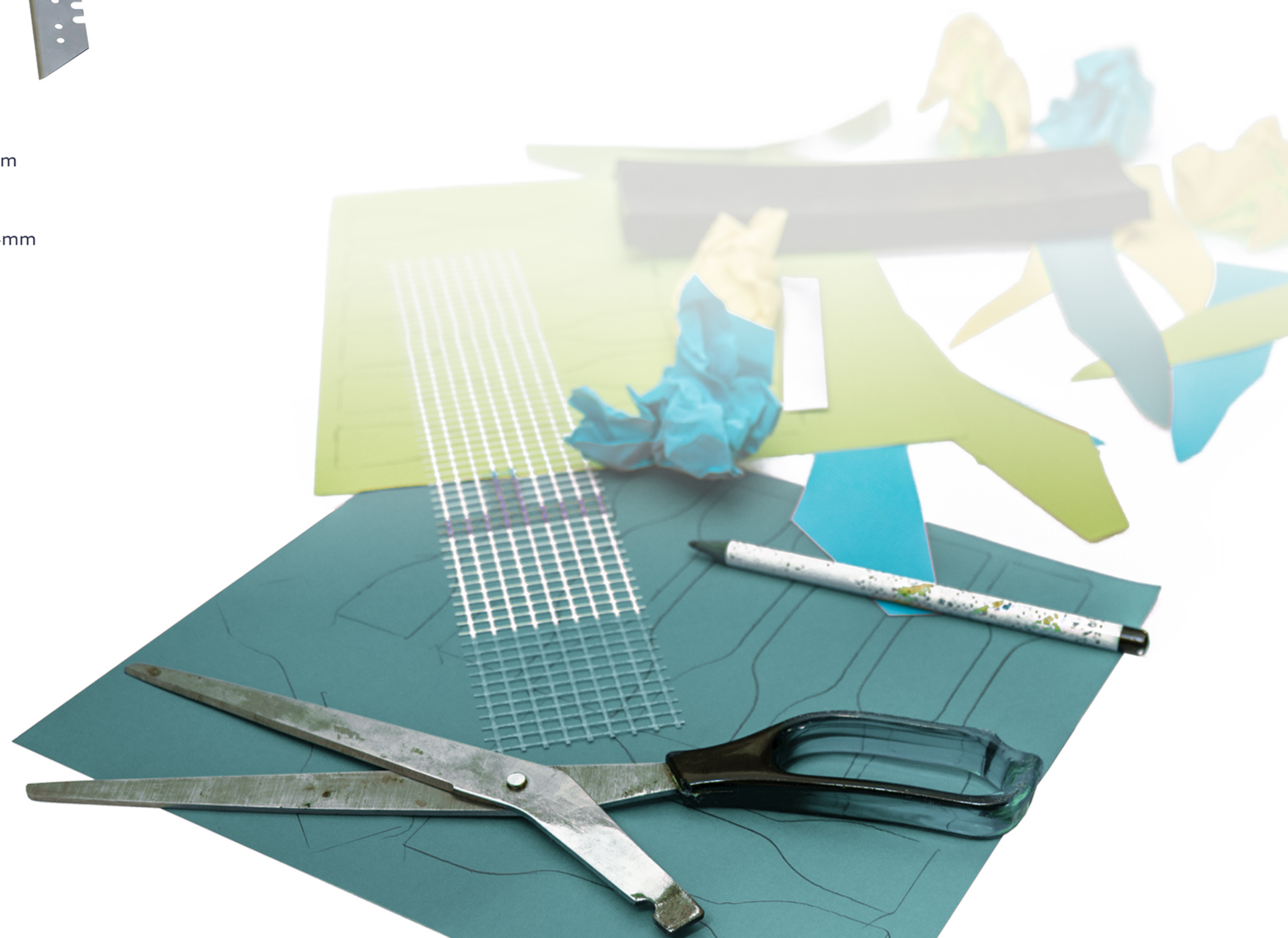
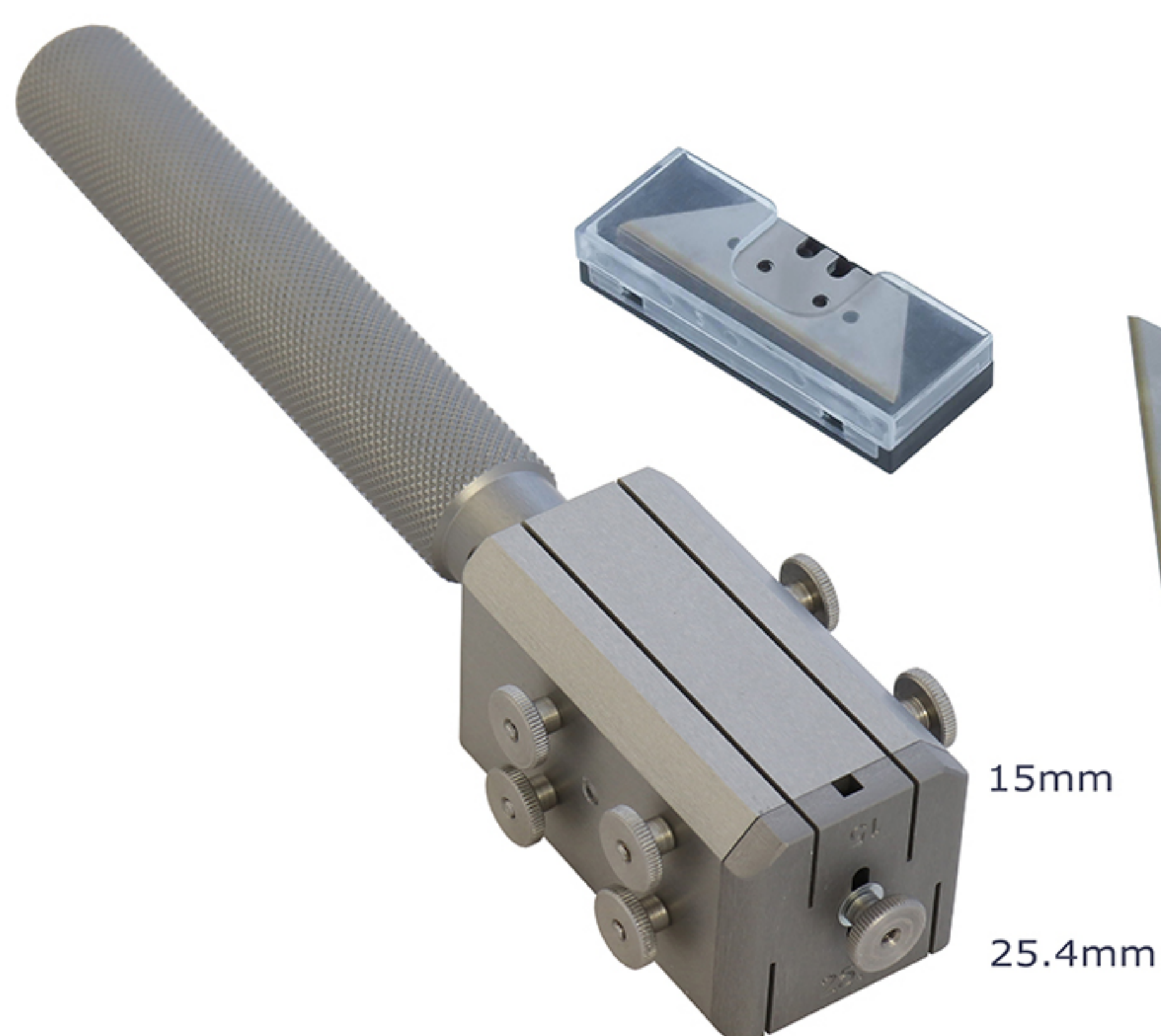
ASTM-D624 Type B
ISO-34-F1



THS1232 Cutter

Manual dual blade sample cutter for preparing specimens.

ASTM-F88 and ASTM-D882
similar to ASTM-D6287



Hydraulic Press



THS265-PH100



Max. pressure:	700bar
Tank size:	0.9 L
Output flow rate:	0.13 l/min at 700 bar; 0.5 l/min at 0 bar
Dimensions:	450x190x190 mm
Weight:	9 kg
Scope of supply:	1 pump incl. high pressure hose (1.8 m long)



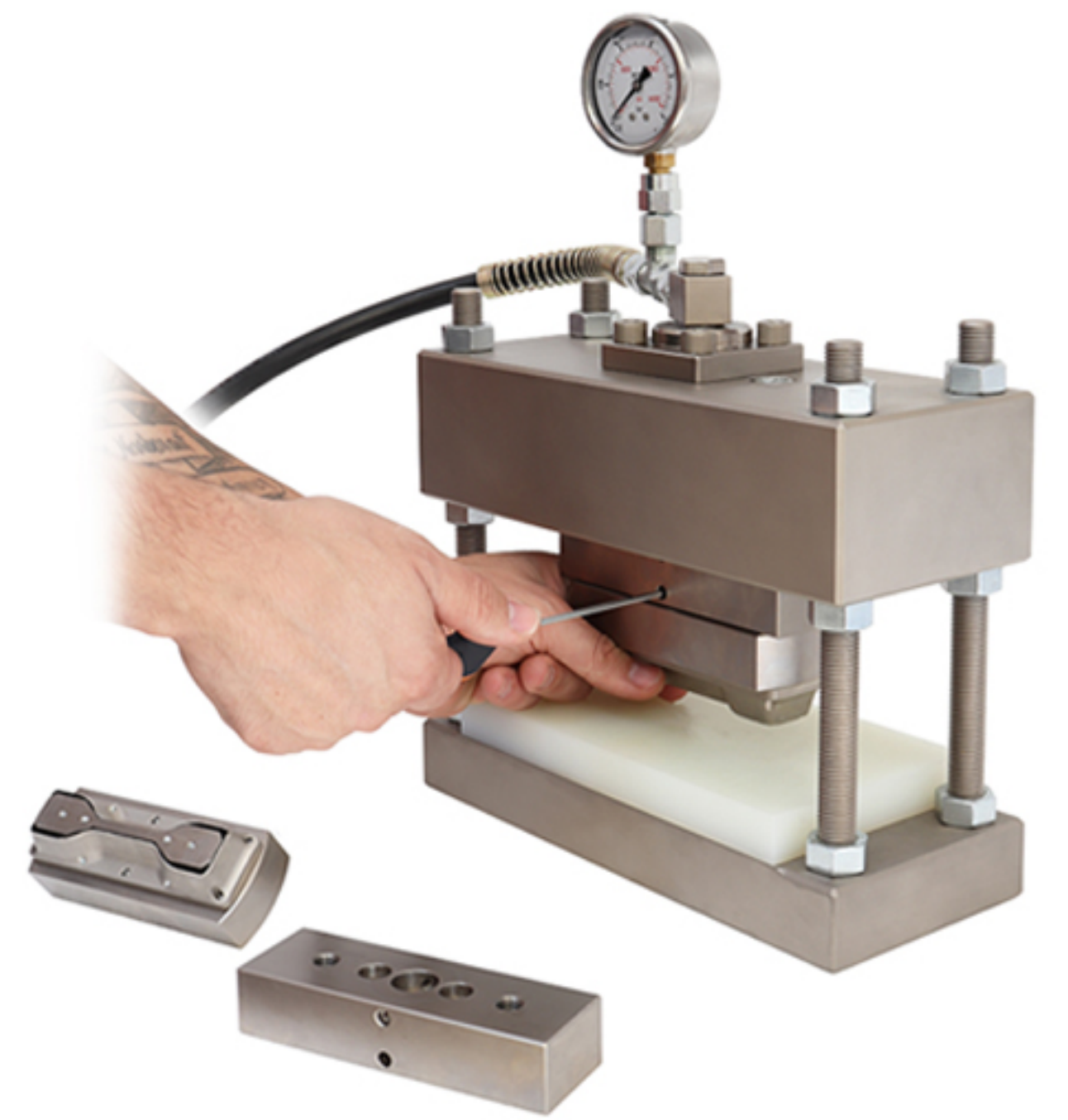
Including hydraulic pump with foot switch



Cutter level is adjustable



Replaceable cutter and nylon plate



Manual press

The manual Press is available in three different models. See the table to compare.



THS265-PM17

17 kN
35 kg
Ca. 170 x 270 x 415 mm



THS265-PM8

8 kN
22 kg
Ca. 160 x 230 x 410 mm



THS265-PM26

26 kN
46 kg
Ca. 140 x 310 x 475 mm



Effortless handling



Cutter level is adjustable



Replaceable cutter and nylon plate



Using cutter with adapter

Adapter + platens for direct use in tensile tester
no press needed
Including nylon counter plate (120x220 mm)



Other preparation tools

THS989 Roller

Rollers to apply adhesive samples with an even pressure.
Method used for peel strength tests

DIN EN1939, DIN EN ISO29862
FED-STD-141D, ASTM-D5169,
ASTM-D5170, BS EN12242
ASTM-D3330



THS1390-Mold

Mold-2.5x150x150
Mold for Sample Preparation

