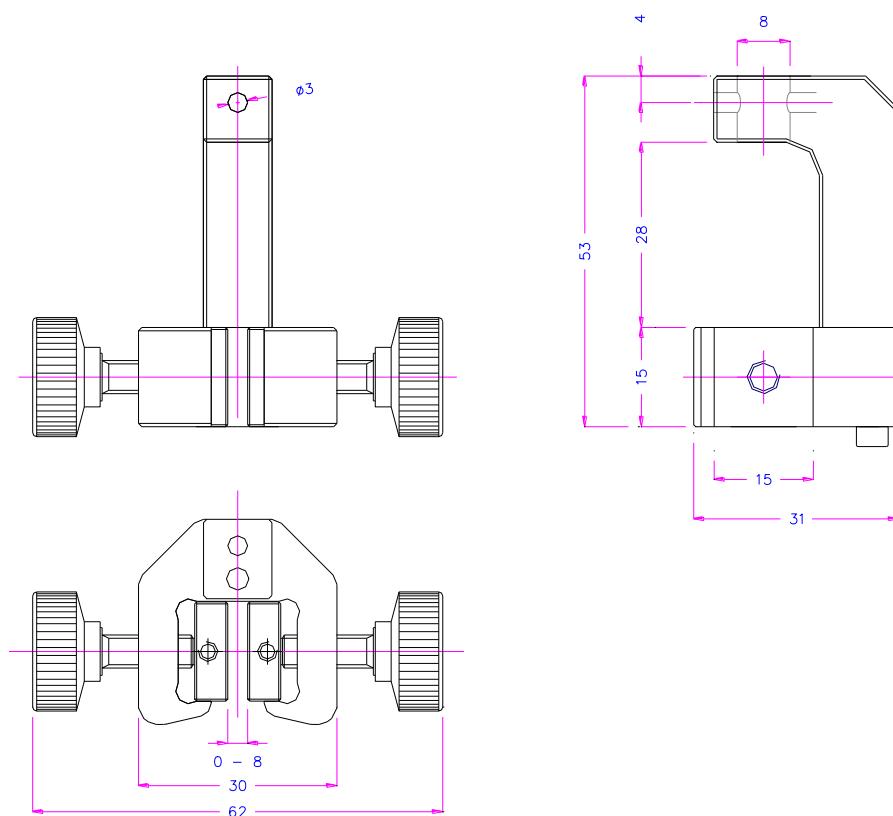


SERIES OF SMALL VISE GRIPS

- Lightweight grips for universal use for small samples
- For load cells < 50 N

Item no.:	TH140k
Load capacity:	100 N
Jaw clamping surface:	15x15 mm
Jaw opening:	0-8 mm depending on jaw type
Standard coupling:	Af8. Further couplings on request
Body:	Anodized aluminium
Jaws:	Hardened steel 58HRC
Temperature range:	0 ... +70°C Further temperature ranges on request
Weight per grip without jaws:	57 g
Scope of supply:	1 pair of grips without jaws



TH140k

Jaws for TH140 series:

Item no.	Jaw face	Clamping surface	Jaw opening	Weight per pair
TH140-B	Blank (smooth)	15x15 mm	0-8 mm	14 g
TH140-BG	Rubber-coated	15x15 mm	0-6 mm	16 g
TH140-BP	Pyramid (serrated)	15x15 mm	0-8 mm	14 g



TH140-B



TH140-BG

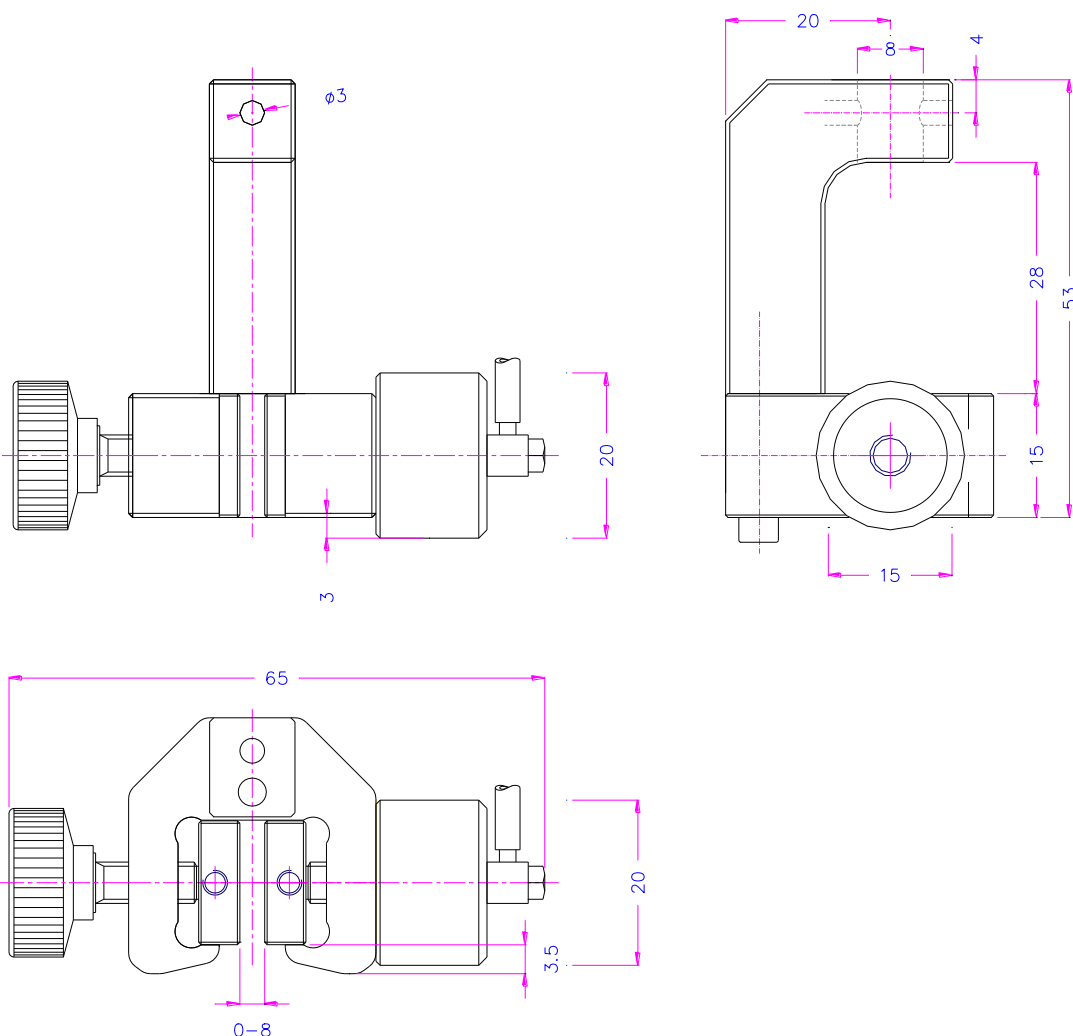


TH140-BP

Pneumatic version

Item no.: TH140k+Ko

Clamping force:	140 N at 7 bar
Jaw clamping surface:	15x15 mm
Jaw opening:	0-8 mm depending on jaw type
Standard coupling:	Af8. Further couplings on request
Pneumatic connection:	M3. We supply with a small black tube 2 mm
Body:	Anodized aluminium
Jaws:	Hardened steel 58HRC
Temperature range:	0 ... +70°C Further temperature ranges on request
Weight per grip without jaws:	66 g
Scope of supply:	1 pair of grips without jaws

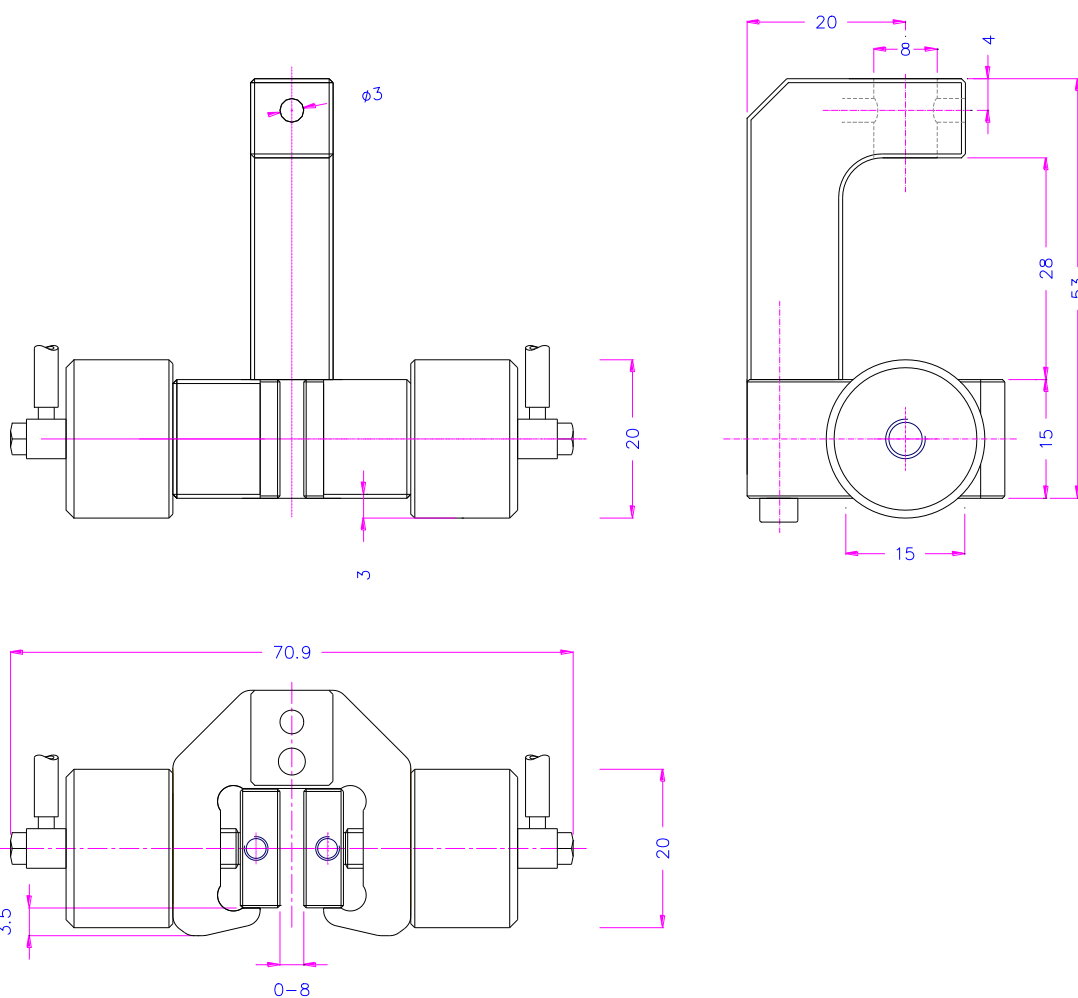


140N (7bar)

TH140k+Ko

Pneumatic version

Item no.:	TH140k+2Ko
Clamping. force:	140 N at 7 bar
Jaw clamping surface:	15x15 mm
Jaw opening:	0-8 mm depending on jaw type
Standard coupling:	Af8. Further couplings on request
Body:	Anodized aluminium
Jaws:	Hardened steel 58HRC
Temperature range:	0 ... +70°C Further temperature ranges on request
Weight per grip without jaws:	80 g
Scope of supply:	1 pair of grips without jaws



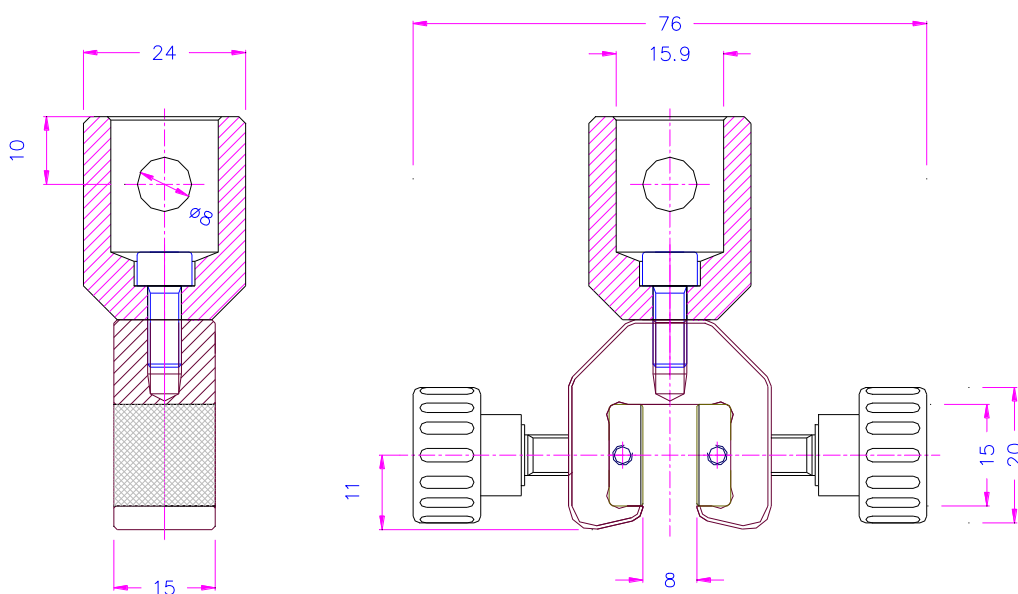
140N (7bar)

TH140k+2Ko

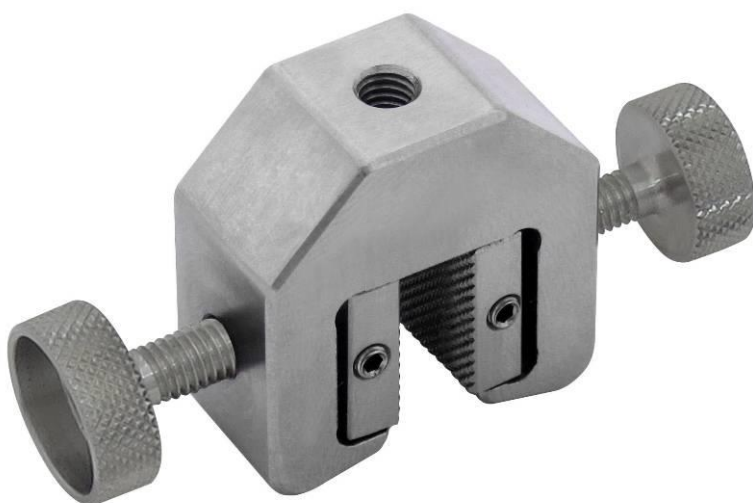
Item no.:	TH140s
Load capacity:	100 N
Jaw clamping surface:	15x15 mm
Jaw opening:	0-8 mm depending on jaw type
Standard coupling:	M5 thread. Further couplings on request
Body:	Anodized aluminium
Jaws:	Hardened steel 58HRC
Temperature range:	0 ... +70°C Further temperature ranges on request
Weight per grip without jaws:	41 g (66 g with Af159 adapter)
Scope of supply:	1 pair of grips without jaws
Weight per grip with 2 grub screws without jaws:	33 g



TH140s with Af159 adapter



TH140s



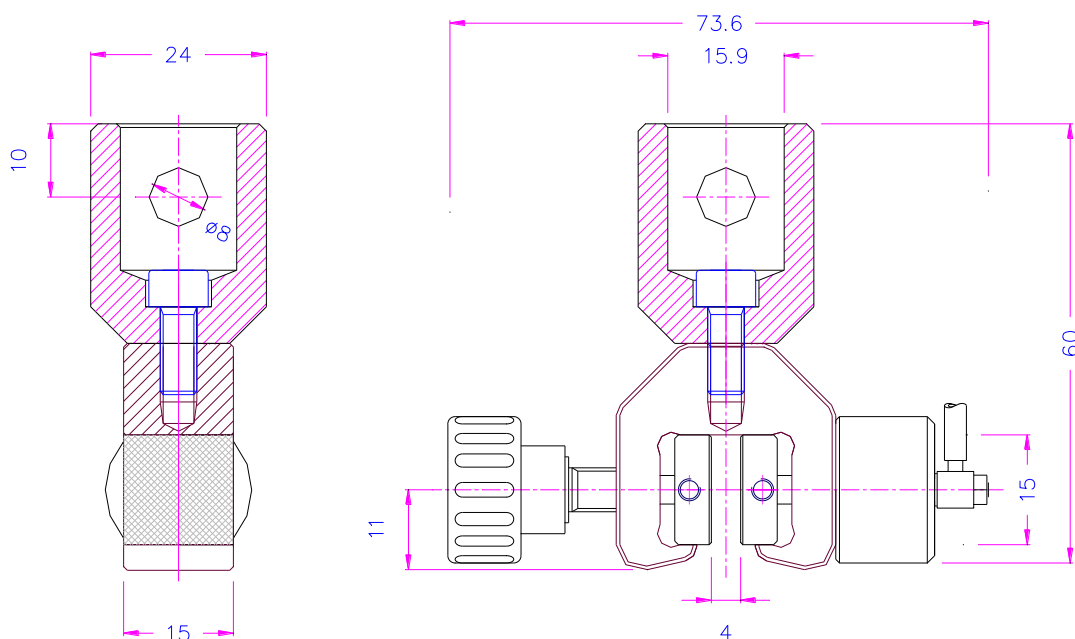
Item No.: TH140s-A4

Same as TH140s but is a complete stainless steel version, perfect for marine environments
Temperature range -60° ... 280°C

Pneumatic version

Item no.: TH140s+Ko

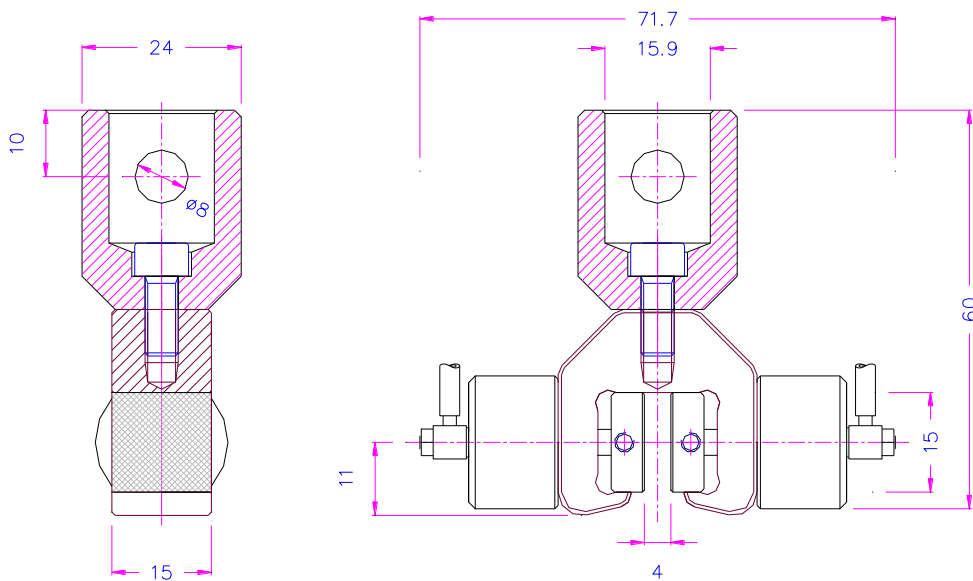
Clamping force:	140 N at 7 bar
Jaw clamping surface:	15x15 mm
Jaw opening:	0-8 mm depending on jaw type
Standard coupling:	M5 thread. Further couplings on request
Body:	Anodized aluminium
Jaws:	Hardened steel 58HRC
Temperature range:	0 ... +70°C Further temperature ranges on request
Weight per grip without jaws:	49 g (75 g with Af159 adapter)
Scope of supply:	1 pair of grips without jaws



TH140s+Ko

Pneumatic version

Item no.:	TH140s+2Ko
Clamping. force:	140 N at 7 bar
Jaw clamping surface:	15x15 mm
Jaw opening:	0-8 mm depending on jaw type
Standard coupling:	M5 thread. Further couplings on request
Body:	Anodized aluminium
Jaws:	Hardened steel 58HRC
Temperature range:	0 ... +70°C Further temperature ranges on request
Weight per grip without jaws:	65 g (90 g with Af159 adapter)
Scope of supply:	1 pair of grips without jaws



TH140s+2Ko