

SHEAR TEST FIXTURE

to determine shear strength of adhesive bonds for wood

Conforms to ASTM-D905, ASTM-D143, ASTM-D5751, DIN 52187, DIN 52367, EN 392-Fig.1, Fig.2, DIN EN14080, ISO 6238, UNE 56543:88.

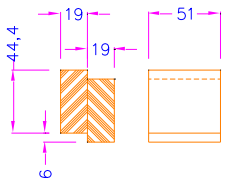
Item no.:	TH17
Force capacity:	50 kN
Coupling:	Af159 and Af318. Further couplings on request.
Weight:	28 kg
Body:	Steel, nickel-plated
Temperature range:	0 ... +70°C Further temperature ranges on request
Scope of delivery:	1 fixture



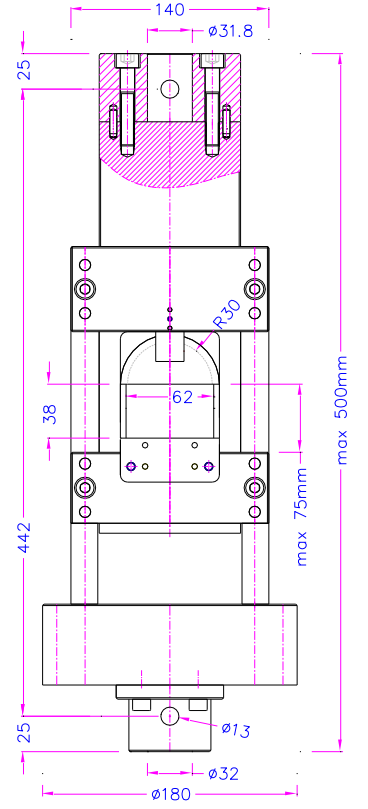
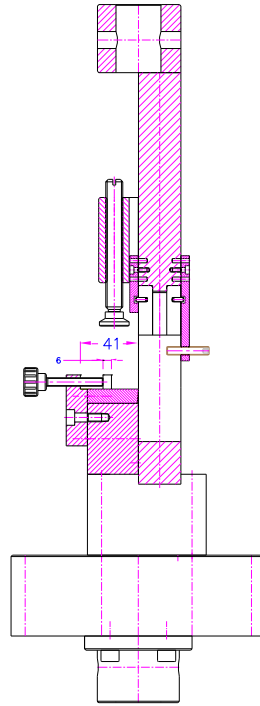
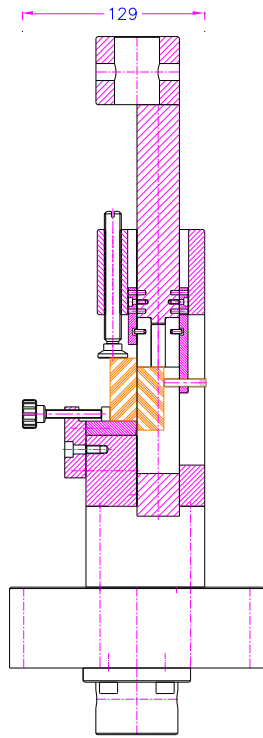
The TH17 shear test fixture is put down on the base area of the tensile testing machine.

On its top it is fixed with an eye end adapter.

The guillotine-like shearing part is self-aligning to ensure a perpendicular force to cut off specimen blocks.



ASTM-D905



TH17-Af318-ASTM-D905