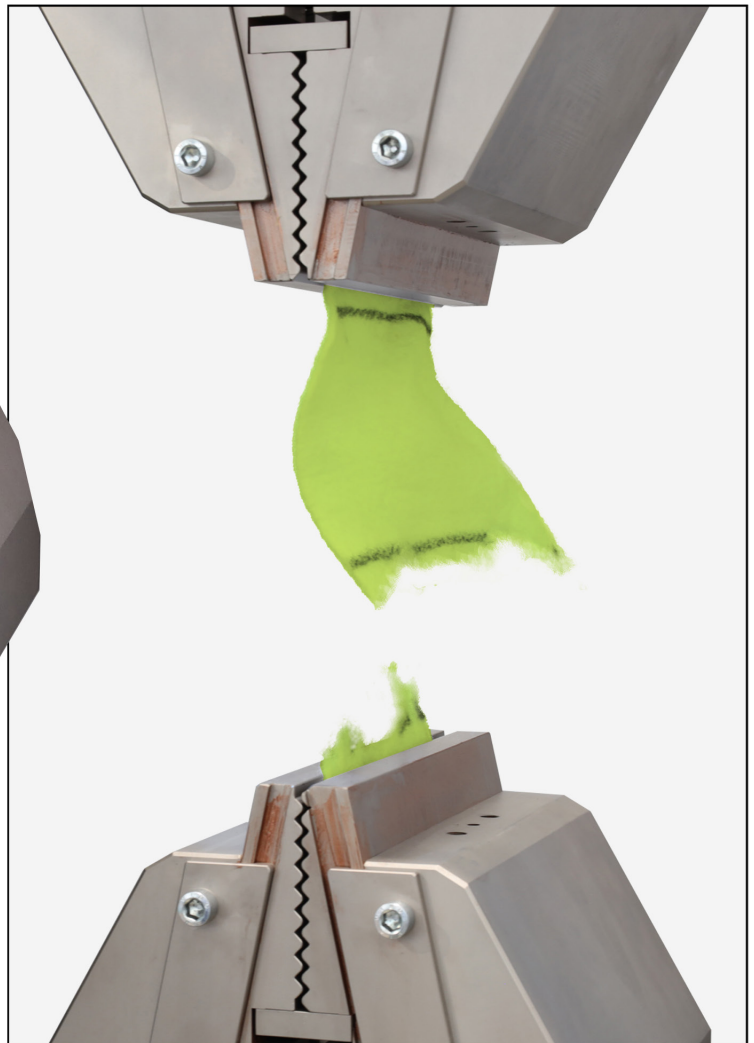


# TH208 ASTM-D4595

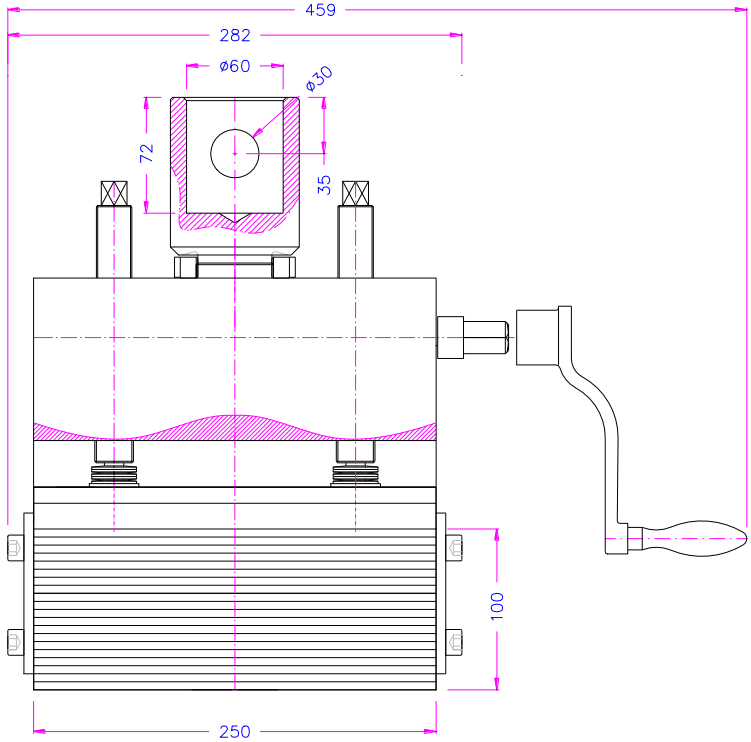
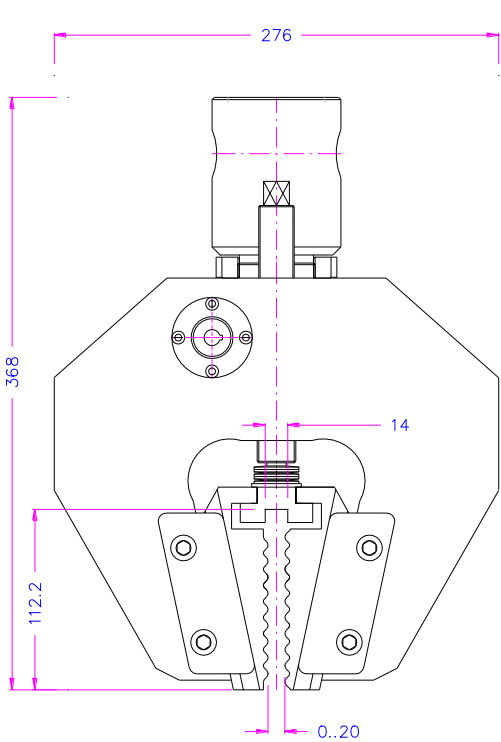
Tensile Properties of Geotextiles -  
Wide-Width Strip Method



**LARGE WEDGE GRIP**

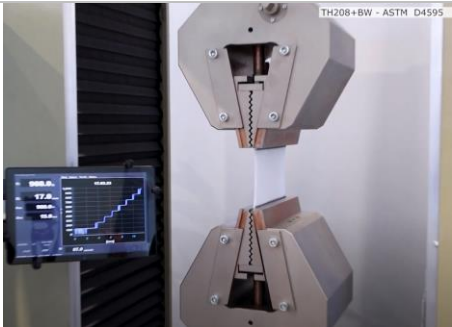
to determine the tensile properties of geotextiles by the wide-width strip method according to **ASTM-D4595**

<b>Item no.:</b>	<b>TH208-250+BW250-Af603035</b>
Max. load:	250 kN (350 kN possible with a special adapter on request)
Adapter:	Af60. Further couplings on request
Jaw opening:	0 – 20 mm
Clamping surface:	100 x 250 mm (L x H) Wave serration
Body:	Steel, nickel-plated
Temperature range:	0 ... +70°C Further temperature ranges on request
Scope of delivery:	1 pair of grips including wave jaws and a hand crank



**Video**

<https://www.youtube.com/watch?v=t4oEjRofzQc>



We recommend using safety pliers with TH208 grips, item number **THS1220-10**

See our data sheet for more information [THS1220-10 Datasheet.pdf](#)



Example of usage