

## SMALL VICE GRIP

applicable for packaging materials, paper, plastic foils, wires, yarns, etc.

Available also a version with aluminium body and stainless steel handles for higher temperatures (TH227+Mu) and a complete stainless steel version for testing in corrosive environment and under high temperatures (TH227-A4).

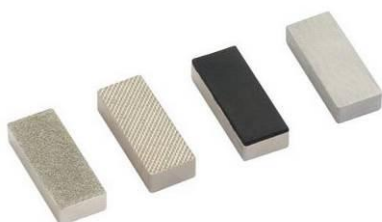
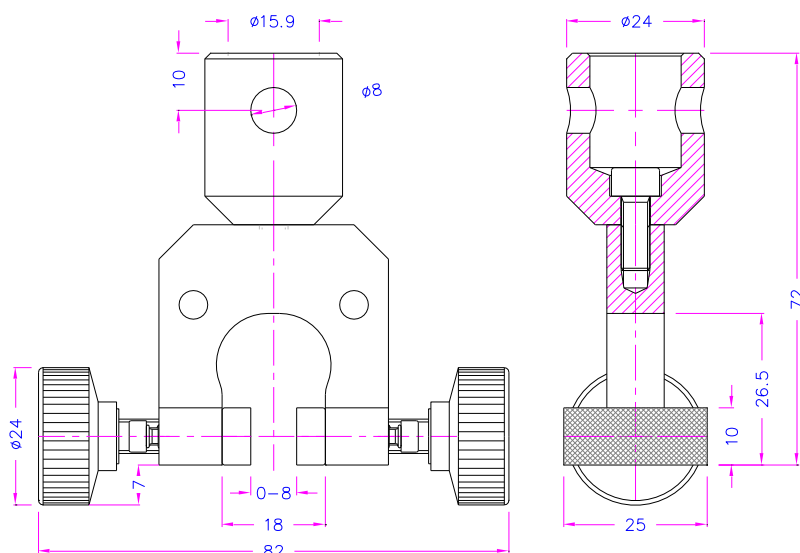
<b>Item no.:</b>	<b>TH227</b>
Max. load:	100 N
Opening:	0-8 mm (depending on jaws)
Coupling:	M5 internal thread Further couplings on request
Body:	Aluminium, anodized
Temperature range:	0 ... +130°C (depending on jaws)
Weight:	60 gram per grip without jaws
Scope of supply:	1 pair of grips without jaws



### Jaws for TH227: Scope of delivery 1 set = 4 jaws

Item number:	Surface:	Clamping surface H x W:	Opening:	Temperature range:	Weight per pair:
TH227-B25	Blank jaws	10 x 25 mm	0 - 8 mm	-70...+280°C	18 gram
TH227-BG25	Rubber jaws	10 x 25 mm	0 - 6 mm	-20...+80°C	19 gram
TH227-BP25	Pyramid jaws	10 x 25 mm	0 - 8 mm	-70...+280°C	17 gram
TH227-BW25x25	Wave jaws	25 x 25 mm	0 - 6 mm	-70...+280°C	48 gram
TH227-BD25	Diamond jaws	10 x 25 mm	0 - 8 mm	-70...+280°C	18 gram
TH227-B50	Blank jaws	10 x 50 mm	0 - 6 mm	-70...+280°C	46 gram
TH227-BG50	Rubber jaws	10 x 50 mm	0 - 4 mm	-20...+80°C	48 gram
TH227-BP50	Pyramid jaws	10 x 50 mm	0 - 6 mm	-70...+280°C	43 gram
TH227-BW25x50	Wave jaws	25 x 50 mm	0 - 6 mm	-70...+280°C	100 gram
TH227-BD50	Diamond jaws	10 x 50 mm	0 - 6 mm	-70...+280°C	46 gram
TH227-B100	Blank jaws	10 x 100 mm	0 - 6 mm	-70...+280°C	92 gram
TH227-BG100	Rubber jaws	10 x 100 mm	0 - 4 mm	-20...+80°C	95 gram
TH227-BP100	Pyramid jaws	10 x 100 mm	0 - 6 mm	-70...+280°C	86 gram
TH227-BD100	Diamond jaws	10 x 100 mm	0 - 6 mm	-70...+280°C	92 gram

Jaws with other dimensions and surfaces on request



#### Blank jaws

- Suitable for own further treatment
- Steel-blanks without coating



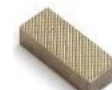
#### Rubber jaws

- 1mm rubber coating (NBR)
- Nickel-plated



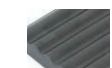
#### Pyramid jaws

- Pyramids 0.8x45°
- Hardened steel 58HRC
- Nickel-plated



#### Wave jaws

- For flexible materials
- Wave 5 mm
- Hardened steel 58 HRC
- Nickel-plated



#### Diamond jaws

- Clamping surface coated with synthetic diamonds
- Nickel-plated



Small vice grip, same as TH227, but with stainless steel handles for higher temperatures	
<b>Item no.:</b>	<b>TH227+Mu</b>
Max. load:	100 N
Opening:	0-8 mm (depending on jaws)
Coupling:	Inner thread M5. Further couplings on request
Material:	Aluminium, anodized (body) Stainless steel (handles)
Jaws:	See TH227 (page 1)
Temperature range:	Temperature range: -70°C ... +180°C depending on jaw type
Scope of supply:	1 pair of grips without jaws

Complete stainless steel version. Applicable for testing in high corrosion environments e.g.:	
<ul style="list-style-type: none"> <li>• in salt water, perfect for coastal and marine environments,</li> <li>• under highly acidic conditions,</li> <li>• at high temperatures</li> </ul>	
<b>Item no.:</b>	<b>TH227-A4</b>
Max. load:	100 N
Opening:	0-8 mm (depending on jaws)
Coupling:	Inner thread M5. Further couplings on request
Material:	Stainless steel
Temperature range:	Temperature range: -80°C ... +280°C depending on jaw type (see table below). Further temperature ranges on request.
Scope of supply:	1 pair of grips without jaws

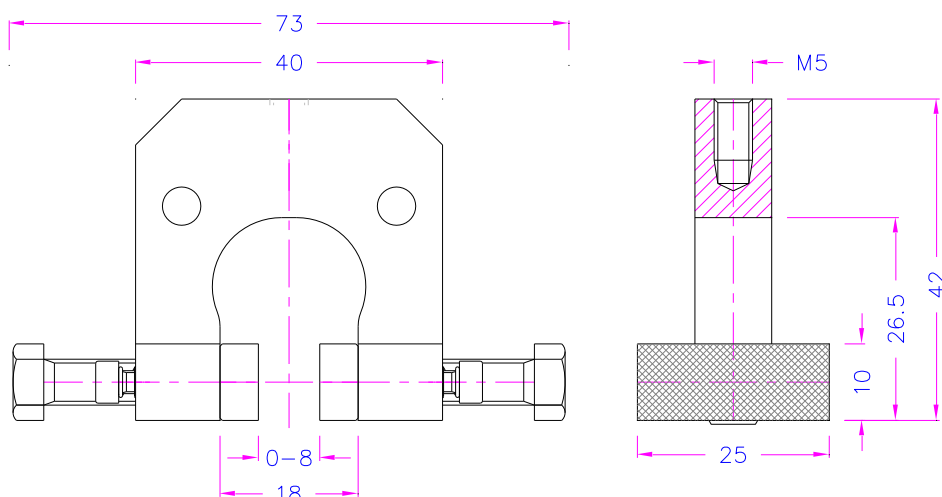


with adapter Af159

**Jaws for TH227-A4.** Scope of delivery 1 set = 4 jaws

Item number	Surface	Clamping surface H x W	Opening	Temperature range:	Weight per pair
TH227-B-A4	Blank jaws	10 x 25 mm	0 – 8 mm	-80...+280°C	18 gram
TH227-BG-A4	Rubber jaws	10 x 25 mm	0 – 6 mm	-20...+80°C	19 gram
TH227-BP-A4	Pyramid jaws	10 x 25 mm	0 – 8 mm	-80...+280°C	17 gram

\*For testing under high temperatures but without corrosive environment like salt water or acidity, it is possible to use TH227-A4 with standard TH227 jaws (see page 1).



Examples for other versions and custom-built solutions:



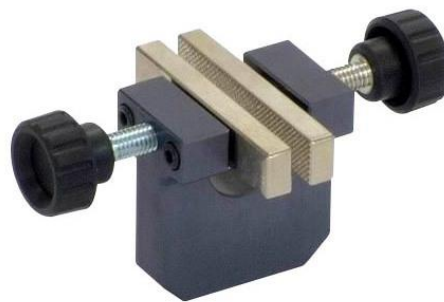
TH227-A4+BW30-AF159 with jaws 25x30 mm



TH227-S46+BP (opening 46 mm)



TH227+BP+DIN6332-M6



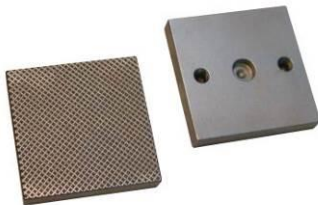
TH227+BP50



TH227-BLCR635x75 - line contact jaws



TH227-BW25x25

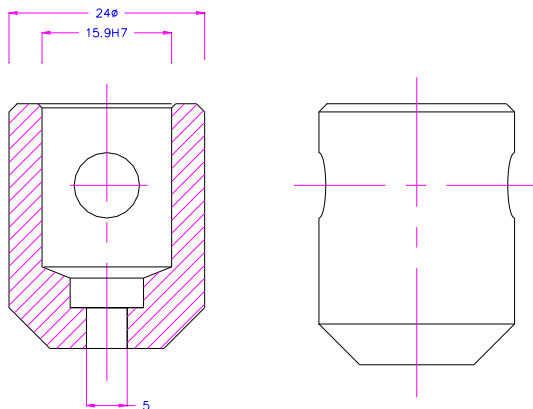


TH227-BP25x25



B25 B50 B80 B100

Accessories:



THS637-159-Km5

**THS637-159-Km5**

Adapter female 15.9/8 (5/8")  
To fix on TH227 with a M5 screw

