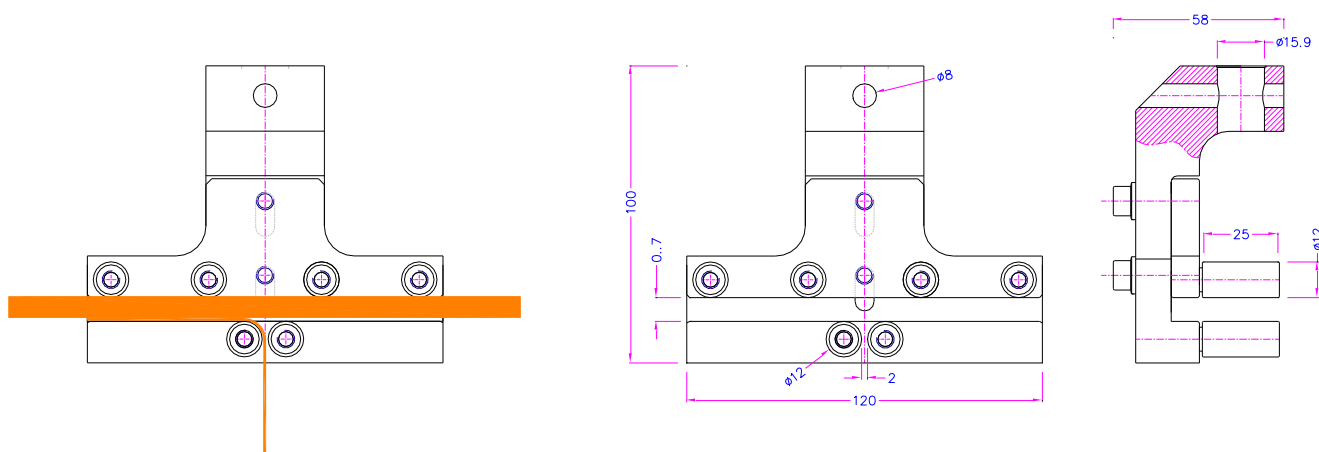


90° PEEL TEST FIXTURE

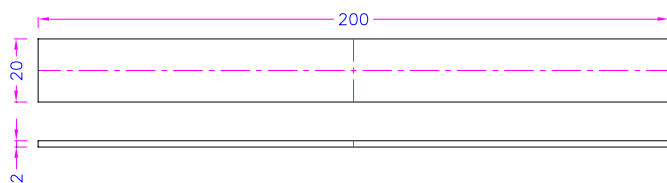
to determine adhesion strength of a rigid substrate to a flexible film.
Similar to DIN40802-1, DIN53278, DIN53494.

Item no.:	TH249-12-25-Af159
Max. load:	2 kN
Coupling:	Af159 Further couplings on request
Rollers:	6 stainless steel rollers with ball bearings (12 mm Ø and 25,4 mm long each)
Adjustable roller distance for rigid substrate:	0-7 mm in height
Fixed roller distance for flexible film:	0-2 mm
Body:	Steel, nickel-plated
Weight:	1.31 kg (grip), 0.05 kg (specimen plate)
Temperature range:	0 ... +70°C Further temperature ranges on request
Scope of delivery:	1 fixture without specimen plate An additional grip is required to clamp the flexible film (not included in price) – see p. 2



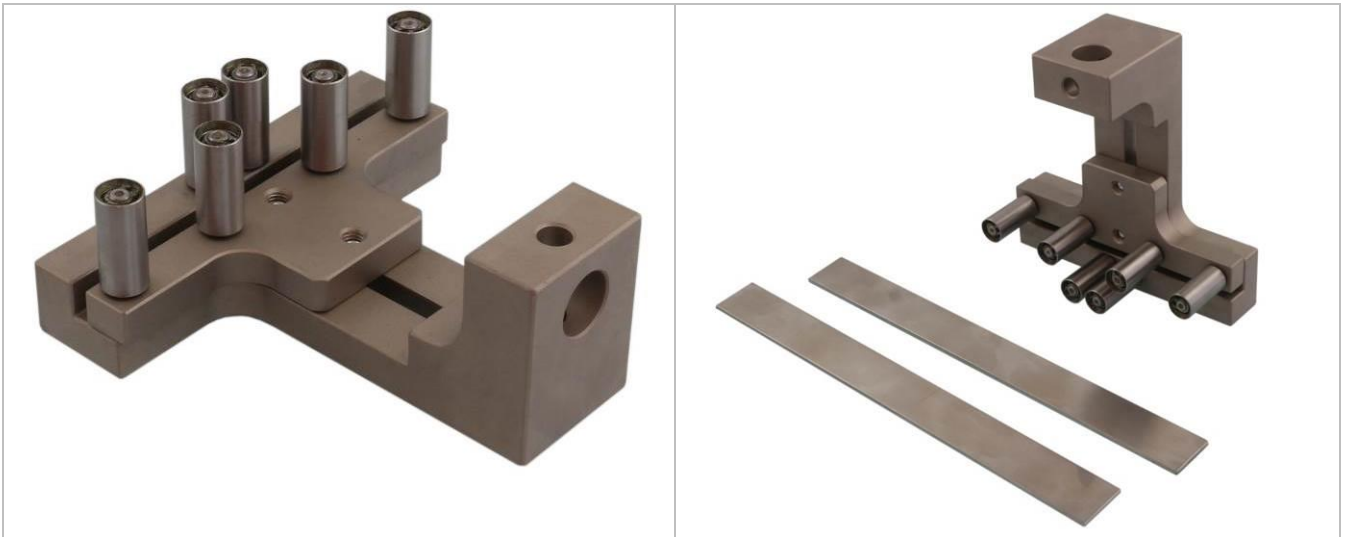
Optional specimen plate:

Item no.:	Dimensions (LxWxT):	Material:
TH249-P20x200x2	200x20x2 mm	Stainless steel



TH249-P20x200x2





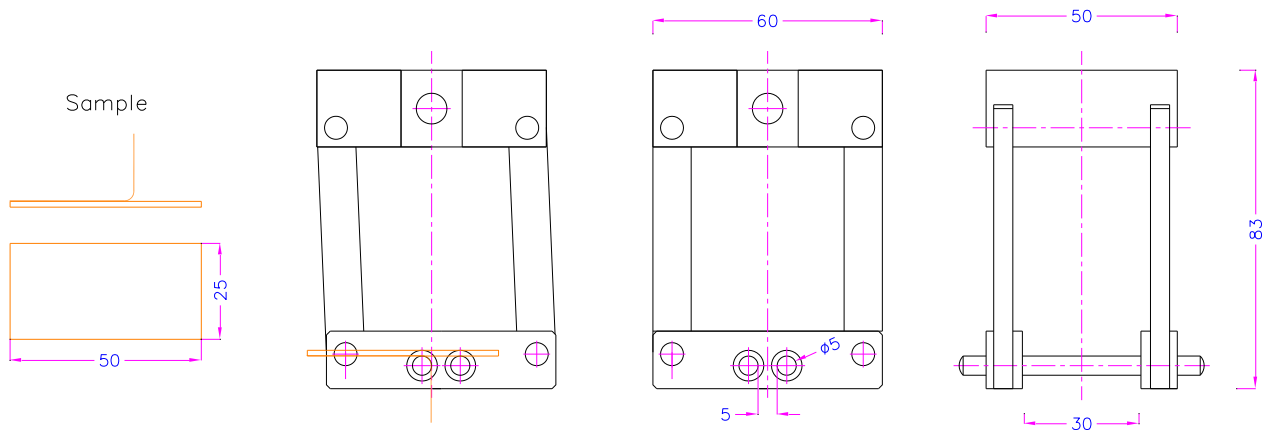
Recommendations for lower/upper grip to clamp the flexible film:

		
<p>TH56k vice grip Data sheet</p>	<p>TH240k vice grip Data sheet</p>	<p>TH227 vice grip Data sheet</p>

Similar fixture:

TH104-30 according to DIN53494

Electroplated coatings; testing of electroplated plastic articles; determination of peel strength.



TH104-30 DIN53494 Fig.2