

PNEUMATIC GRIPS

Universal pneumatic grips for quick clamping action to test foils, textiles, paper, etc. Easy to use since there is enough space behind the jaws.

Also available as manual vise grip, see [TH56g data sheet](#)

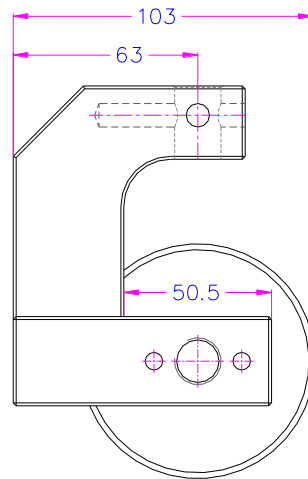
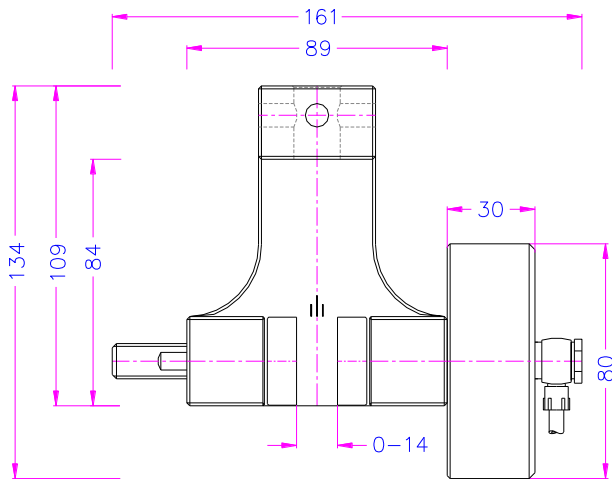
Item no.:	TH56g+Ko TH56g+2Ko
Clamping force:	2.6 kN (7 bar)
Jaw opening:	0 – 14 mm depending on jaw type (see page 3)
Coupling:	Af159 or Af20 Further couplings on request
Pneumatic connection:	1/8" internal thread
Body:	Anodized aluminium
Temperature range:	0 ... +70°C Further temperature ranges on request
Weight per grip without jaws:	1.5 kg (TH56g+Ko) 1.85 kg (TH56g+2Ko)
Scope of supply:	1 pair of grips without jaws



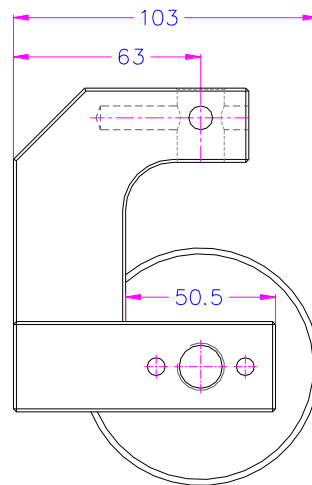
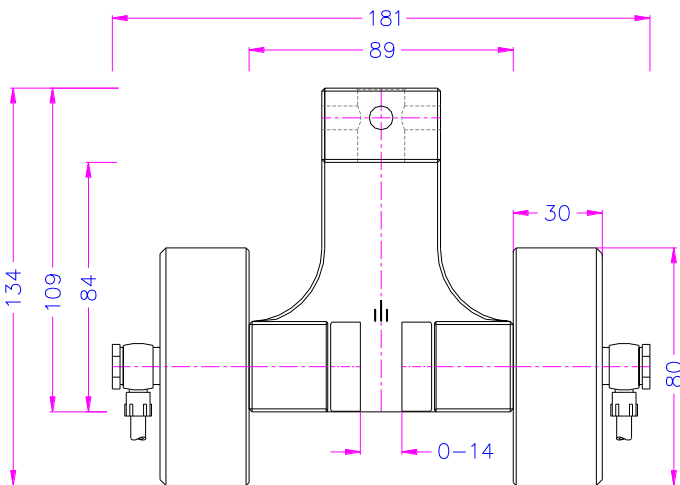
TH56g+Ko



TH56g+2Ko



TH56g+Ko



TH56g+2Ko

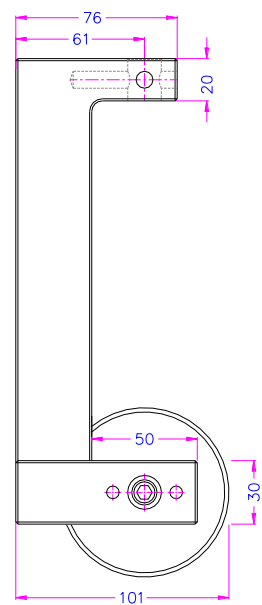
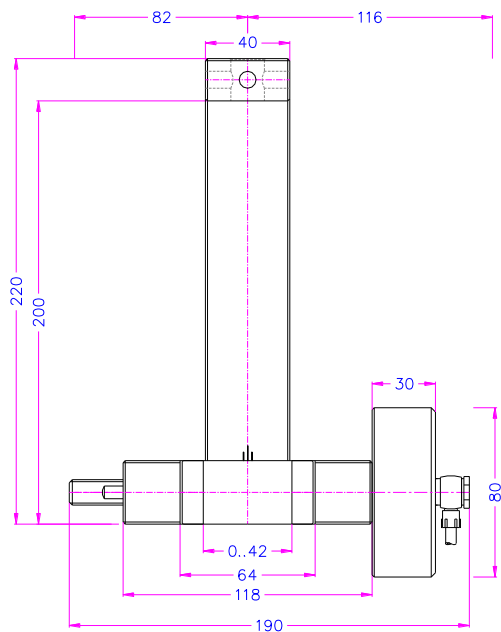
Item no.:	TH56g-H200+Ko TH56g-H200+2Ko
Clamping force:	2.6 kN (7 bar)
Jaw opening:	0 – 42 mm depending on jaw type (see page 3)
Coupling:	Af159 or Af20 Further couplings on request
Pneumatic connection:	1/8" internal thread
Body:	Anodized aluminium
Temperature range:	0 ... +70°C Further temperature ranges on request
Weight per grip without jaws:	1.5 kg (TH56g-H200+Ko) 1.85 kg (TH56g-H200+2Ko)
Scope of supply:	1 pair of grips without jaws



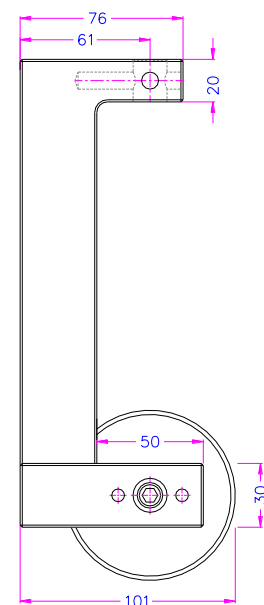
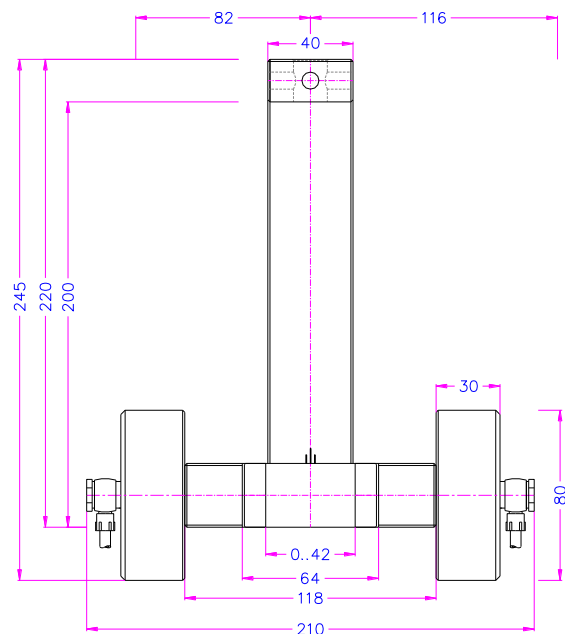
TH56g-H200+Ko



TH56g-H200+2Ko



TH56g-H200+Ko



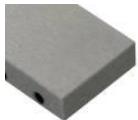
TH56g-H200+2Ko

Jaws for TH56g+Ko and TH56g-H200+Ko

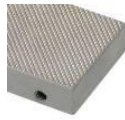
Scope of delivery: 1 set = 4 jaws

Item no.	Surface	Clamping surface H x W	Opening TH56g+Ko	Opening TH56g-H200+Ko*	Weight per pair
TH56g-B	Blank jaws	30 x 50 mm	0 – 14 mm	0 – 42 mm	0.13 kg
TH56g-BG	Rubber-coated jaws	30 x 50 mm	0 – 12 mm	0 – 40 mm	0.13 kg
TH56g-BP	Pyramid (serrated)jaws	30 x 50 mm	0 – 14 mm	0 – 42 mm	0.12 kg
TH56g-BV2	V jaws	30 x 50 mm	2 – 7 mm Ø	2 – 34 mm Ø	0.13 kg
TH56g-BV5	V jaws	30 x 50 mm	5 – 14 mm Ø	5 – 42 mm Ø	0.13 kg
TH56g-BW	Wave jaws	30 x 50 mm	0 – 14 mm	0 – 42 mm	0.12 kg
TH56g-BD	Diamond jaws	30 x 50 mm	0 – 14 mm	0 – 42 mm	0.13 kg

*2 rods are required: for opening 0-20 mm and opening 22-42 mm



Blank jaws
- Applicable for own further treatments
- Steel-blanks without coating
- Nickel-plated



Pyramid jaws
- Pyramids 1.2x45°
- Hardened steel 58 HRC
- Nickel-plated



Wave jaws
- For flexible materials
- Wave 5 mm
- Hardened steel 58HRC
- Nickel-plated



Rubber jaws
- 1 mm rubber coating (NBR)
- Nickel-plated



Diamond jaws
- Clamping surface coated with synthetic diamonds D91 (170/200 mesh)
- Nickel-plated



TH56g-BV2 V jaws
- For all kinds of round samples
- Tooth pitch 0.8 mm
- Hardened steel 58 HRC
- Nickel-plated



TH56g-BV5 V jaws
- For all kinds of round samples
- Tooth pitch 1 mm
- Hardened steel 58 HRC
- Nickel-plated



TH56g-GT+TH56g-EBP

Insert jaws

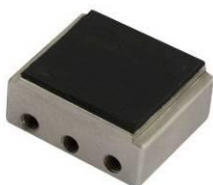
Quick change system. Insert jaws require carriers (TH56g-GT)

Scope of delivery 1 set = 4 jaws

Item no.	Surface	Clamping surface H x W	Opening TH56g+Ko	Opening TH56g-H200+Ko	Weight per pair
TH56g-GT	Insert jaw carrier	-	-	-	0.19 kg
TH56g-EB	Blank insert jaws	30 x 50 mm	0 - 4 mm	0 – 32 mm	0.14 kg
TH56g-EBG	Rubber insert jaws	30 x 50 mm	0 - 2 mm	0 – 30 mm	0.14 kg
TH56g-EBP	Pyramid insert jaws	30 x 50 mm	0 - 4 mm	0 – 32 mm	0.13 kg
TH56g-EBV	V insert jaws	30 x 50 mm	Ø 2 - 4 mm	Ø 2 – 31 mm	0.14 kg
TH56g-EBW	Wave insert jaws	30 x 50 mm	0 - 4 mm	0 – 32 mm	0.12 kg
TH56g-EBD	Diamond insert jaws	30 x 50 mm	0 - 4 mm	0 – 32 mm	0.14 kg

Jaws with other dimensions and surface coatings on request

Examples for customized solutions:



TH56k-BG20x20



TH56k-BP0.5x45
Fine serration 0.5 mm



TH56k-BP20x30



TH56k-BTe
Teflon coating

Accessories:



TH205-1 Foot pedals

None locking: The jaws of the grip open by pressing the foot pedal and close after removing the foot from the pedal.

Scope of delivery: 1 pair of foot switches including tubes and fittings



TH205-2 Foot pedals

With locking function: The jaws of the grip open by pressing the foot pedal and remain opened after removing the foot from the pedal. The jaws close by pressing the pedal one more time.

Scope of delivery: 1 pair of foot switches including tubes and fittings



TH205-PR16bar Pressure regulator

Optional for TH205-1 or TH205-2

To adjust air pressure: 1-16 bar



TH205-3 Hand switches

With locking function: The jaws of the grip close by pulling the handle and remain closed. The jaws open by pushing the handle back.

Scope of delivery: 1 unit of hand switches including tubes and fittings



TH205-4-1/8" Hand switches

Pneumatic micro – hand switches, tubes and fittings, 1/8" connection

The hand switches are directly mounted at the grips. 3/2 directional valve

Scope of supply: 2 hand switches including tubes and fittings



TH216 Silent compressor for laboratories, oil-lubricated, with pressure reducer

Max pressure 16 bar; 230 V/50 HZ; noise level: 38 dB(A)

Motor: 0.13 kW; displacement: 17 l/min; tank size 3.5 l

Dimensions: 340x290x340 mm (L x W x H); weight 18 kg