

## DYNAMIC CUT-THROUGH FIXTURE

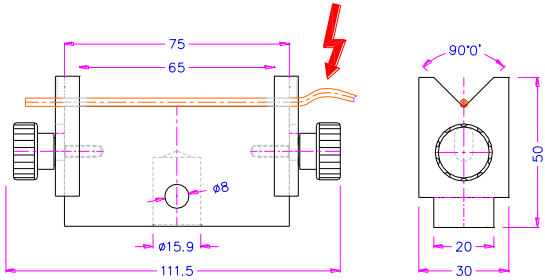
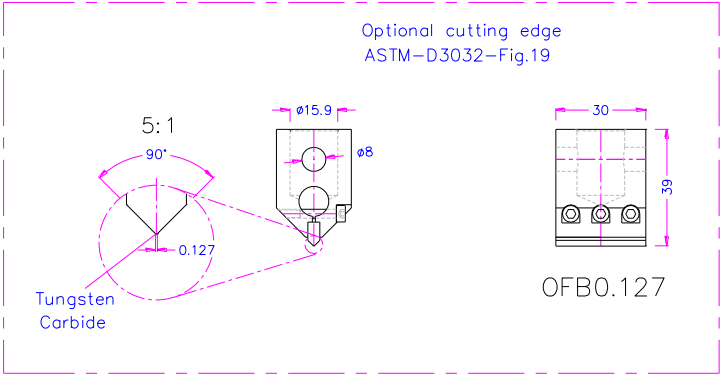
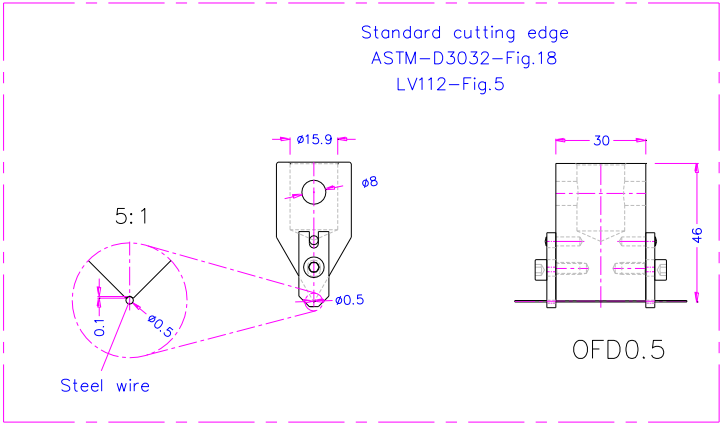
to test notch resistance of wire insulation according to ASTM-D3032 and LV112

<b>Item no.:</b>	<b>THS1131-UT75+OFD0.5-Af159</b> (version with standard cutting edge, according to ASTM-D3032 Fig.18 and LV112 Fig.5)
Cutting edge:	0.5 mm Ø steel wire
Max. load:	2 kN
Coupling:	Af159. Further couplings on request
Body:	Steel, nickel-plated
Temperature range:	0 ... +70°C. Further temperature ranges on request
Weight:	0.8 kg
Scope of delivery:	1 fixture including upper anvil and bottom support part



<b>Item no.:</b>	<b>THS1131-UT75+OFB0.127-Af159</b> (version with optional cutting edge, according to ASTM-D3032 Fig.19)
Cutting edge:	0.127 mm (0.005 in), tungsten carbide
Max. load:	2 kN
Coupling:	Af159. Further couplings on request
Body:	Steel, nickel-plated
Temperature range:	0 ... +70°C. Further temperature ranges on request
Weight:	0.8 kg
Scope of delivery:	1 fixture including upper anvil and bottom support part





**Examples for further versions:**



THS1131 dynamic cut-through fixture with THS1626 insulating adapter for use in temperature chamber  
Temperature range -40 ... +300°C