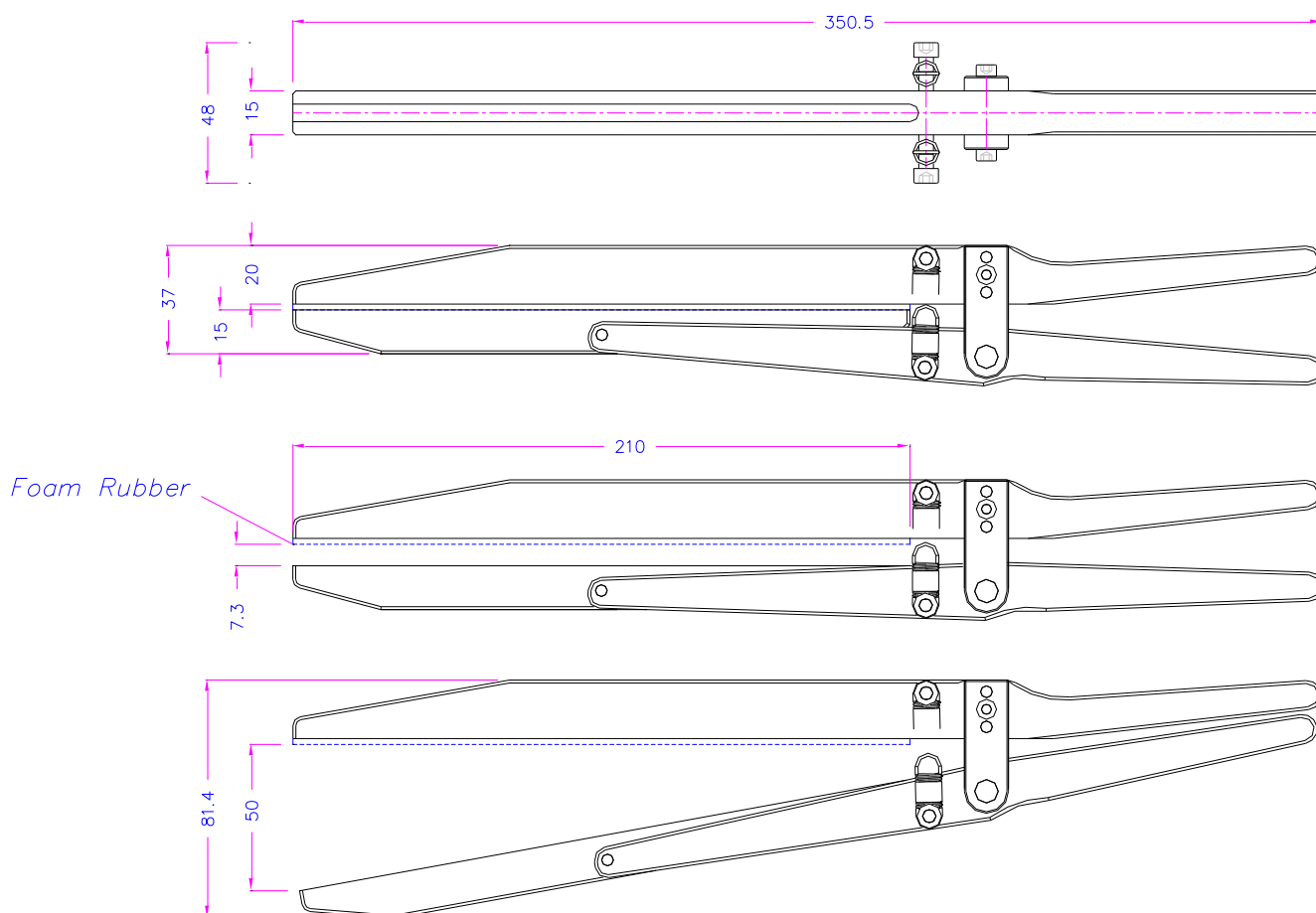
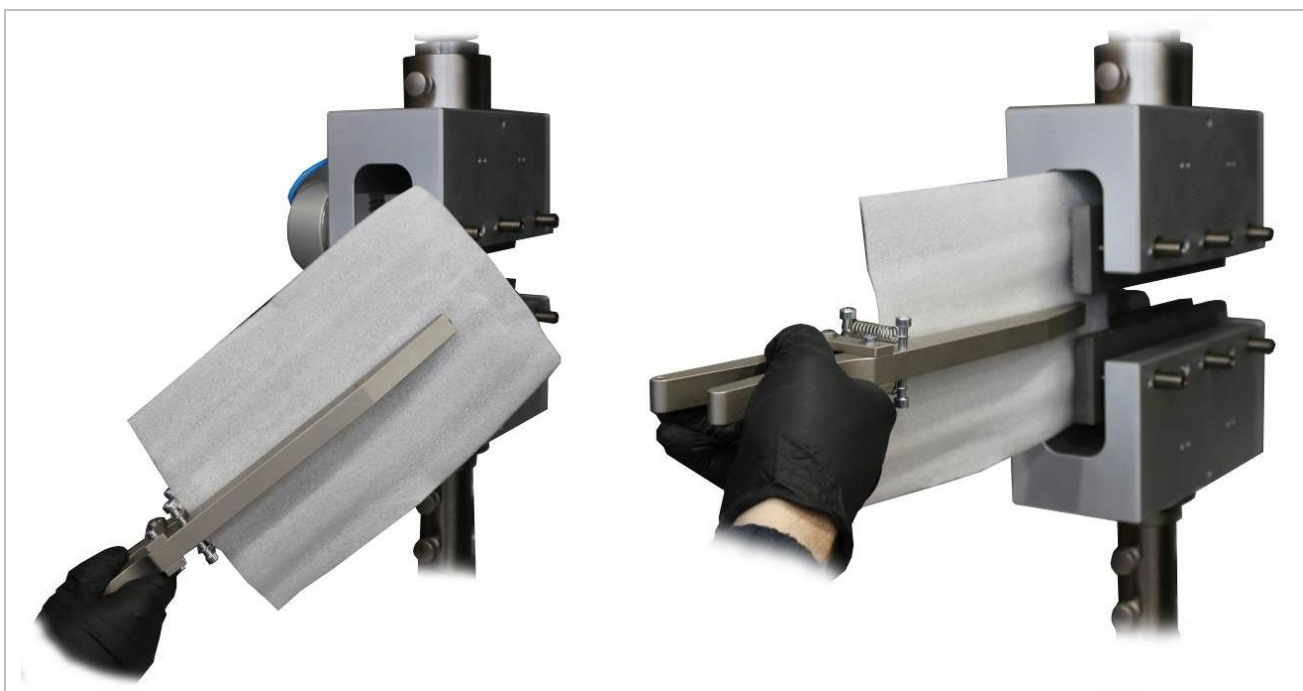


SAFETY PLIERS	
for safe inserting and removing of textile samples into/from grips	
Item no.:	THS1220-10
Opening:	2 – 50 mm
Material:	Steel, nickel-plated. Jaws coated inside with foam rubber.
Temperature range:	0 ... +70°C Further temperature ranges on request
Weight:	1.2 kg
Scope of delivery:	1 piece





Example of usage

Example for special versions:



THS1220-10-GDE

Special version with guide
Adjustable distance between pliers (max. 375 mm)