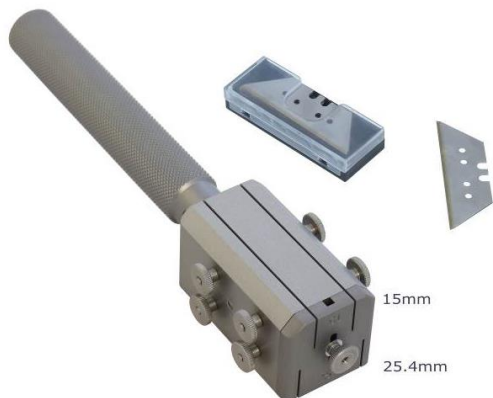


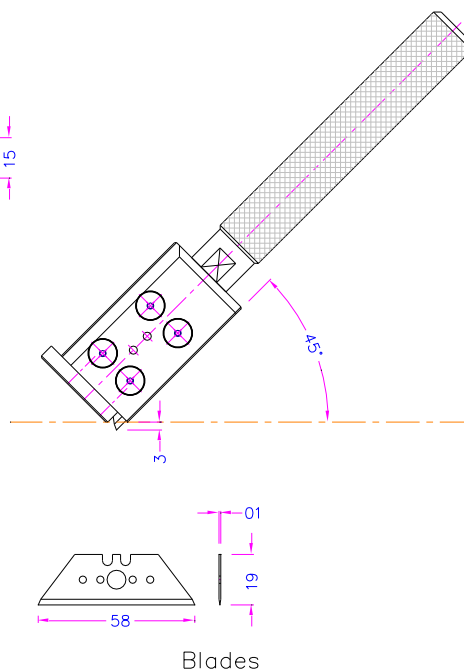
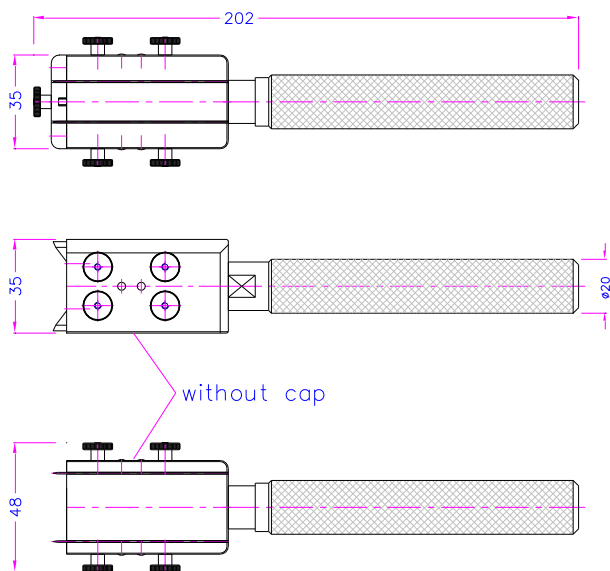
### MANUAL DUAL BLADE SAMPLE CUTTER

- for cutting uniform strip specimens 15 mm and 25.4 mm wide for e.g. peel tests on films and foils
- applicable for preparing specimens according to ASTM-F88 and ASTM-D882, similar to ASTM-D6287 procedure B
- shatterproof razor blades



<b>Item no.:</b>	<b>THS1232-15-25.4</b>
Cutting width:	15 mm and 25.4 mm depending on which side the razor blades are mounted*
Cutting depth:	3 mm
Housing + handle:	Aluminium
Razor blades:	Bimetal, TiN-covered
Weight:	0.3 kg per cutter without razor blades
Scope of supply:	1 dual blade sample cutter incl. 4 razor blades

\*cutters with customized cutting width available on request (see page 2)



### Replacement razor blades:

<b>Item no.:</b>	<b>THS1232-Tzk</b>
Scope of supply:	1 set = 10 blades

THS1232-A-B

Special sample cutter with customized cutting widths A and B available on request

