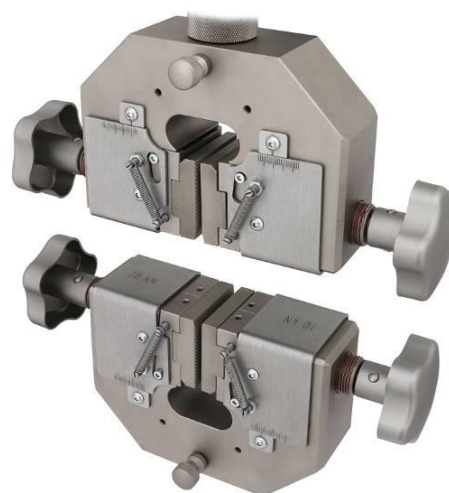
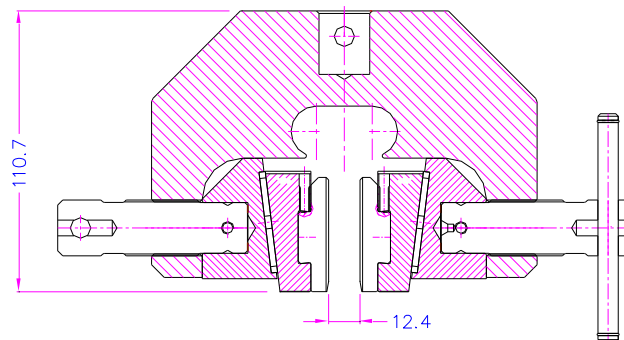
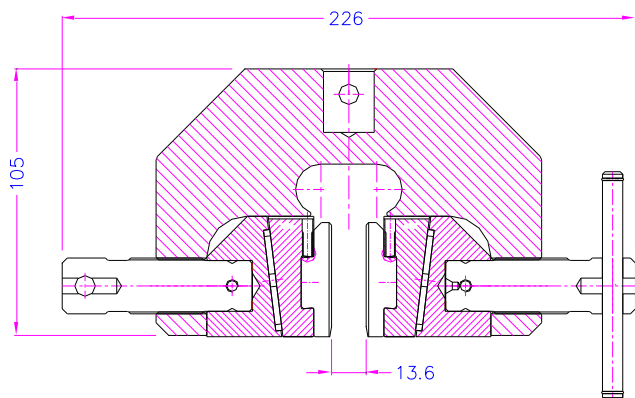
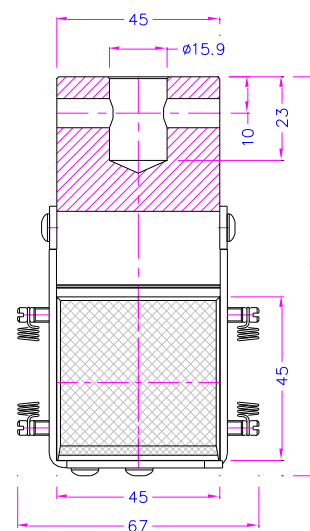
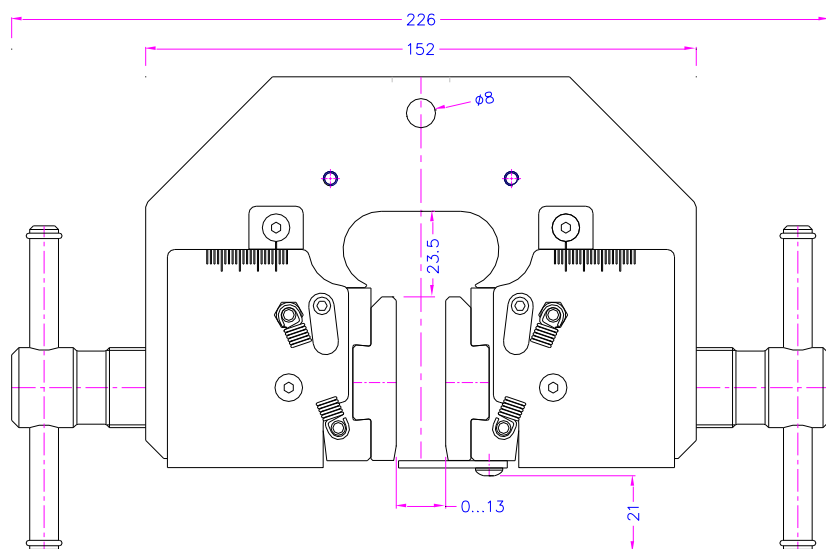


SMALL SCREW WEDGE GRIP

- Versatile function due to special design
- The wedge jaws provide self-tightening effect, so the grips are perfect for testing difficult materials
- The wedge grips can also be used for shear tests due to asymmetrical jaw movement

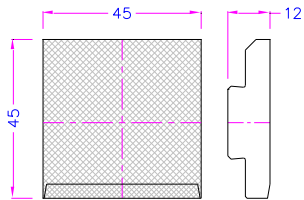


Item no.:	THS127-10
Max. load:	10 kN
Body:	Steel, nickel-plated
Jaws:	Steel, hardened, nickel-plated
Temperature range:	-70°C ... +180°C Further temperature ranges on request
Weight:	5.2 kg per grip incl. jaws
Scope of supply:	1 pair of grips without jaws

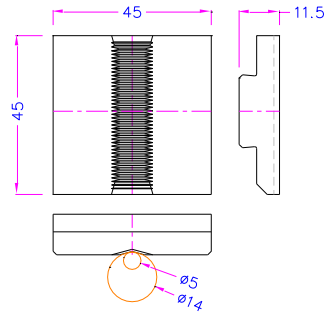


Jaws for THS127-10 Scope of delivery: 1 set = 4 jaws

Item no.:	Surface:	Clamping surface HxW:	Opening:
THS127-10-EBP13	Pyramid (serrated) jaws	45 x 45 mm	0 – 13 mm
THS127-10-EBV14	V-jaws	45 mm clamping height	5 – 14 mm



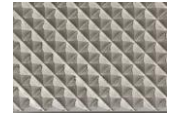
THS127-10-EBP13 >> 0-13mm



THS127-10-EBV14 >> D5-14mm

Pyramid jaws

- For flat samples
- Pyramids 1.2 mm x 45°
- Hardened steel 58 HRC
- Nickel-plated



V-jaws

- For round samples
- Tooth pitch 1.2 mm
- Hardened steel 58 HRC
- Nickel-plated

