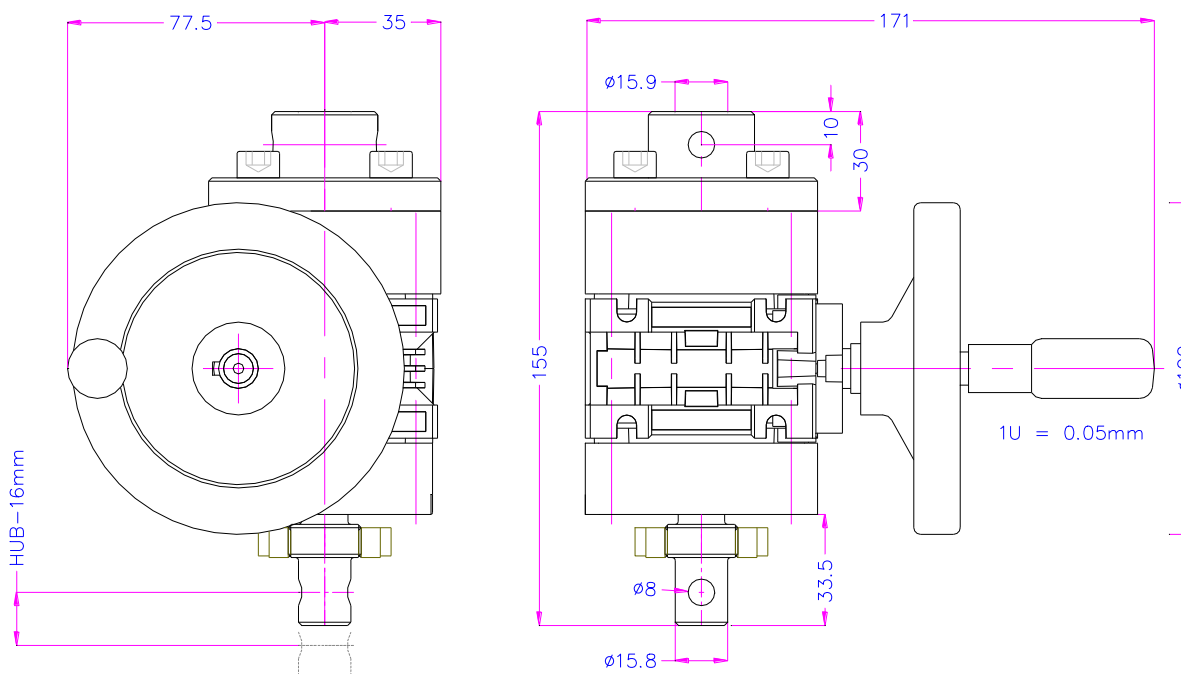


WORM GEAR SCREW JACK

to calibrate a load cell.

Item no.:	THS1286
Max. load:	20 kN
1 rotation of adjustment wheel:	0.05 mm
Stroke:	16 mm
Body:	Steel, nickel-plated + plastic
Weight:	6.8 kg incl. adapters
Temperature range:	0 ... +70°C. Further temperature ranges on request
Standard adapter:	Af159 (upper), Af158 (lower) Further adapter sizes on request
Scope of supply:	1 fixture



50 kN version available
Item number: THS1286-50



Weight: 10.6 kg