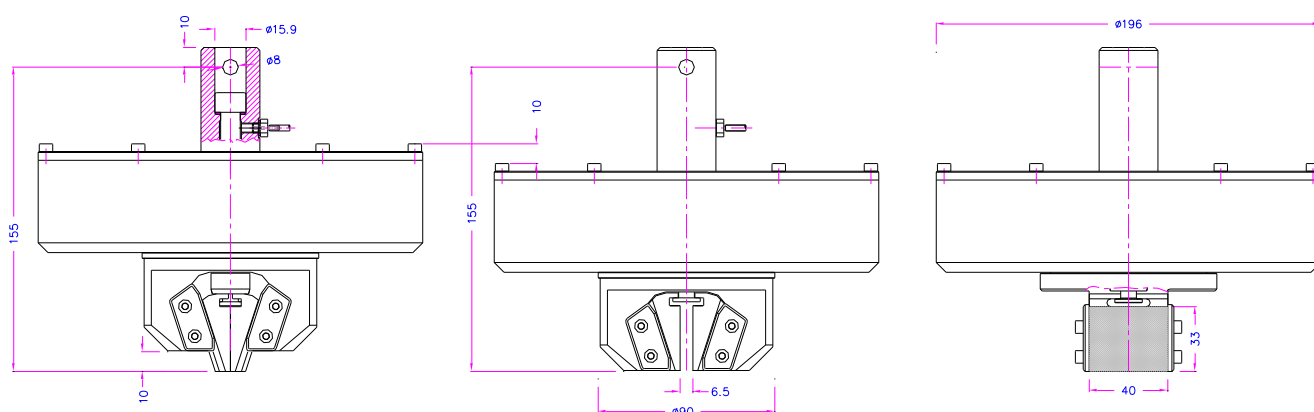


WEDGE GRIP, PNEUMATIC NON-SHIFT

- the jaws move only horizontally
- the distance between the adapter cross hole and the jaws remains constant
- low axial load
- applicable for sensitive specimens, e.g. ceramics

Item no.:	THS1302-10-NOSH
Tensile load:	10 kN
Clamping force:	22 kN at 7 bar 40 kN at 15 bar
Coupling:	Af159 or Af20. Further couplings on request.
Body:	Steel, nickel-plated; stainless steel
Temperature range:	-70...+280°C
Weight:	9.7 kg per grip without jaws
Scope of supply:	1 pair of grips without jaws



THS1302-10-NOSH+Lxx
with pull rods for temperature chamber usage

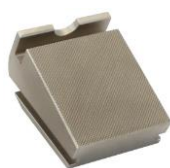


THS1302-10-NOSH+BW80
with special wave jaws 80 mm wide

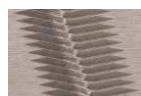
Jaws for THS1302-10-NOSH:

Scope of delivery: 1 set = 4 jaws

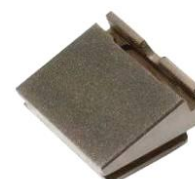
Item-No.	Surface	Opening	Clamping surface (h x w)	Weight per pair
THS1302-10-BP6	Pyramid (serrated)	0-6 mm	33x40 mm	0.3 kg
THS1302-10-BP12	Pyramid (serrated)	6-12 mm	33x40 mm	0.2 kg
THS1302-10-BP16	Pyramid (serrated)	10-16 mm	33x40 mm	0.2 kg
THS1302-10-BV2	V jaws	2-6 mm	Clamping height 33 mm	0.3 kg
THS1302-10-BV6	V jaws	6-12 mm	Clamping height 33 mm	0.2 kg
THS1302-10-BD6	Diamond-coated	0-6 mm	33x40 mm	0.3 kg



Pyramid (serrated) jaws - for flat samples



V jaws - for round samples



Diamond jaws - covered with synthetic diamonds

Jaws with other surface coatings and openings are possible on request

Pneumatic accessories:



TH205-1 feed pedals for grips with spring return rods
 2 pneumatic foot switches, tubes and fittings. Max. 10 bar.
 Scope of delivery: 1 pair of foot switches including tubes and fittings.



TH205-2 locking
 2 pneumatic foot switches, tubes and fittings. Max 10 bar.
With locking function: The jaws of the grip open by pressing the foot pedal and remain opened after removing the foot from the pedal. The jaws close by pressing the pedal one more time.
 Only for single action rods with spring inside.
 Scope of delivery: 1 pair of foot switches including tubes and fittings



TH205-3
 1 unit of pneumatic hand switches, tubes and fittings. Max. 16 bar.
 With locking function
 Only for single action rods with spring inside.
 Scope of delivery: 1 unit of hand switches including tubes and fittings



TH216 Silent compressor for laboratories, oil-lubricated, with pressure reducer
 Max pressure 16 bar; 230 V/50 HZ; noise level: 38 dB(A)
 Motor: 0.13 kW; displacement: 17 l/min; tank size 3.5 l
 Dimensions: 340x290x340 mm (L x W x H); weight 18 kg