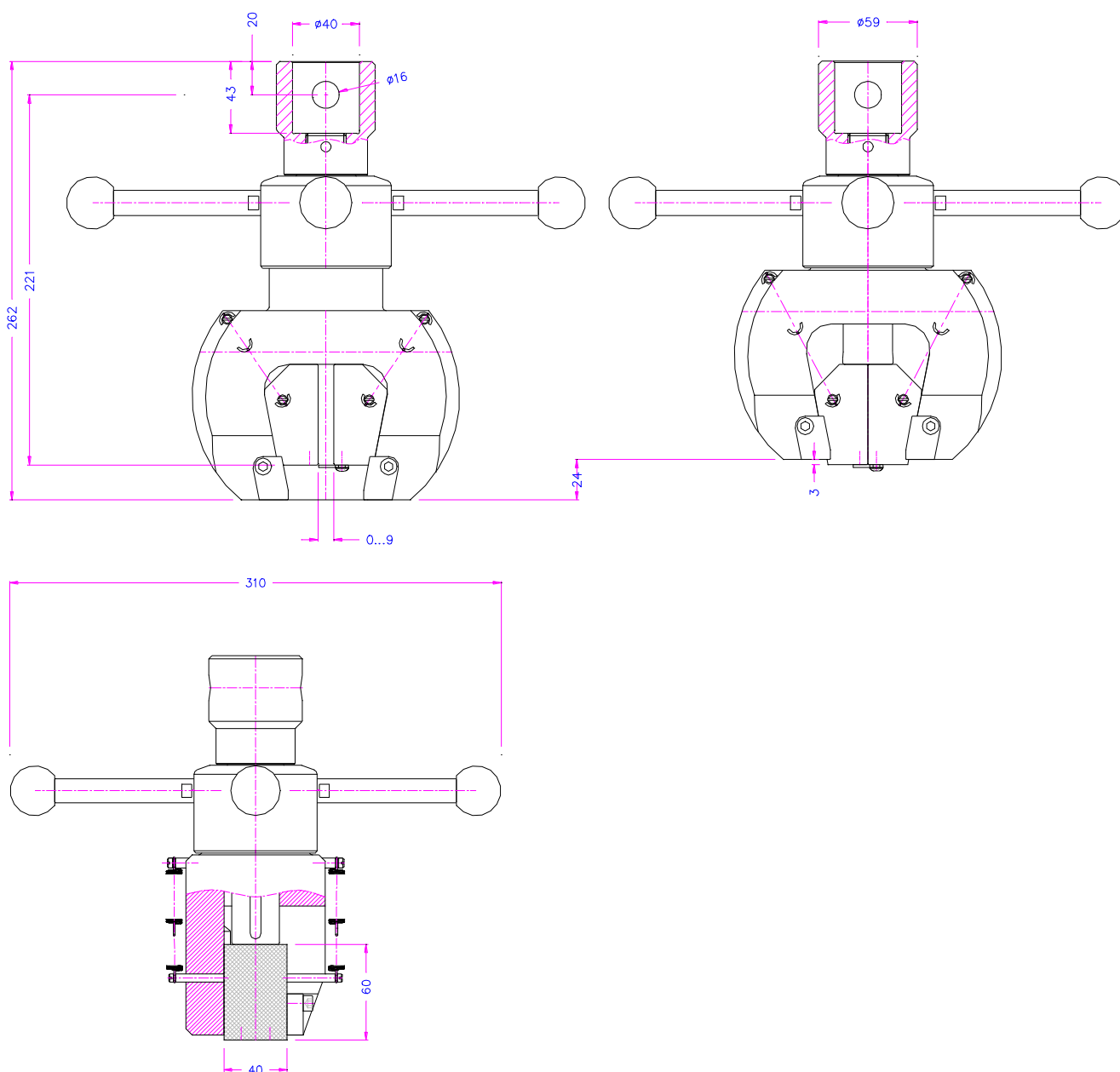


MANUAL NON-SHIFT WEDGE GRIP

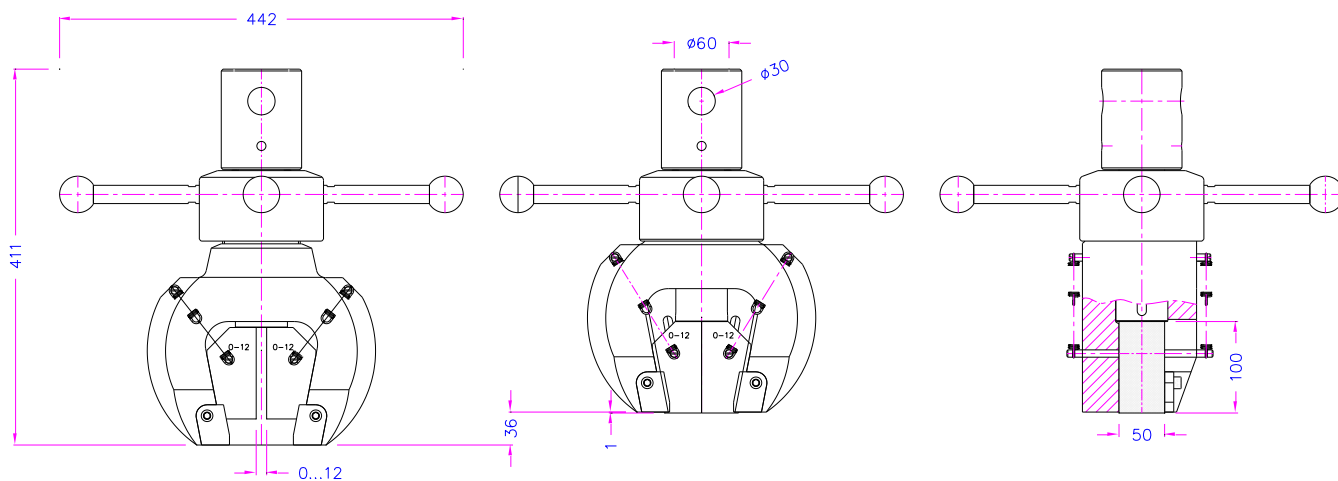
100 kN version:

Item no.:	THS1341-100
Max. load:	100 kN
Opening:	See page 3 for jaws
Clamping surface:	40x60 mm (W x H)
Coupling:	Af40. Further couplings on request
Material:	Steel, nickel-plated
Temperature range:	-20°C...+180°C Further temperature ranges on request
Weight:	12.6 kg per grip incl. jaws
Scope of delivery:	1 pair of grips



250 kN version:

Item no.:	THS1341-250
Max. load:	250 kN
Opening:	See page 3 for jaws
Clamping surface:	50x100 mm (W x H)
Coupling:	Af60. Further couplings on request
Material:	Steel, nickel-plated
Temperature range:	-20°C...+180°C Further temperature ranges on request
Weight:	44.8 kg per grip incl. jaws
Scope of delivery:	1 pair of grips



Jaws for THS1341-100 and THS1341-250:

Item no.:	Jaw opening:	Clamping surface (W x H):	Specimen type:
100 kN version:			
THS1341-100-BP9	0 – 9 mm	40x60 mm	Flat
THS1341-100-BV9	3 – 9 mm Ø	60 mm height	Round
250 kN version:			
THS1341-250-BP12	0 – 12 mm	50x100 mm	Flat
THS1341-250-BP20	10 – 20 mm	50x100 mm	Flat
THS1341-250-BP30	20 – 30 mm	50x100 mm	Flat
THS1341-250-BP40	30 – 40 mm	50x100 mm	Flat
THS1341-250-BV12	0 – 12 mm Ø	100 mm height	Round
THS1341-250-BV16	8 – 16 mm Ø	100 mm height	Round
THS1341-250-BV24	16 – 24 mm Ø	100 mm height	Round
THS1341-250-BV32	24 – 32 mm Ø	100 mm height	Round
THS1341-250-BV40	32 – 40 mm Ø	100 mm height	Round

Examples for further versions:

THS1341-50:
50 kN version

