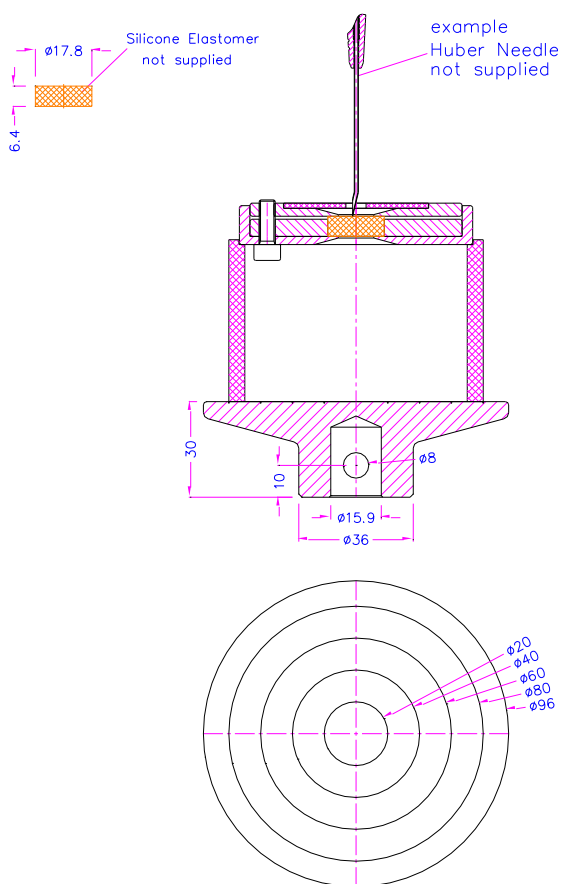
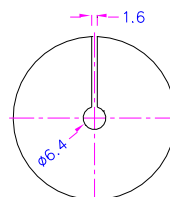


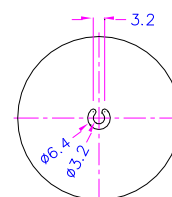
Test fixture for coring testing of Huber needles according to ASTM-F3212	
Item no.:	THS1406-ASTM-F3212
Max. load:	1 kN
Coupling:	Af159 or Af20. Further couplings on request.
Material:	Stainless steel V2A, polycarbonate
Temperature range:	0 ... +70°C Further temperature ranges on request
Scope of supply:	1 fixture incl. inserts. The bottom compression platen to be ordered separately.



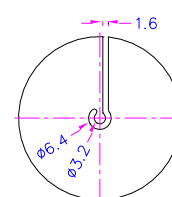
Polycarbonat



THS1406-05-01 Disc



THS1406-05-02 Disc



THS1406-05-03 Disc



Lower compression platen:
TH23-96-159-AI

96 mm diameter, coupling Af159 or Af20, anodized aluminium