



THS1730-V1

Fire sprinkler test fixture
EN12259-1 Fig. F.1

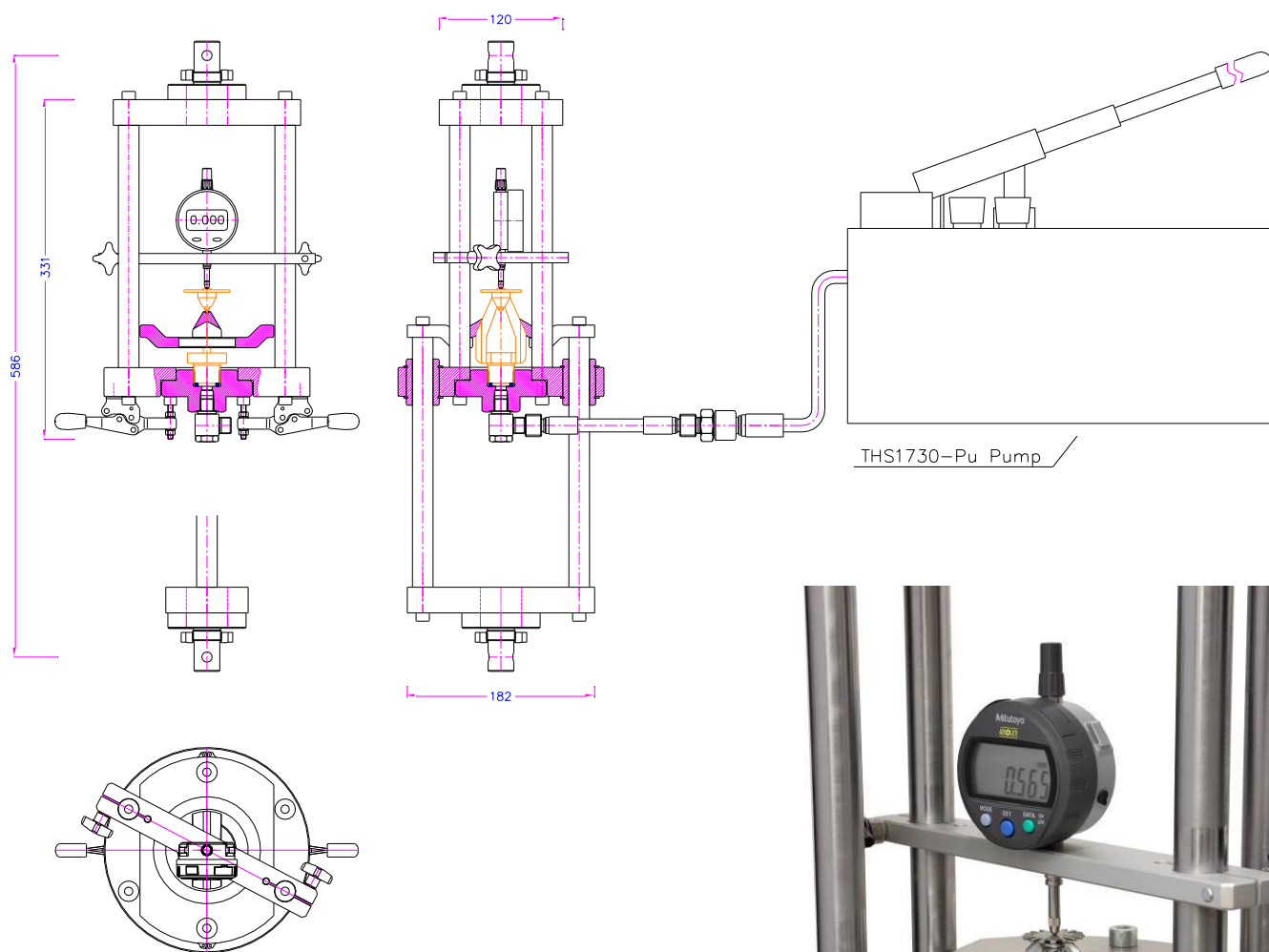


Art Nr- THS1730-V1 with pump THS1730-Pu

FIRE SPRINKLER TEST FIXTURE

to measure tensile strength of fire sprinklers according to DIN EN12259-1.

Item no.:	THS1730-V1
Max. load:	5 kN at 50 bar
Material:	Steel + Aluminium
Weight:	12.2 kg (fixture without insert) 1.2 kg (insert for holding sprinkler) 12 kg (hydraulic pump <i>THS1730-Pu</i>)
Scope of delivery:	Test fixture incl. sprinkler holder inserts and hydraulic pump <i>THS1730-Pu</i>

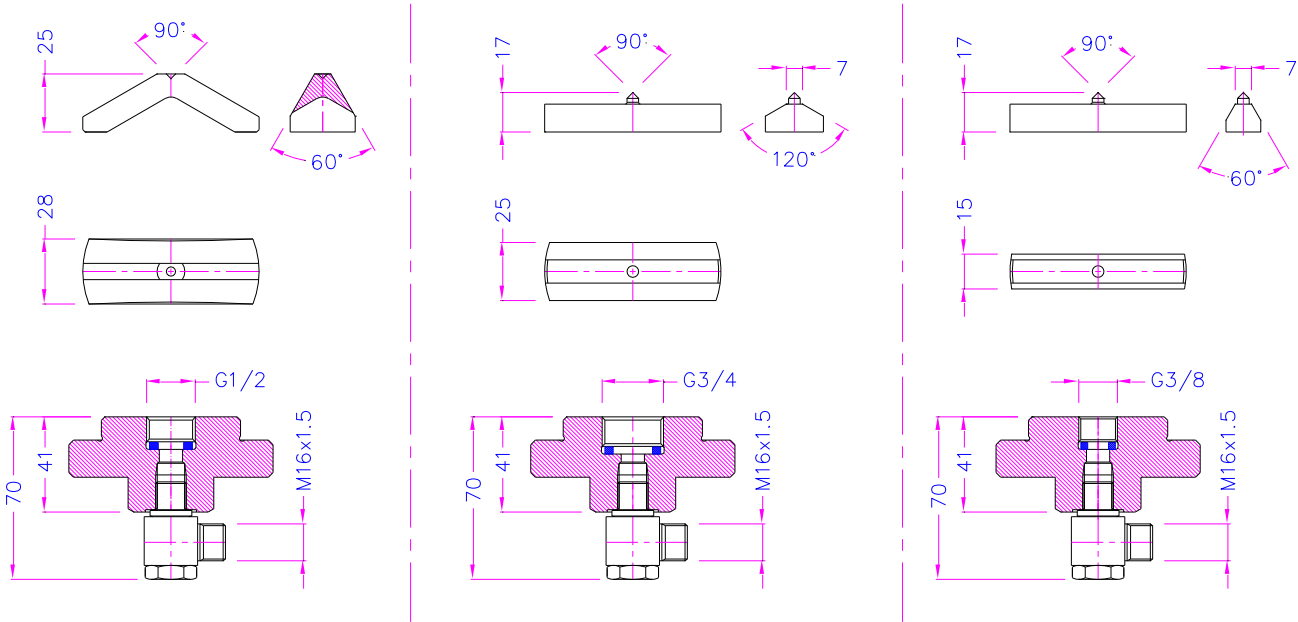


See [test video](#)



Sprinkler holder inserts for THS1730-V1 test fixture:

Item no.:	THS1730-EGx x = diameter of threaded hole
Examples:	
THS1730-EG1/2"	Insert for nozzle 1/2" diameter
THS1730-EG3/4"	Insert for nozzle 3/4" diameter
THS1730-EG3/8"	Insert for nozzle 3/8" diameter



Hydraulic pump for THS1730-V1 test fixture:	
Item no.:	THS1730-Pu
Max. pressure:	60 bar
Volume:	12 l
Weight:	8 kg

