

Pincer grip with spring

Small spring forced pincer grips.

Versatile, easy to use. Suitable for small forces, pull of tests, tear test of components, adhesive bonds, plastic weldings (paper, plastics, rubber) etc. Chain mounting for flexible positioning.

THS205k: Standard with chain

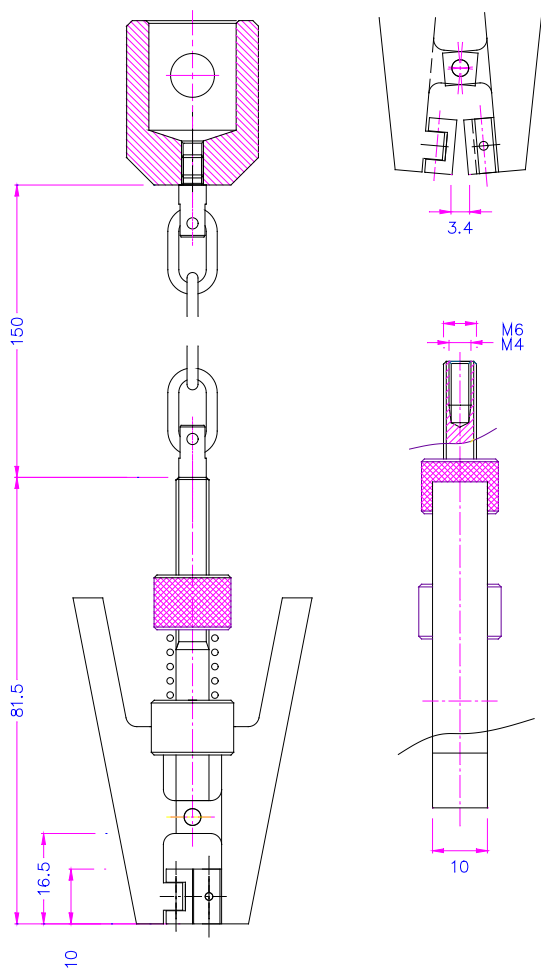
THS205k-F: Without chain (adapter is mounted directly on the pincer grip).

Item no.:	THS205k
Tensile force:	20 N
Opening:	0 – 3.4 mm
Jaws:	Smooth (blank) jaws Pyramid (serrated jaws)
Body:	Aluminium, anodized
Temperature range:	0 ... +180°C Further temperature ranges on request
Weight:	98 g incl. jaws and chain (THS205k) 61 g incl. jaws (THS205k-F)
Scope of delivery:	THS205k: 1 pincer grip incl. chain THS205k-F: 1 pincer grip without chain

Jaws must be ordered separately



THS205k



THS205k



THS205k



THS205k-F



THS205k+BP20x20



THS205k-BP20x20 Pyramid jaws 20x20 mm



Jaws for THS205k, 1 set = 2 jaws

Item no.:	Surface:	Clamping surface (h x w):
THS205k-B	Blank (smooth) jaws	10x10 mm
THS205k-BP	Pyramid (serrated) jaws 0.3x45°	10x10 mm
THS205k-BP15x15	Pyramid (serrated) jaws 0.3x45°	15x15 mm
THS205k-B20x20	Blank (smooth) jaws	20x20 mm
THS205k-BP20x20	Pyramid (serrated) jaws 0.3x45°	20x20 mm

Further jaw surfaces and sizes on request

Similar grips



THS470
[Datasheet](#)



THS501 (pneumatic)
[Datasheet](#)



THS341
[Datasheet](#)



THS7-10 (wedge grip)
[Datasheet](#)