

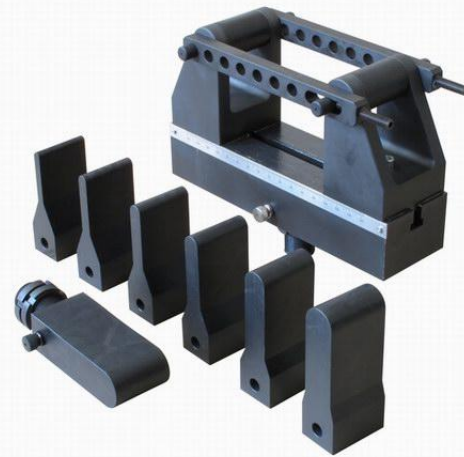
# THS260

180° bendi fixture  
With side bars

Faltvorrichtungen  
Unten Rolle mit Seitenleisten für hohe  
Horizontalkräfte

50 – 500kN

THS260-115-400-R12-R80

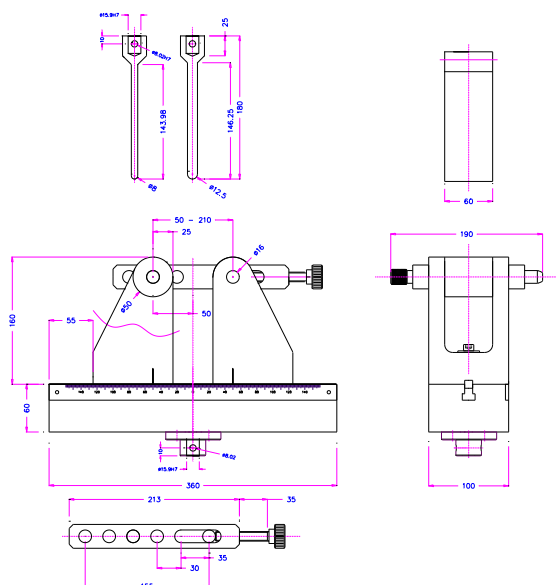
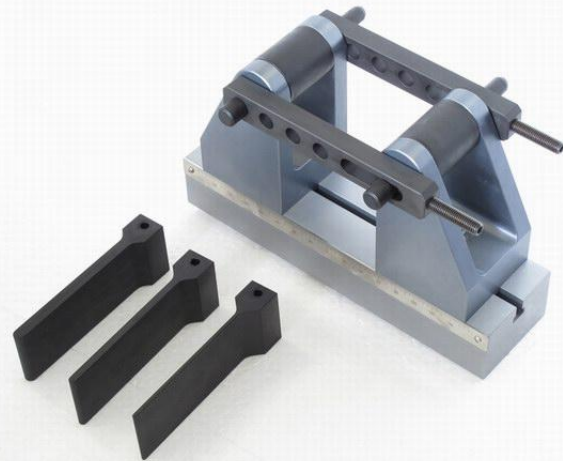


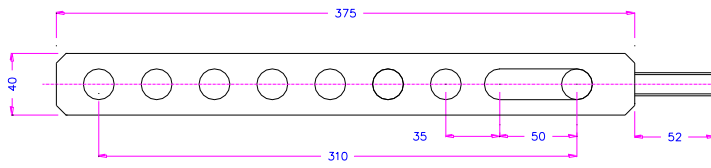
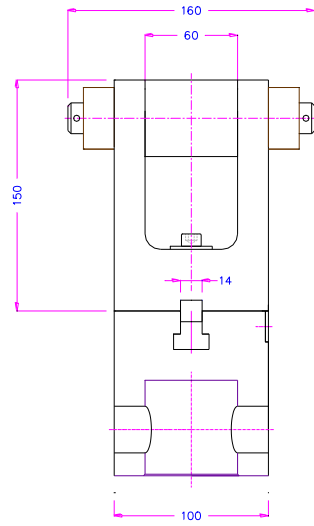
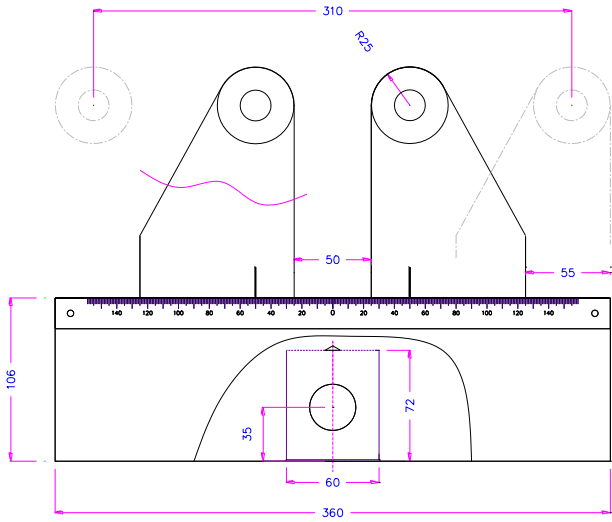
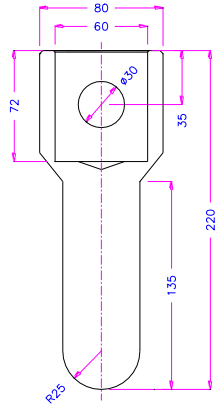
# THS260-100-B360

folding fixture like figured  
Conform to DVS2203  
bend fixture for 180 degree

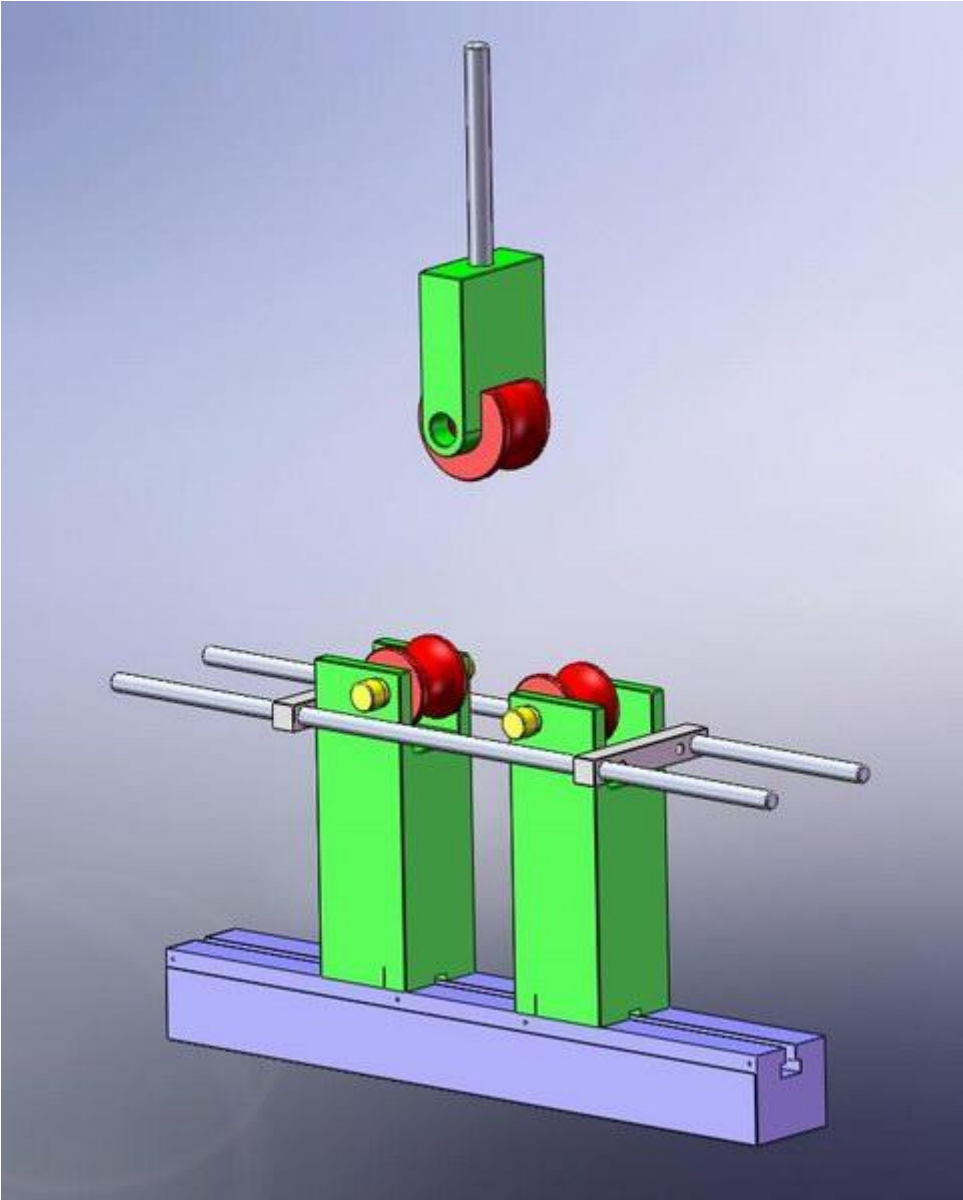
2 upper fins diameter 8 and 12.5mm  
hardened  
2 lower roller diameter 50mm hardened

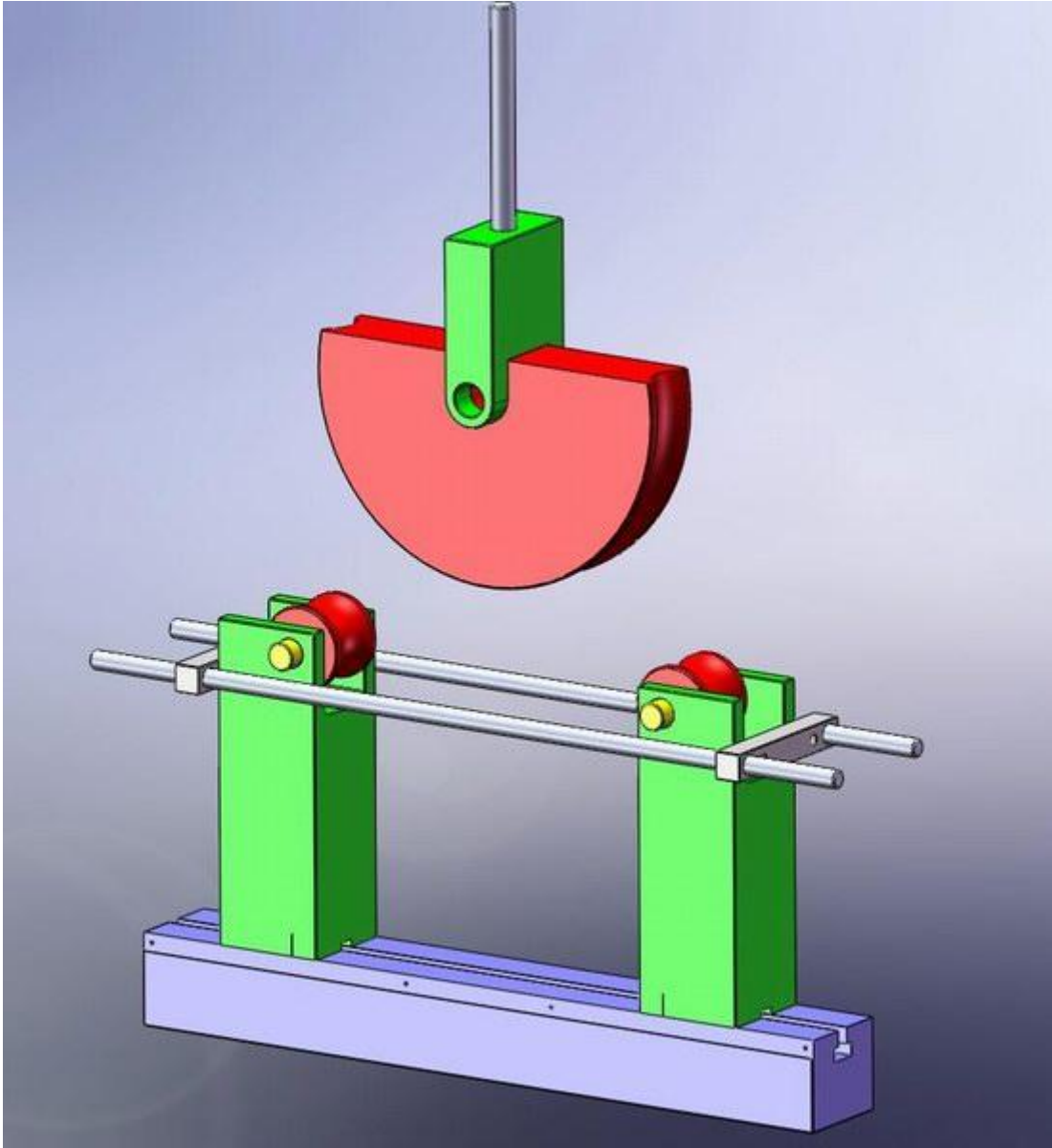
Support height 160mm  
Max fold distance 105mm  
Lower bar 260  
50kN Alu



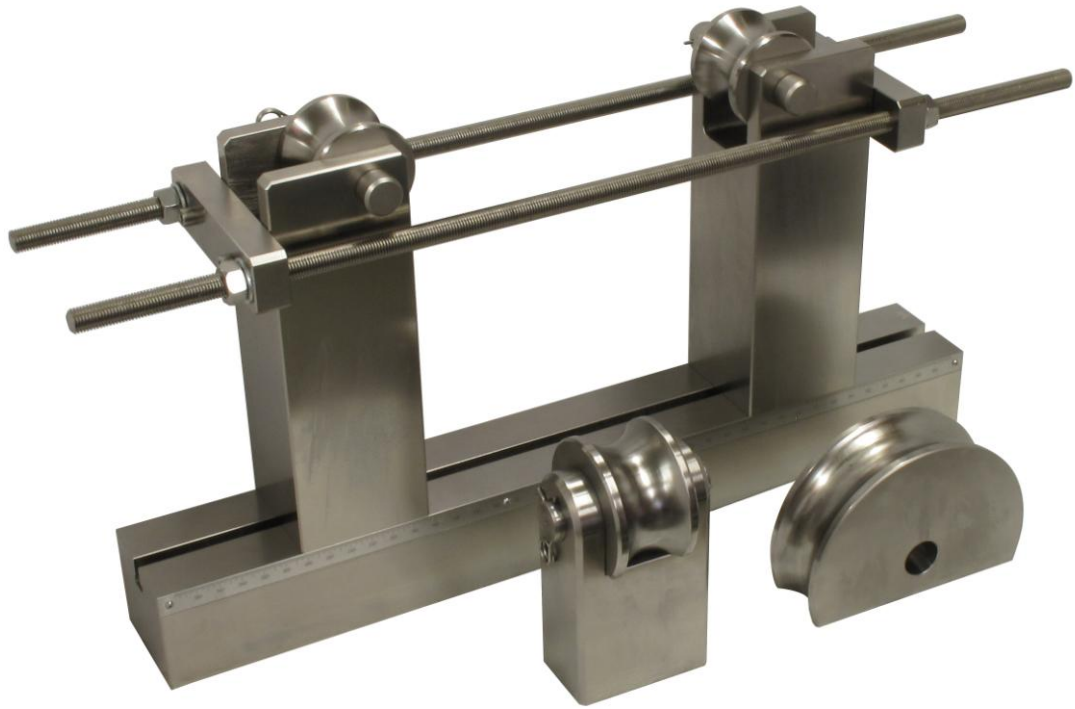


THS260-100-360-Af60



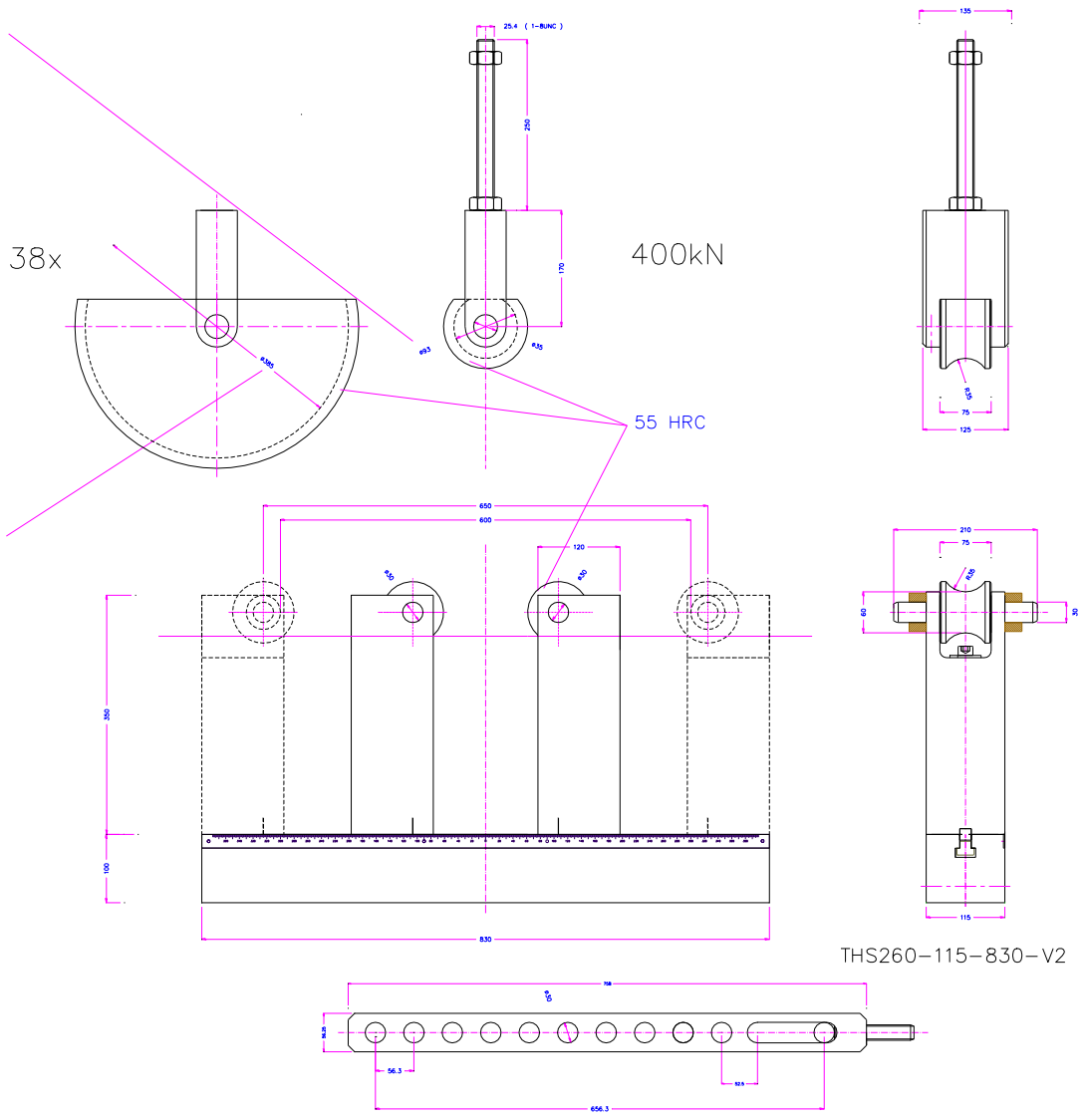


THS260-115-830-V1-FD385



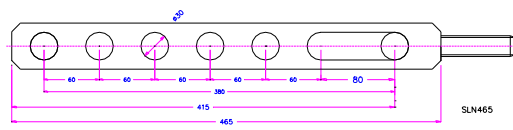
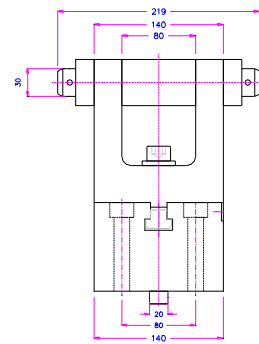
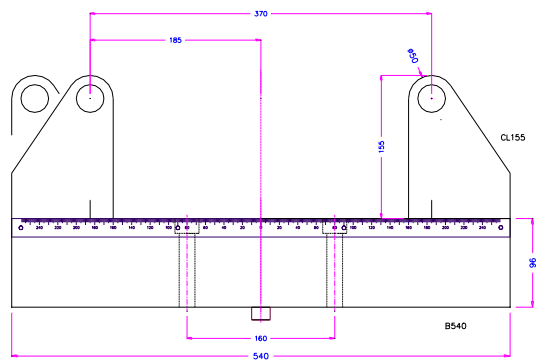
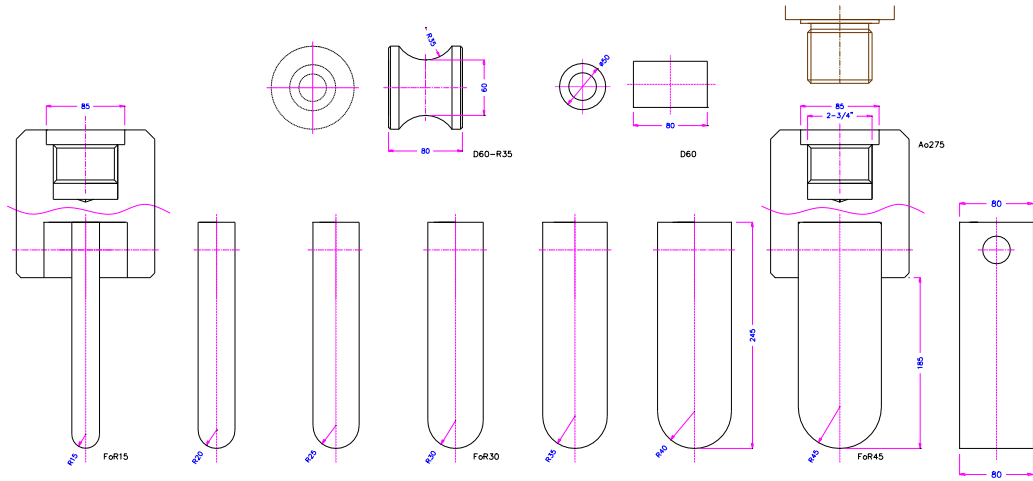
THS260-115-830-V1-FD385

108  
114  
120  
123  
128  
129  
144  
152  
153  
160  
164  
165  
172  
180  
190  
192  
200  
204  
205  
215  
216  
220  
224  
228  
240  
246  
252  
255  
258  
266  
275  
280  
287  
301  
306  
330  
337  
355

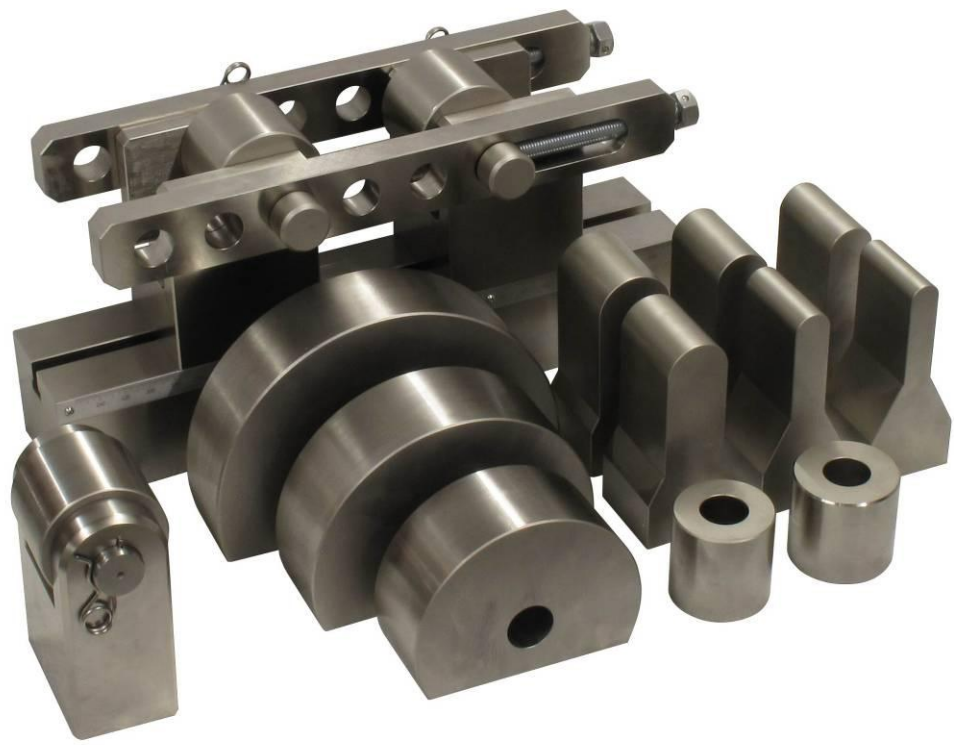


THS260-115-830-V2

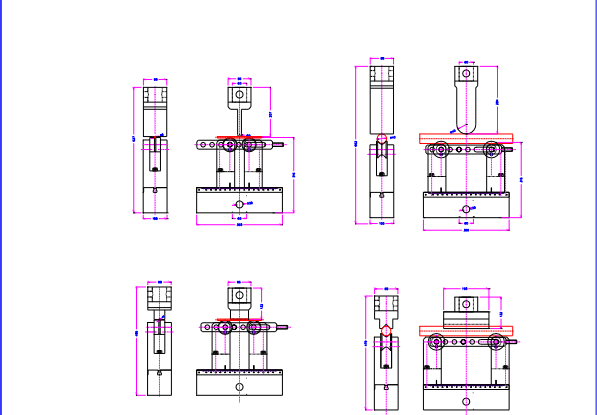
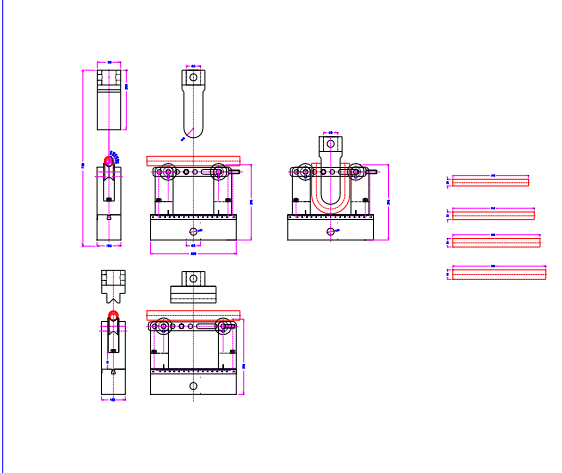
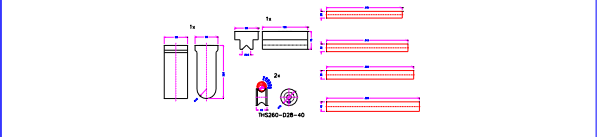
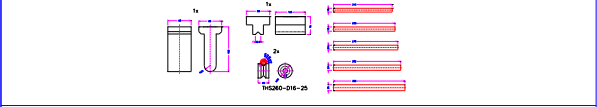
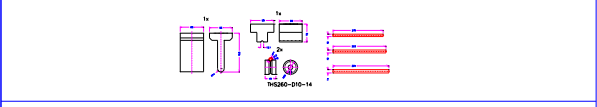
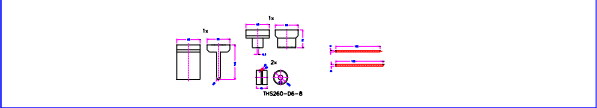
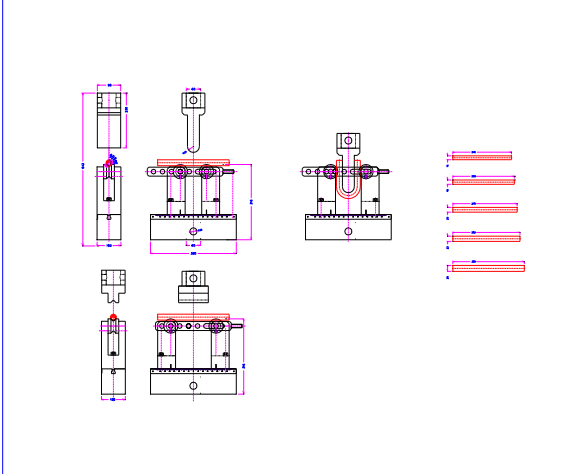
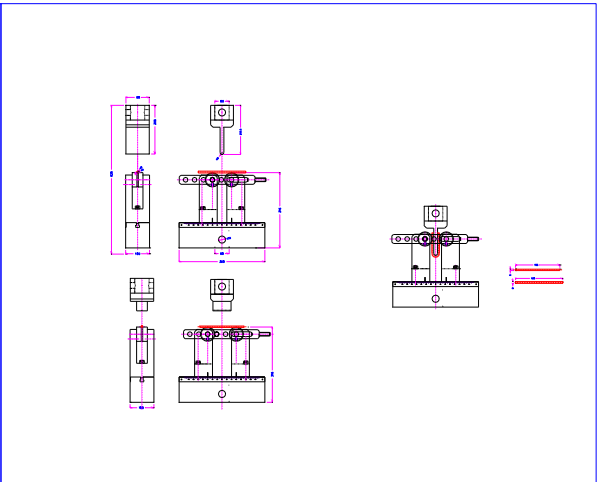
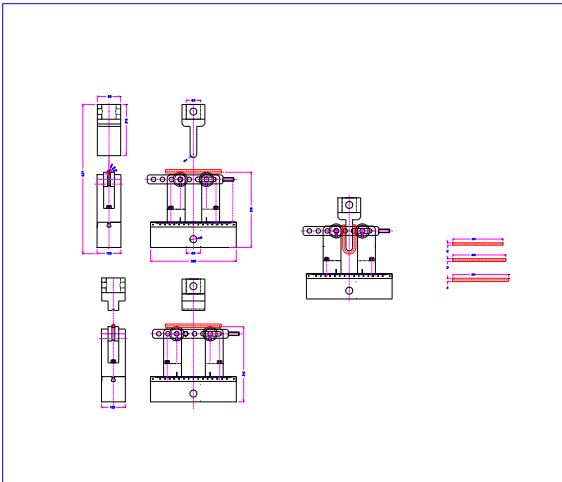
THS260-115-830-V1-FD385



THS260.14

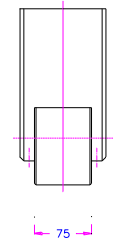
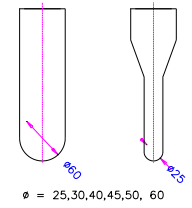
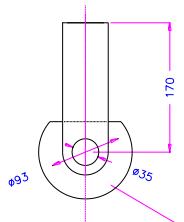
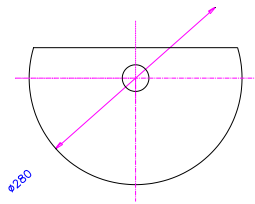






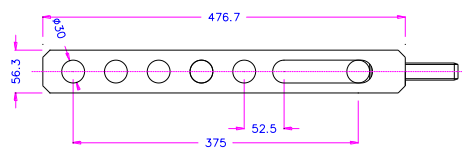
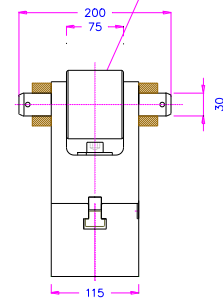
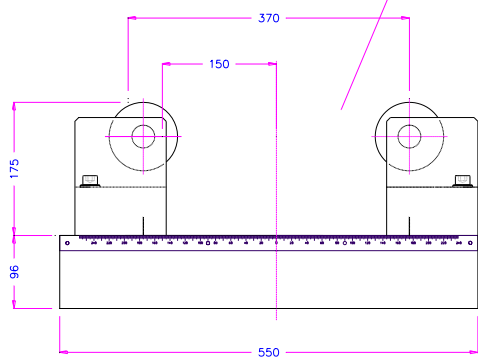
THS260-100-360-Af60-D6-40 S121011

ø = 75,80,90,140,175,225,280

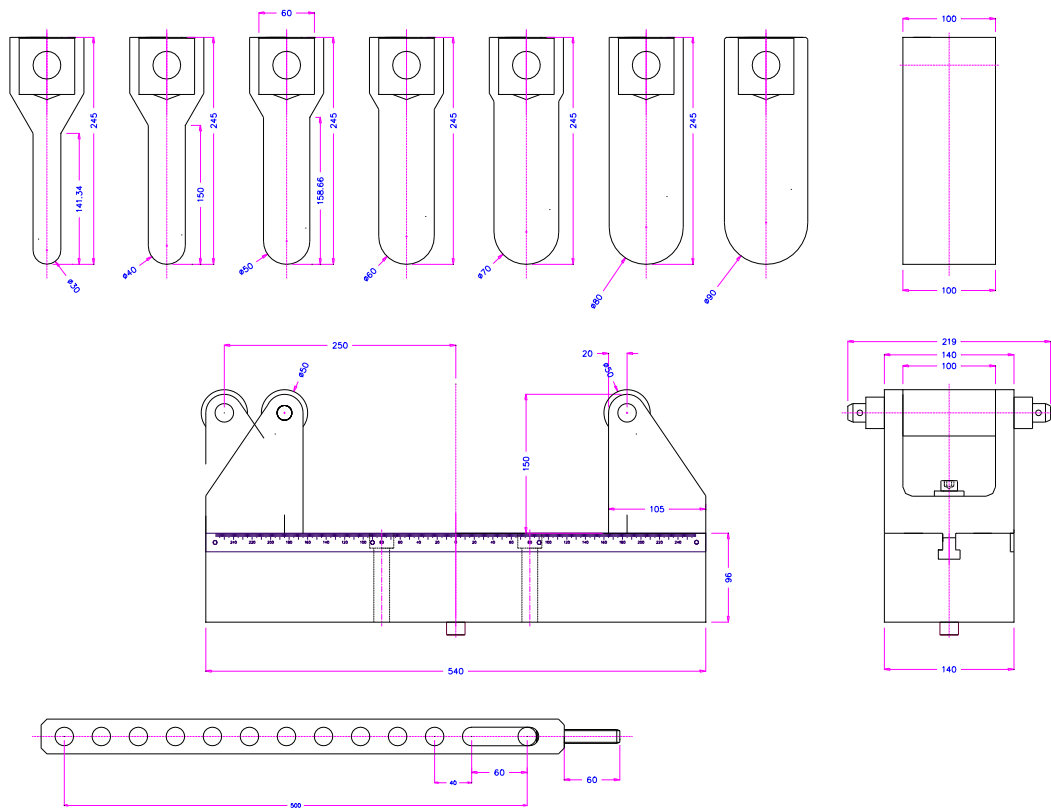


58 HRC

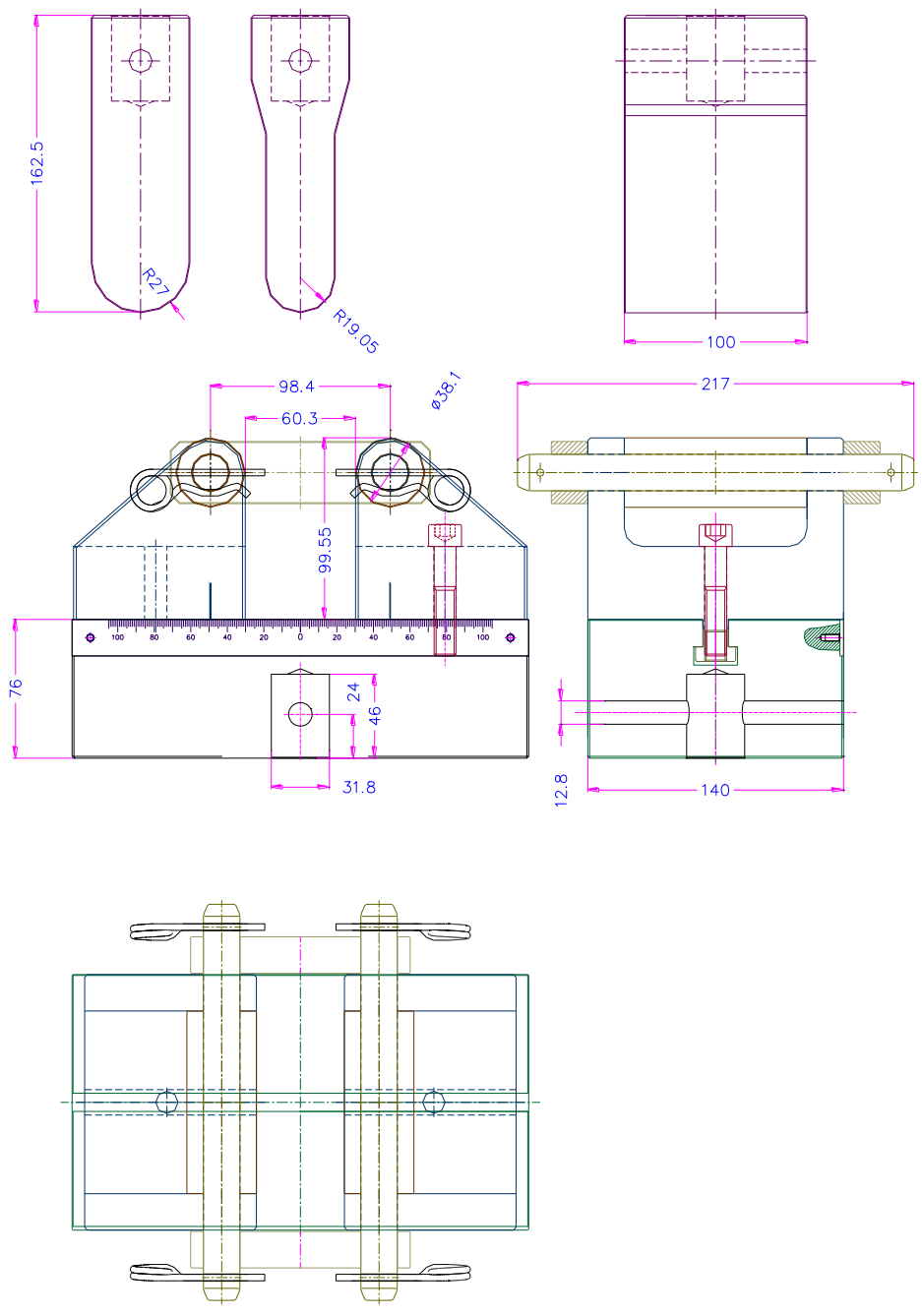
58 HRC



THS260-115-550-V3



THS260-140-540 S1278



THS260-140-500-S1

Siehe auch

TH238 TH103 TH22