

## SHEAR TEST FIXTURES

to test steel welded wires according to ASTM A185, ASTM A497, ASTM A974, ASTM C1452, DIN 488-5, DIN EN ISO 15630-2, DIN EN 10223-8, GOST 10922-12 (Fig.4), NBR5916.

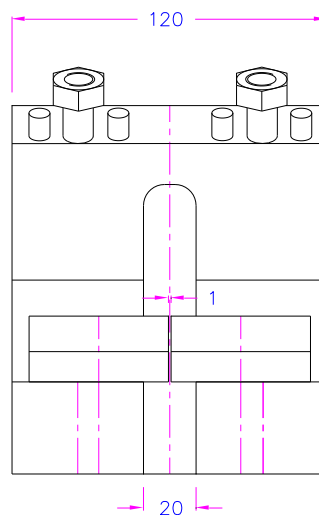
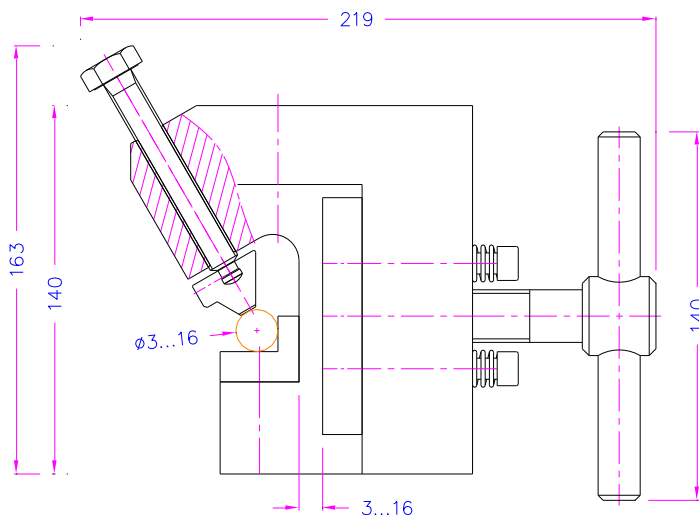
Additional lower grip is required for the test (see page 8).  
The lower grip is not included in the scope of supply and must be ordered separately.



**Item no.:** THS290-1-3-16

According to **DIN 488** - Reinforcing steels - Lattice girders. Shear test. Part 2.  
**ASTM C1452** - Standard specification for reinforced autoclaved aerated concrete elements.

- Sample size: Ø 3-16 mm  
Further sample sizes on request.
- Max. load: 50 kN
- Adapter: Flange adapter or threaded rod.
- Body: Steel, nickel-plated
- Temperature range: 0 ... +70°C.  
Further temperature ranges on request.
- Weight: 12.9 kg per grip without adapter
- Scope of supply: 1 fixture



with threaded rod

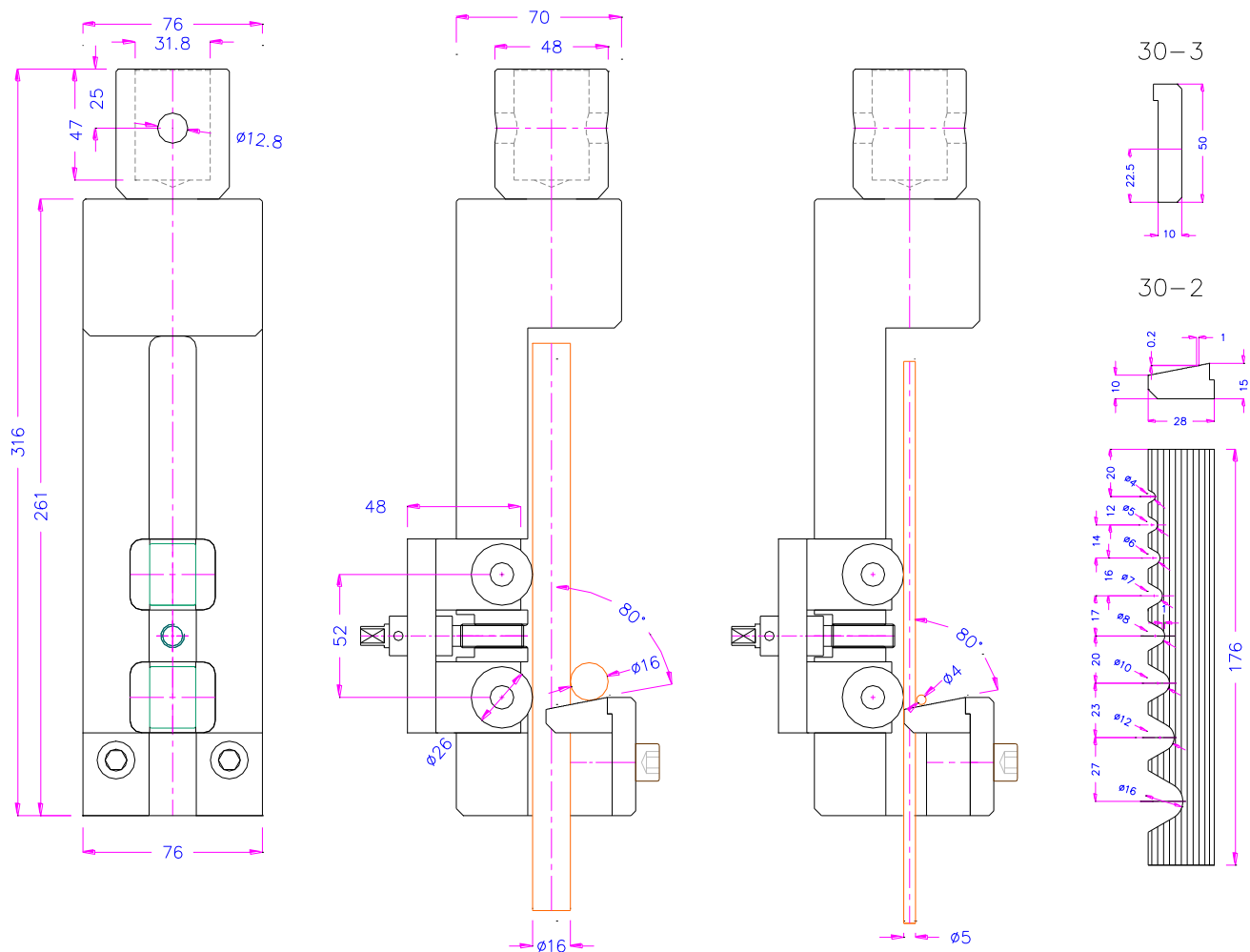


with flange adapter

**Item no.:** THS290-30

According to **DIN EN ISO 15630-2** - Steel for the reinforcement and prestressing of concrete - Test methods - Part 2: Welded fabric

- Sample size: Ø 4-16 mm  
Further sample sizes on request.
- Max. load: 50 kN
- Coupling: Af318. Further couplings on request.
- Body: Steel, nickel-plated
- Temperature range: 0 ... +70°C.  
Further temperature ranges on request.
- Scope of supply: 1 fixture



THS290-30-Af318

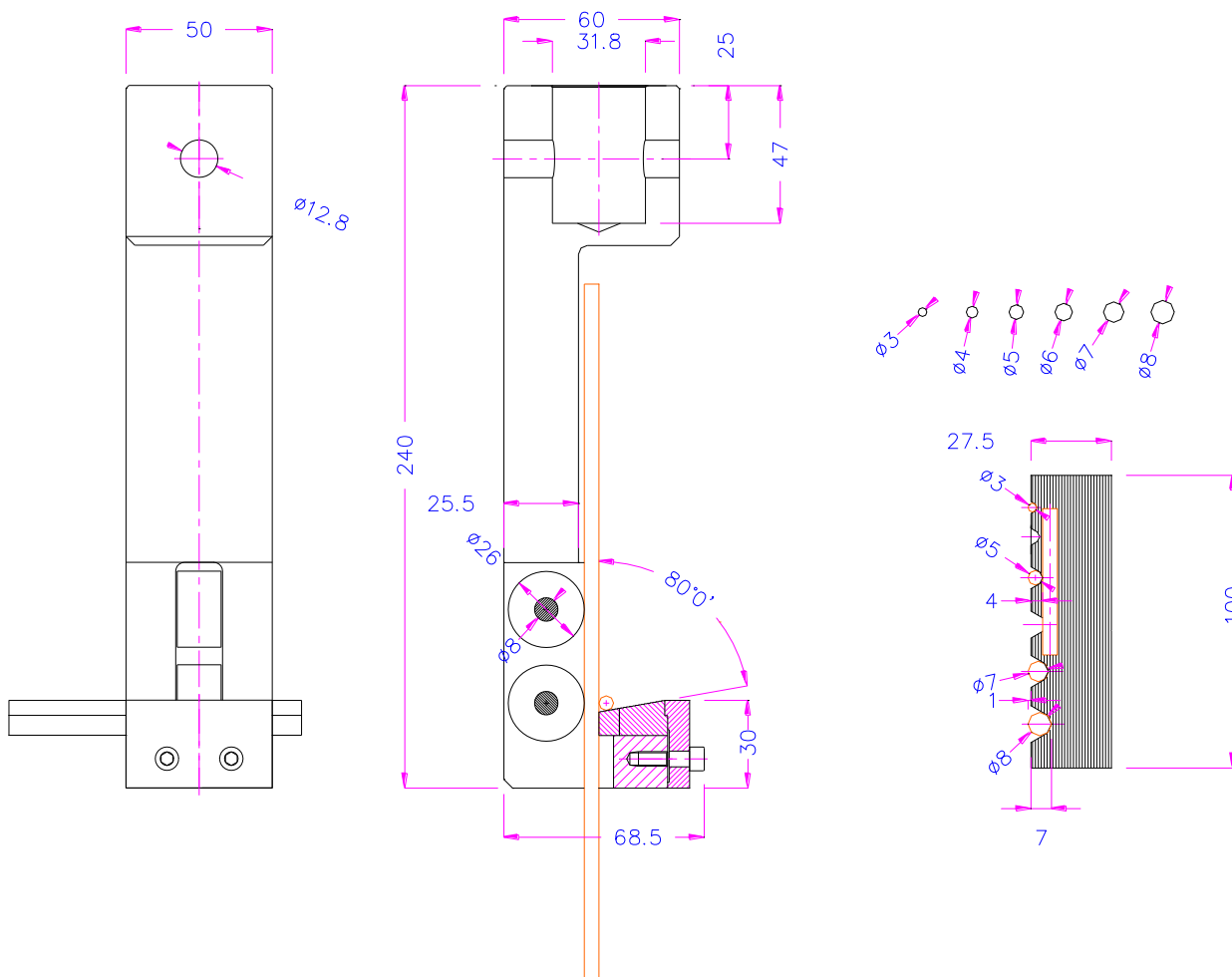
**Item no.:** THS290-20

According to **ASTM A185** - Standard specification for steel welded wire reinforcement, plain, for concrete.

**ASTM A497** - Standard specification for steel welded wire reinforcement, deformed, for concrete.

**ASTM A974** - Welded wire fabric gabions and gabion mattresses (metallic-coated or polyvinyl chloride (PVC) coated).

- Sample size: Ø 3-8 mm  
Further sample sizes on request.
- Max. load: 50 kN
- Coupling: Af318. Further couplings on request.
- Body: Steel, nickel-plated
- Temperature range: 0 ... +70°C.  
Further temperature ranges on request.
- Scope of supply: 1 fixture

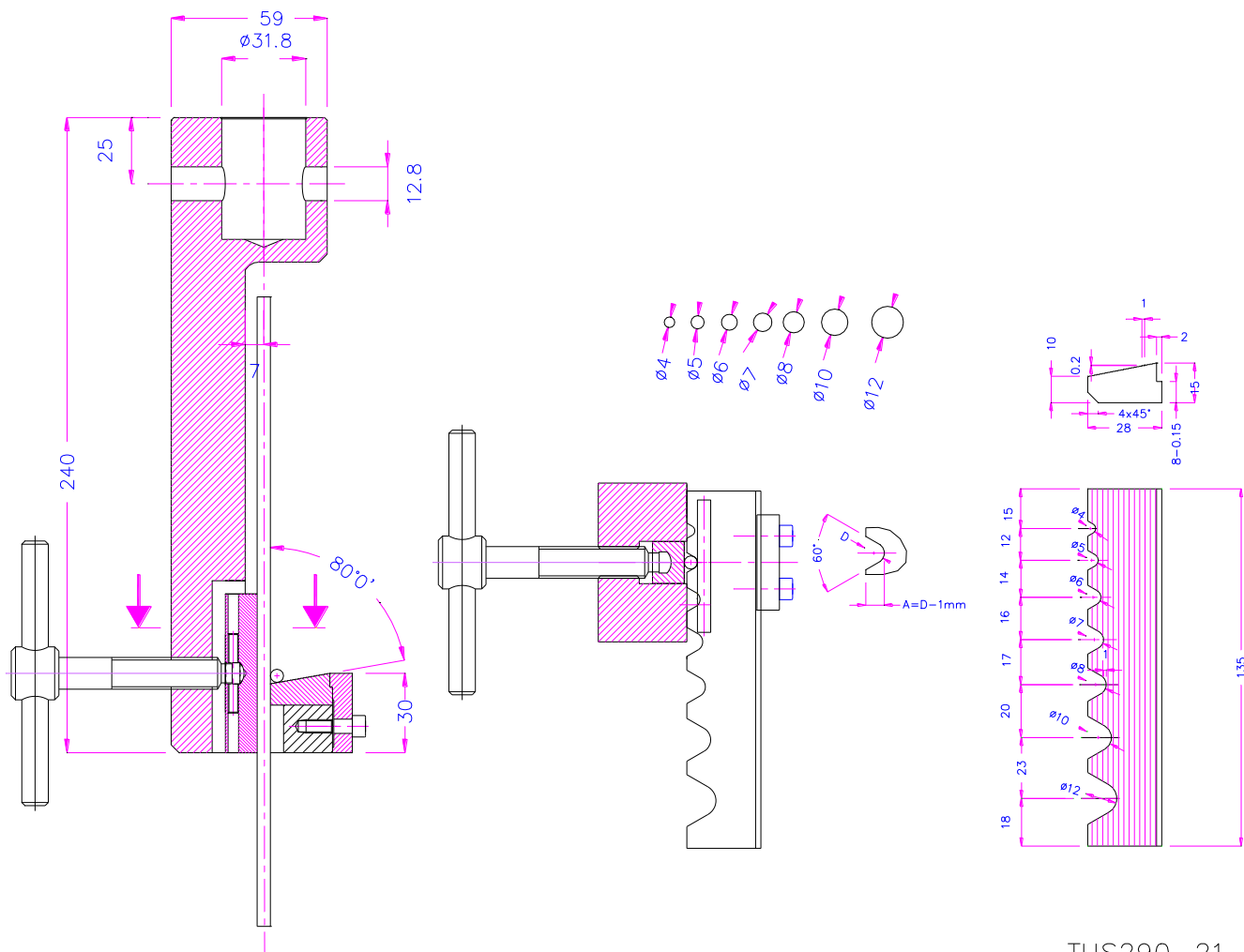


THS290-20

**Item no.: THS290-21**

According to **EN ISO 15630-2 (BS 44483)** –  
 Steel for the reinforcement and prestressing of concrete -  
 Test methods - Part 2: Welded fabric.

- Sample size: Ø 4-12 mm  
Further sample sizes on request.
- Max. load: 50 kN
- Coupling: Af318. Further couplings on request.
- Body: Steel
- Temperature range: 0 ... +70°C.  
Further temperature ranges on request.
- Scope of supply: 1 fixture



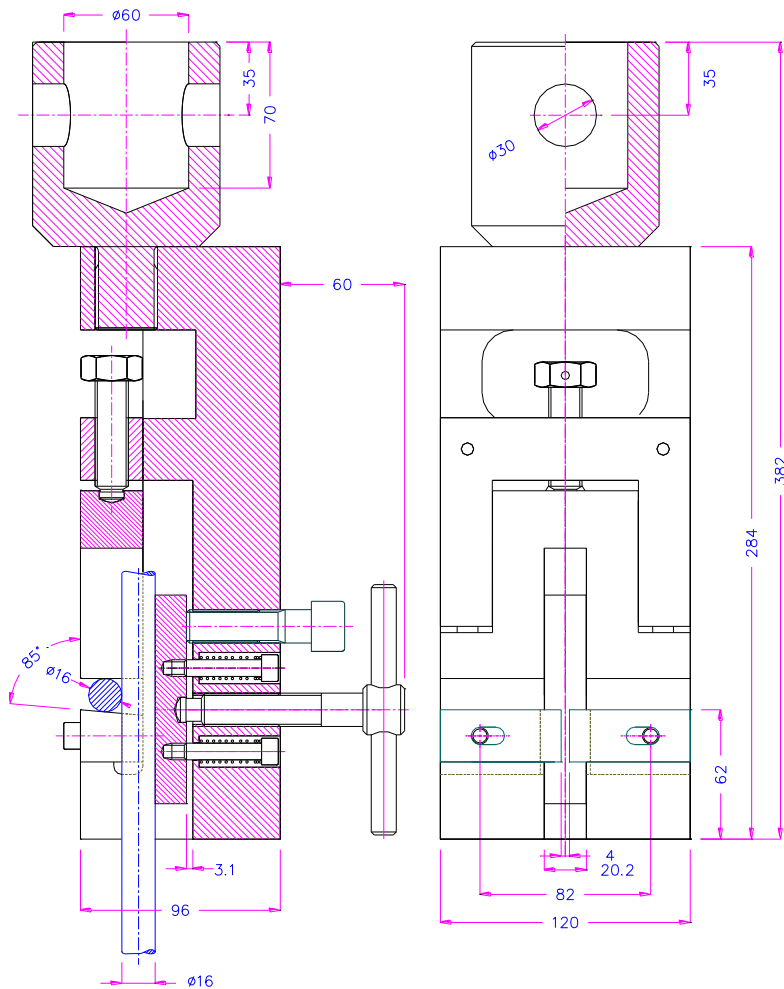
THS290-21

**Item no.: THS290-10**

According to **ASTM C1452** - Standard specification for reinforced autoclaved aerated concrete elements.

**DIN EN ISO 15630-2** - Steel for the reinforcement and prestressing of concrete - Test methods - Part 2: Welded fabric.

- Sample size: Ø 3-16 mm  
Further sample sizes on request.
- Max. load: 100 kN (with Af40) or  
250 kN (with Af60)
- Coupling: Af40 or Af60.  
Further couplings on request.
- Body: Steel, nickel-plated
- Temperature range: 0 ... +70°C.  
Further temperature ranges on request.
- Scope of supply: 1 fixture



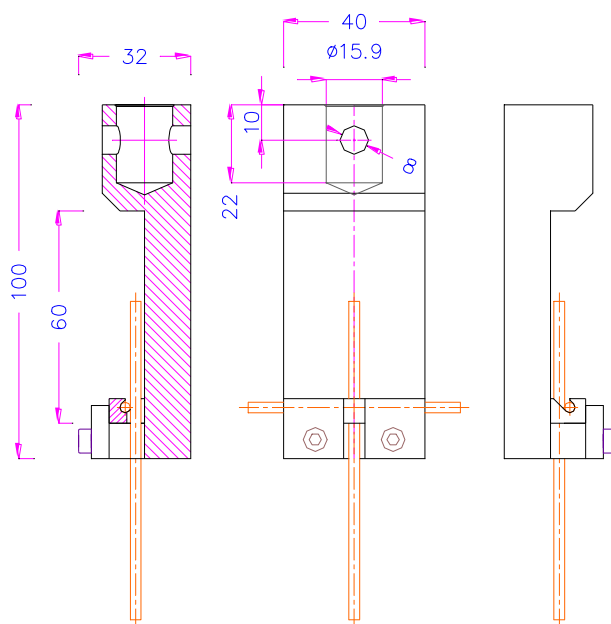
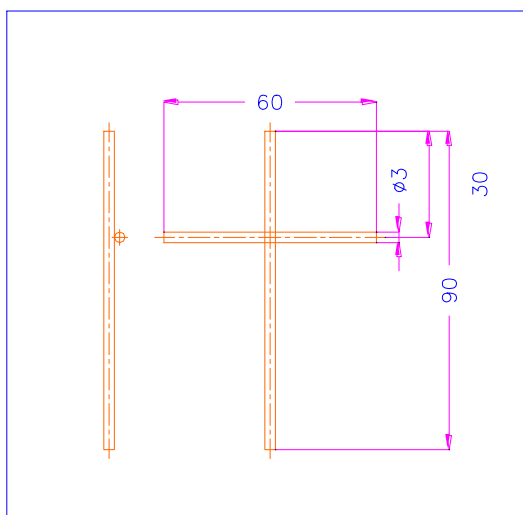
THS290-10

**Item no.: THS290-40**

According to **DIN EN 10223-8** - Steel wire and wire products for fencing and netting - Part 8: Welded mesh gabion products.

**DIN EN ISO 15630-2** - Steel for the reinforcement and prestressing of concrete - Test methods - Part 2: Welded fabric.

- Sample size: Ø 3 mm
- Max. load: 20 kN
- Coupling: Af159. Further couplings on request.
- Body: Steel, nickel-plated
- Temperature range: 0 ... +70°C. Further temperature ranges on request.
- Scope of supply: 1 fixture

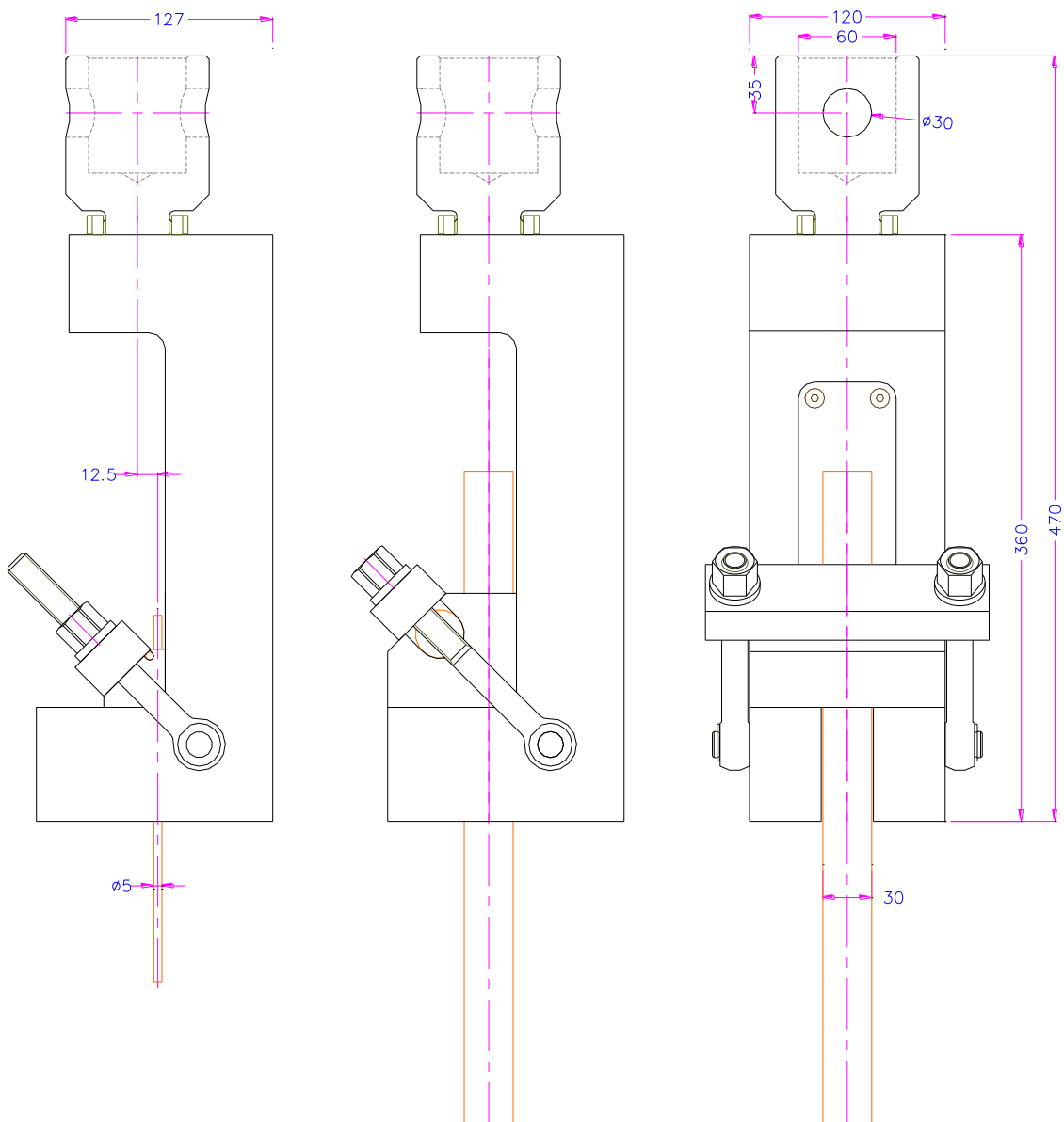


THS290-40

**Item no.:** THS290-41

According to **GOST 10922-12 (Fig.4)** - Welded reinforcing products and inserts, welded, lap and mechanical joints for reinforced concrete structures. General specifications.

- Sample size: Ø 5-30 mm
- Max. load: 250 kN
- Coupling: Af60.  
Further couplings on request.
- Body: Steel, nickel-plated
- Temperature range: 0 ... +70°C.  
Further temperature ranges on request.
- Scope of supply: 1 fixture

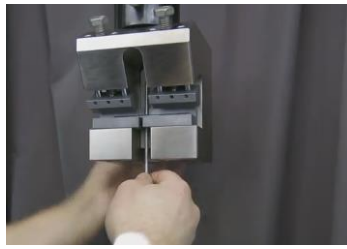



THS290-41-250-Af60-GOST10922-12-Fig4

**Videos**

**Grip assembly**

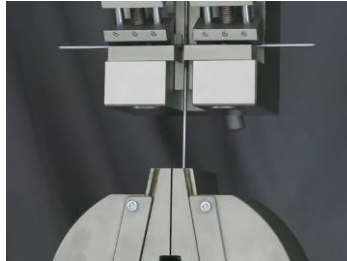
THS290-1-3-16 to DIN 488, ASTM C1452



Watch video 

**Sample testing**

THS290-1-3-16 to DIN 488, ASTM C1452



Watch video 

**Recommendations for lower grip**

For 50 kN max. load we recommend TH204 and TH243-50 wedge grips.  
Grips for higher loads on request.



**TH204**  
[Datasheet](#)

**TH243-50**  
[Datasheet](#)



**THS162-106 simple shear jig**

<https://youtu.be/frSl6AkCV6A>

<https://youtu.be/nzknqDoeSAk>

