

VICE GRIP FOR WIDE SAMPLES

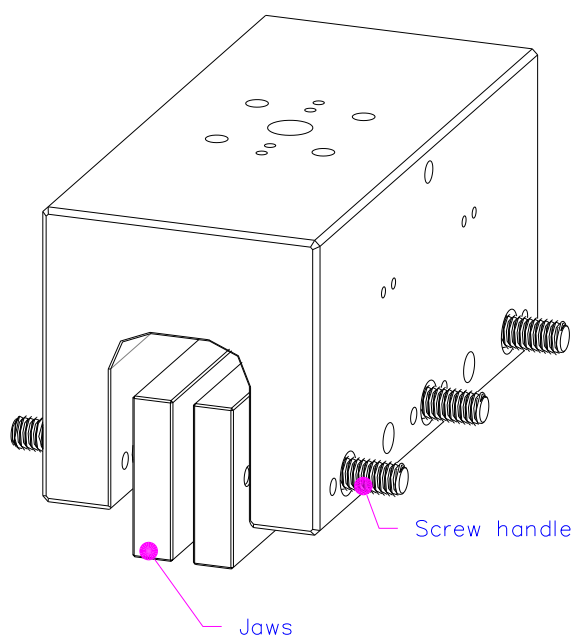
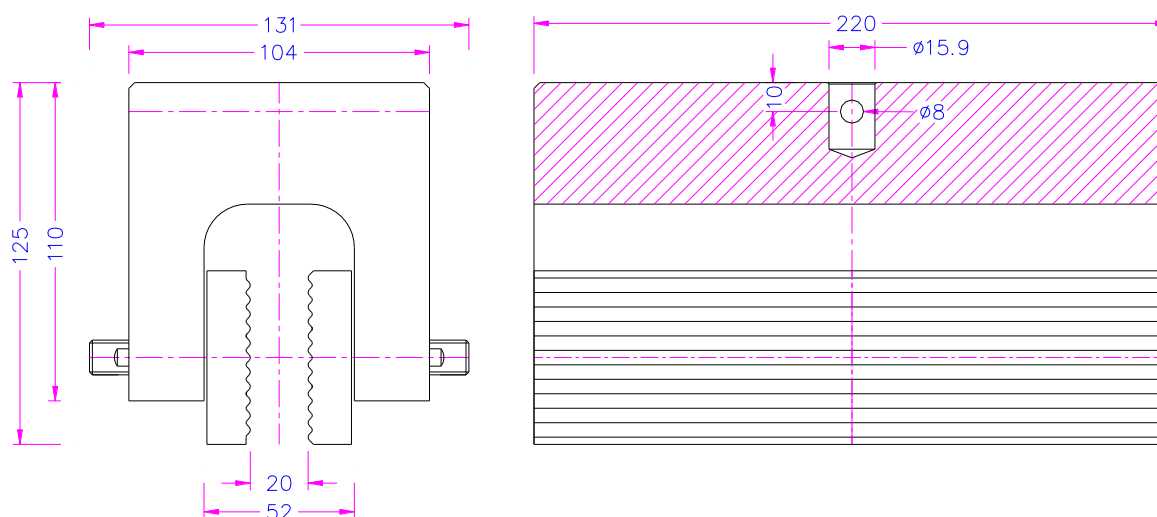
e.g. textiles

Manual and pneumatic versions available

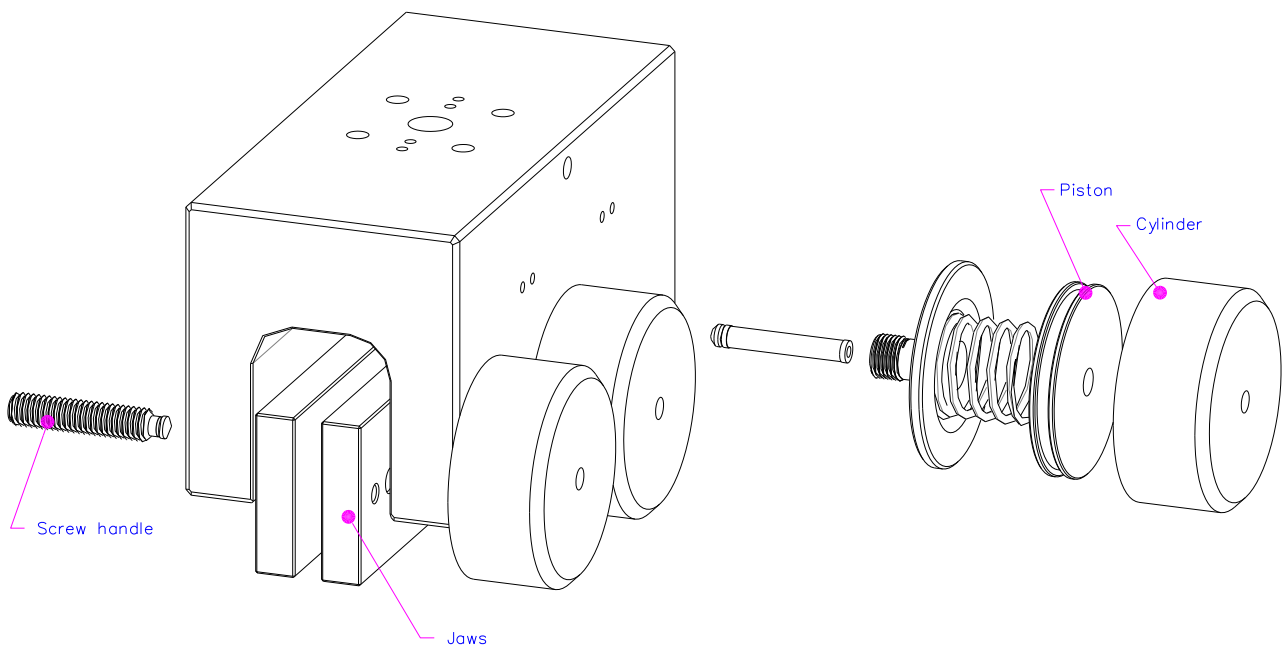
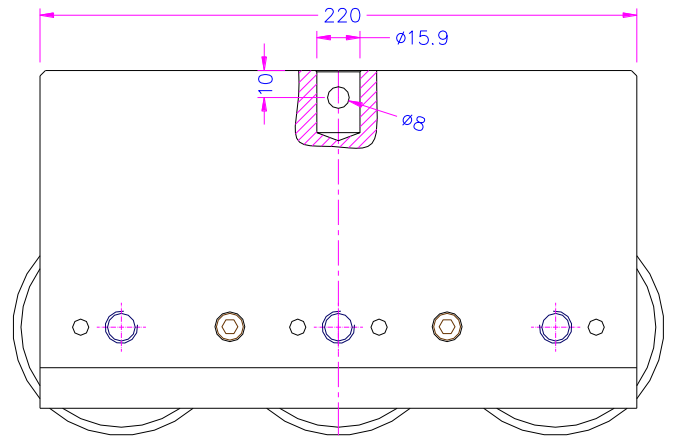
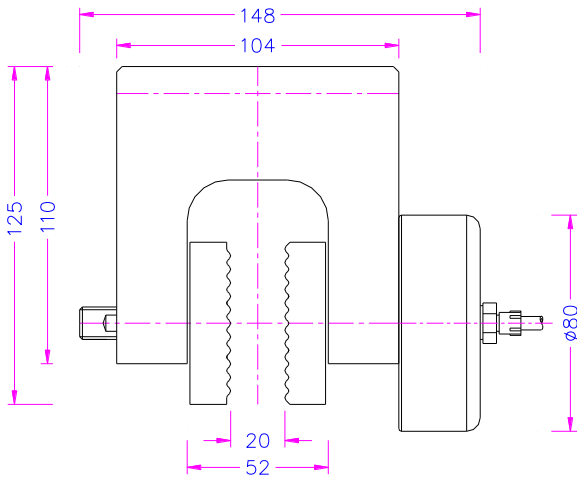


| Item no.: | THS370-220 (manual version) THS370-220+Ko (pneumatic version) |
|-------------------------------|--|
| Max. load: | 20 kN (manual grip) 7.8 kN clamping force at 7 bar and 17.8 kN clamping force at 16 bar (pneumatic grip) |
| Coupling: | Af159. Further couplings on request |
| Body: | Aluminium, anodized |
| Jaws: | Steel, hardened |
| Temperature range: | 0 ... +70°C. Further temperature ranges on request |
| Weight (1 grip without jaws): | 4.86 kg (THS370-220) 5.90 kg (THS370-220+Ko) |
| Scope of supply: | 1 pair of grips without jaws |

Manual version:



Pneumatic version:



Jaws for THS370-220 grips:

Scope of delivery: 1 set = 4 jaws

| Item no. | Surface | Clamping surface H x W | Opening | Weight per pair |
|---------------|-------------------------|---------------------------|-----------|-----------------|
| THS370-220-BW | Wave jaws | 60 x 220 mm | 0 – 20 mm | 2.85 Kg |
| THS370-220-BP | Pyramid (serrated) jaws | 60 x 220 mm | 0 – 20 mm | 2.85 kg |



Pyramid (serrated) jaws

- Pyramids 1.2 x 45°
- Hardened steel
- Nickel-plated



Wave jaws

- For flexible materials
- Wave 5 mm
- Hardened steel
- Nickel-plated

Pneumatic accessories:



TH205-1 Foot pedals

None locking: The jaws of the grip open by pressing the foot pedal and close after removing the foot from the pedal.

Scope of delivery: 1 pair of foot switches including tubes and fittings



TH205-2 Foot pedals

With locking function: The jaws of the grip open by pressing the foot pedal and remain opened after removing the foot from the pedal. The jaws close by pressing the pedal one more time.

Scope of delivery: 1 pair of foot switches including tubes and fittings



TH205-PR16bar Pressure regulator

Optional for TH205-1 or TH205-2

To adjust air pressure: 1-16 bar



TH205-3 Hand switches

With locking function: The jaws of the grip close by pulling the handle and remain closed. The jaws open by pushing the handle back.

Scope of delivery: 1 unit of hand switches including tubes and fittings



TH205-4-M5 Hand switches

Pneumatic micro – hand switches, tubes and fittings, M5 connection

With locking function: The hand switches are directly installed at the grips, 3/2 directional valve. Only for single action rods with spring inside.

Scope of supply: 2 hand switches including tubes and fittings



TH216 Silent compressor for laboratories, oil-lubricated, with pressure reducer

Max pressure 16 bar; 230 V/50 HZ; noise level: 38 dB(A)

Motor: 0.13 kW; displacement: 17 l/min; tank size 3.5 l

Dimensions: 340x290x340 mm (L x W x H); weight 18 kg