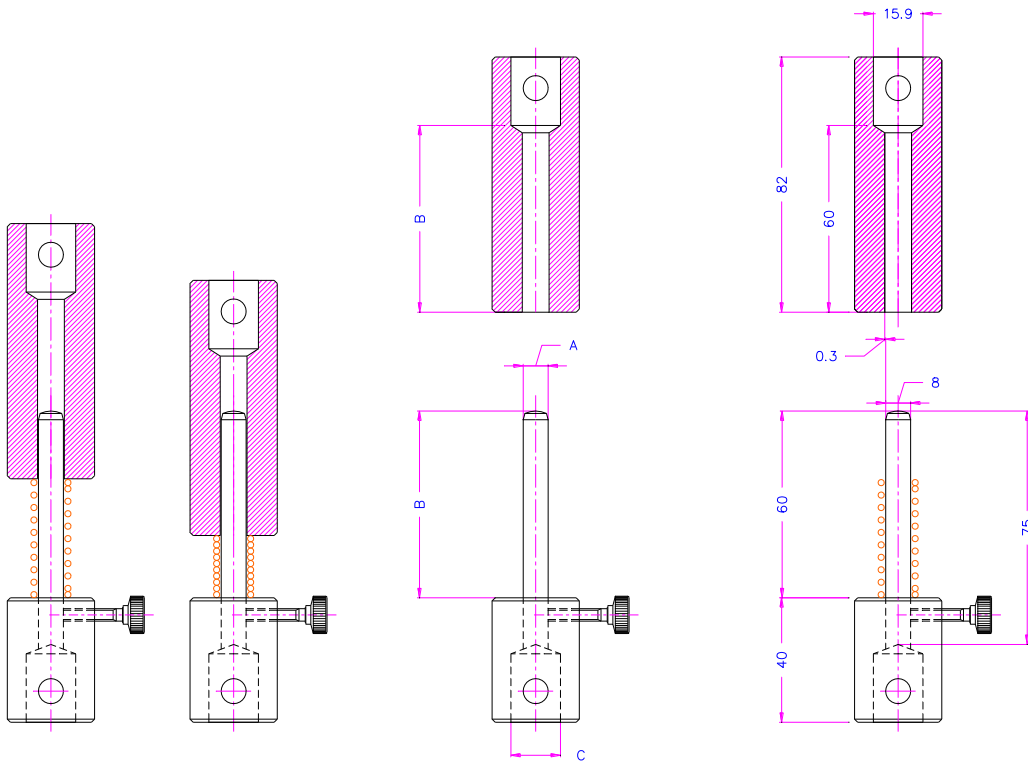


COMPRESSION SPRING TEST FIXTURE

Item no.: THS402-A-B-C

A = pin diameter
B = pin length
C = coupling

Max. load: Depends on coupling size
 Body: Steel
 Temperature range: 0 ... +70°C
 Further temperature ranges on request
 Scope of supply: 1 fixture



THS402-A-B-C

THS402-8-60-159

