

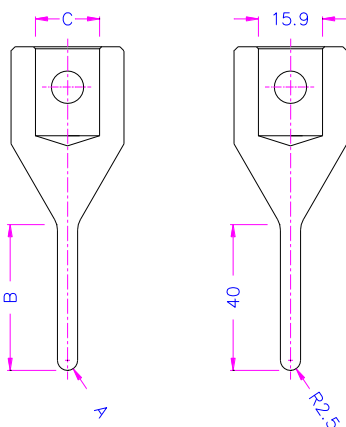
THS42 COMPRESSION TEST PROBES

Item no.:	THS42-A-B-C
A: probe tip type	
Rx = round tip with milled radius	
RxVA = V-shaped milled radius with angle A	
KD = probe tip with interchangeable ball D= ball diameter	
Fx = flat round tip; x = tip Ø; chamfer = 0 mm;	
FAxBxc = flat rectangular tip; AxB = dimensions; c = chamfer size	
B: probe length without adapter part	
C: coupling	
Max. load:	Depends on coupling and probe size
Standard coupling:	Af159 mm or Af20 mm Further coupling sizes on request
Material:	Hardened steel 58 HRC, nickel-plated
Temperature range:	-70°C ... +350°C
Scope of delivery:	1 compression probe incl. locking pin

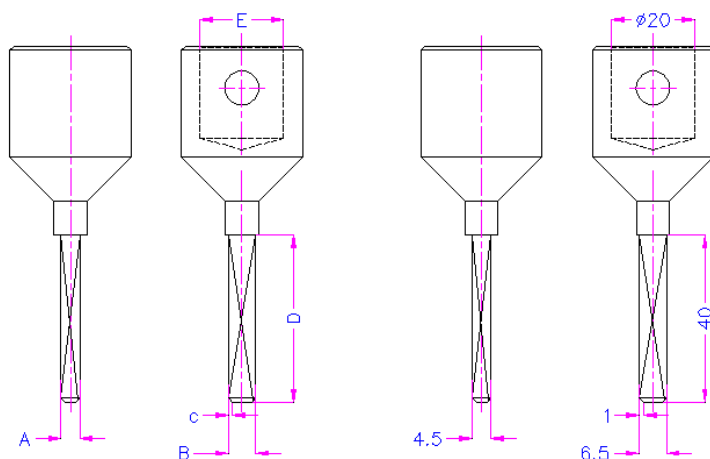


THS42-R2.5-40-Af159

Examples:



THS42-R2.5-40-Af159
Round tip with milled radius 2.5 mm



THS42-F4.5x6.5xc1-40-Af20
Flat rectangular tip, chamfer 1 mm

Further examples:



THS42-R1.5-70-Af159



THS42-R5-40-Af159



THS42-R0.5V60-70-Af159



THS42-R2V20-60-Af159



THS42-K10-80-Af159



THS42-K9.52-80-Am22